

LET-303-12 AC

SPECIFICATIONS

UL File Numbers

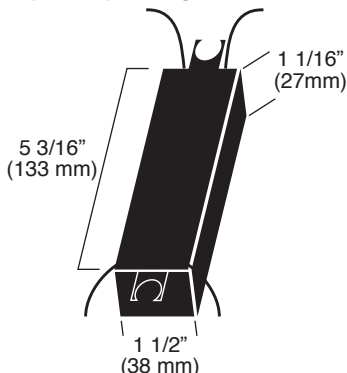
UL and C-UL Recognized
UL FILE # E 164062

Available Versions

901303000-Standard Version

Mechanical and Thermal

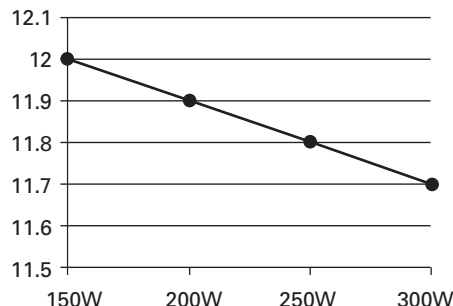
Dimensions 27mm x 38 mm x 133 mm
 Weight 11.02 ounces/330 grams
 Lead wire length 6"
 Max. case temp. 90°C
 Max. ambient temp. 35°C
 Output wire-blue-12 AWG 200°C
 Input wire-white/black-18AWG 150°C
 Aluminum casing
 Waterproof potting UL94V0



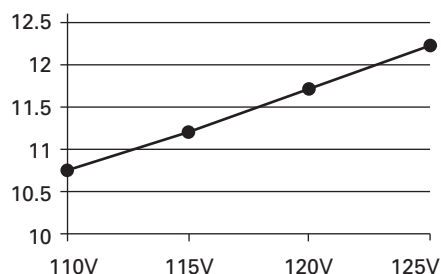
Electrical

Maximum load 300w
 Minimum load 50w
 Input 120V 60Hz
 Output at max load 11.7V 30kHz
 Input current at max. load 2.5A
 Output current at max. load 25.5A
 Power factor 0.985
 Max. harmonic distortion 9%
 Dimmable

Output Voltage vs. Load at 120V



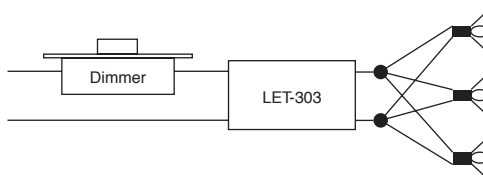
Output vs. Input at Max. Load



Protection

Auto-reset electronic short circuit and overload protection. Auto-Reset thermal cut-off @ 125C.

Wiring diagram



LET-303-24 AC

SPECIFICATIONS

Standards

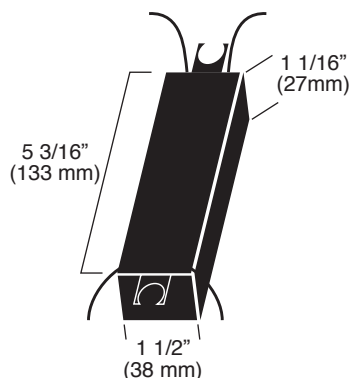
UL and C-UL Recognized
UL FILE # E 164062

Available Version

901303010-Standard Version

Mechanical and Thermal

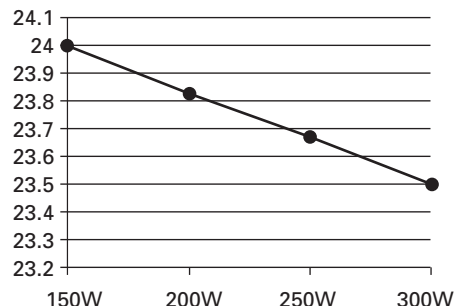
Dimensions (mm)	27 x 38 x 133
Weight	11.02 ounces/330 grams
Lead wire length	6"
Max. case temp.	90°C
Max. ambient temp.	35°C
Output wire-purple-14 AWG	200°C
Input wire-white/black-18AWG	150°C
Aluminum casing	
Waterproof potting	UL94V0



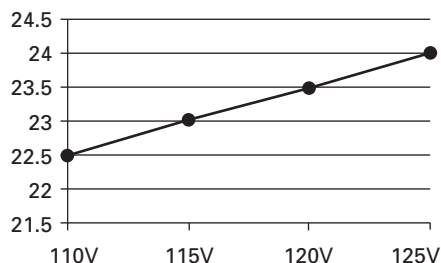
Electrical

Maximum load	300w
Minimum load	50w
Input	120V 60Hz
Output at max load	23.5V 30kHz
Input current at max. load	2.5A
Output current at max. load	13.3A
Power factor	0.985
Max. harmonic distortion	2.3%
Dimmable	

Output Voltage vs. Load at 120V



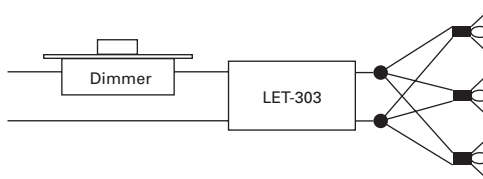
Output vs. Input at Max. Load



Protection

Auto-reset electronic short circuit and overload protection. Auto-Reset thermal cut-off @ 125C.

Wiring Diagram



LVT-303 AC

SPECIFICATIONS

UL File Numbers

UL and C-UL Listed
UL FILE # E 164062

Available Versions

901303070-LVT 303 12V
901303100-LVT 303 24V

Mechanical and Thermal

Dimensions (mm) 36 x 42 x 240
Dimensions (in.) 1 7/16 x 1 5/8 x 9 3/8
Weight 1.48 lbs/670 grams
Lead wire length 6"
Max. case temp. 90°C
Max. ambient temp. 35°C
Output wire-blue-12 AWG (12V) 200°C
Output wire-purple-14 AWG (24V) 200°C
Input wire-white/black-18AWG 150°C
Grounding Wire-green-18AWG 105°C
Aluminum inner casing
Steel outer casing
Waterproof potting UL94V0

Electrical

Load 50-300W
Input 120V 60Hz
Output at 300W/24V ver. 11.7V 30kHz
Output at 300W/24V ver. 23.5V 30kHz
Input current at 300W 2.5A
Output current at 300W/12V ver. 25.5A
Output current at 300W/24V ver. 13.3A
Power factor 0.985
Max. harmonic distortion 12V 9%
Max. harmonic distortion 24V 2.3%
Dimmable



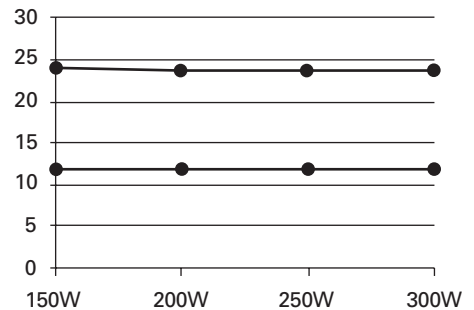
Inside the LVT



Power supply listed 7D 53

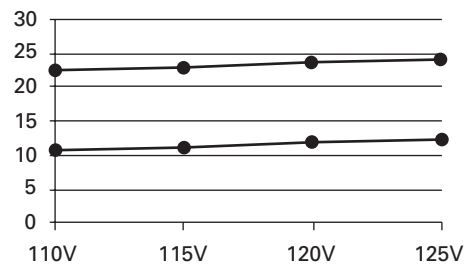
Output Voltage vs. Load at 120V

Top line -24V version Bottom line -12V version



Output vs. Input at Max. Load

Top line -24V version Bottom line -12V version



Protection

Auto-reset electronic short circuit and overload protection. Auto-Reset thermal cut-off @ 125C. Fuse on primary.

Wiring Diagram

