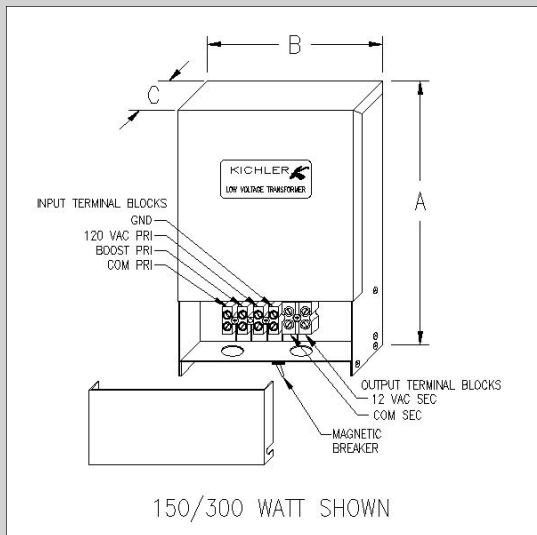


<http://waterheatertimer.org/Woods-timers-and-manuals.html#Power-pack>



## MAGNETIC PREMIUM TRANSFORMER

**Exclusively by Kichler**  
150 to 600\*\* Watts

### Features

- Epoxy encapsulated for quiet, cool operation
- Powder-painted case for maximum protection
- Auto reset thermal circuit breaker protects primary side
- Resettable magnetic circuit breaker protects secondary side
- Easy-opening case with 1/2" trade-size knockouts for hardwiring
- Primary 7% boost tap provided to compensate for voltage drop on long runs of 20' or more
- Fully dimmable using low-voltage magnetic dimmer on primary side
- Input/output connections are made at terminal block
- Labeling and complete operation instructions supplied
- UL and CUL listed, mounting hardware provided
- Available in White Gloss finish

### Electrical and Thermal Specs

- Input: Single 120V, 50/60 HZ
- Output: 12V
- Max load: see below
- Min load: 5W

**JOB NAME** \_\_\_\_\_

**FIXTURE TYPE** \_\_\_\_\_



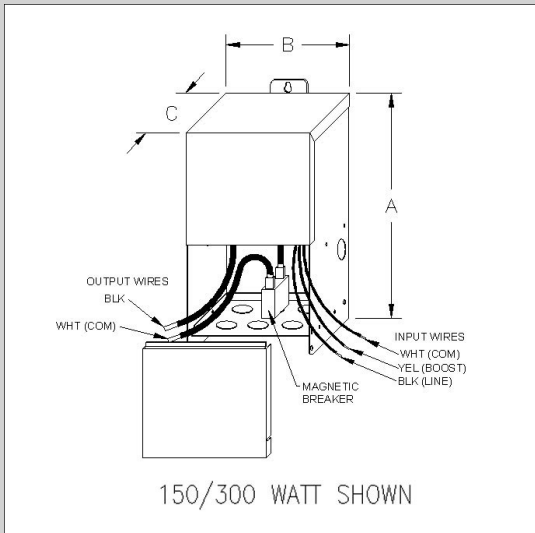
**For more information,  
visit [kichler.com](http://kichler.com)  
or call 888.412.4877**

**Kichler Linear Lighting**  
7711 East Pleasant Valley Road  
P.O. Box 318010  
Cleveland, Ohio 44131-8010

Ordering Information	Length(A)	Width(B)	Depth(C)*
<b>10207 WH</b> – 150-watt 12-volt Magnetic Breaker	10-1/4"	6-3/4"	2-13/32"
<b>10213 WH</b> – 300-watt 12-volt Magnetic Breaker	10-1/4"	6-3/4"	2-13/32"
<b>10211 WH</b> – 600-watt** 12-volt Magnetic Breaker	10-3/4"	6-3/4"	3-1/16"

\*As measured from mounting surface

\*\*Dual 300-watt



## MAGNETIC TRANSFORMER

150 to 1200 Watts

### Features

- Epoxy encapsulated for quiet, cool operation
- Powder-painted case for maximum protection
- Auto reset thermal circuit breaker protects primary side
- Resettable magnetic circuit breaker protects secondary side
- Easy-opening case with 1/2" trade-size knockouts for hardwiring
- Primary 7% boost tap provided to compensate for voltage drop on long runs of 20' or more
- Fully dimmable using low-voltage magnetic dimmer on primary side
- Input/output connections are made using pigtail leads except 1200 watt which uses pigtail leads on primary and terminal block for secondary connection
- Labeling and complete operation instructions supplied
- UL and CUL listed
- Available in Black finish

### Electrical and Thermal Specs

- Input: Single 120V, 50/60 HZ
- Output: 12V
- Max load: see below
- Min load: 5W

JOB NAME \_\_\_\_\_

FIXTURE TYPE \_\_\_\_\_



For more information,  
visit [kichler.com](http://kichler.com)  
or call 888.412.4877

Kichler Linear Lighting  
7711 East Pleasant Valley Road  
P.O. Box 318010  
Cleveland, Ohio 44131-8010

Copyright© All rights reserved  
Kichler® 2005  
ST105334

Ordering Information	Length(A)	Width(B)	Depth(C)*
10205 – 150-watt 12-volt Magnetic Breaker	8-13/16"	4-3/8"	4-1/16"
10204 – 300-watt 12-volt Magnetic Breaker	8-13/16"	4-3/8"	4-1/16"
10206 – 600-watt** 12-volt Magnetic Breaker	9-1/2"	5-3/8"	5"
10208 – 300-watt 24-volt Magnetic Breaker	8-13/16"	4-3/8"	4-1/16"
10209 – 600-watt 24-volt Magnetic Breaker	9-1/2"	5-3/8"	5"
10219 – 1200-watt <sup>Δ</sup> 24-volt Magnetic Breaker and Terminal Block	10-1/2"	6"	5-3/4"

\*As measured from mounting surface

\*\* Dual 300 watt

<sup>Δ</sup> Dual 600 watt

Specifications subject to change without notice.

## How to wire Kitchler low voltage transformer:

Connect one wire from each cable to one of the com terminals. The other wire from each cable has to connect to a tap terminal. The tap terminal will depend how many lights and the length of the cable.

For short cable runs like 25' use tap 1

Cable run 50' tap 2

Cable run 100' tap 3

More than 100' tap 4.

You may need to connect all three cables to the same tap terminal.

If you turn timer on and one string of lights is dimmer than the others, then move the tap connection from that wire to a higher number.

The tap terminals send out a little higher voltage the higher the tap number.

The object is to get the same light output of each light while compensating for the voltage drop of the cable.

How to set timer:

<http://waterheatertimer.org/How-to-set-timers.html>

