

<http://waterheatertimer.org/Paragon-timers-and-manuals.html>

PROCESS CONTROLS

Paragon's JW Series are cycle repeater controls that will repeat the selected time cycles as long as power is applied. These controls are most often found in agricultural and industrial applications. Easily installed, they are available in NEMA 3R or NEMA 1 enclosures to meet the requirements of any environment, no matter how rugged.

FEATURES & BENEFITS:

- ▶ ON time adjustable from 2% to 90% of full-scale dial means flexibility for users by offering a broad range of ON/OFF combinations.
- ▶ 100% ON or OFF settings allow users to bypass interval mode.
- ▶ Robust, sealed synchronous motor is more durable and reliable.
- ▶ Eight models that cover four dial ranges allow users to meet diverse application requirements.
- ▶ 120-Volt version is UL and CSA listed.



WHY ▶ *Specify Paragon*

Since 1903, Paragon has been the leader in time and process control technology. As inventor of the 24-hour time switch, Paragon's heritage of patents, unparalleled quality and solutions-driven innovations have made us one of the most recognized names in time control products.

PHYSICAL

JW Series

Aluminum enclosure

Dimensions

Width 3-1/2", Height 5-1/8", Depth 2-7/8", Diameter 2"

Weight Approximately 1 lb.

JW-PC Series

NEMA 3R non-metallic enclosure

Dimensions

Width 6-1/2", Height 9", Depth 3-7/8" with Clear-View cover.

Weight Approximately 2 lbs.

ENVIRONMENTAL

The JW Series should be mounted indoors in an area that is free of excessive contaminants such as oil, grease, dirt, etc.

The JW-PC Series is housed in a NEMA 3R non-metallic enclosure with a clear-view cover and is therefore suitable for both indoor and outdoor use.

HOW TO SPECIFY

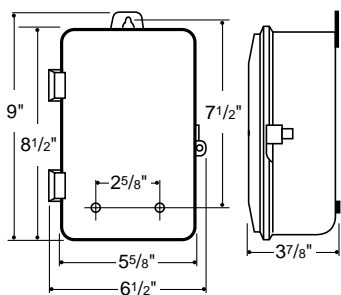
Installer shall furnish and install Paragon (model number) Percentage Timer with SPST switch. Contacts to be rated at 15 amperes at 120-240 volts. Graduation and range to be (see chart below.)

ELECTRICAL SPECIFICATIONS

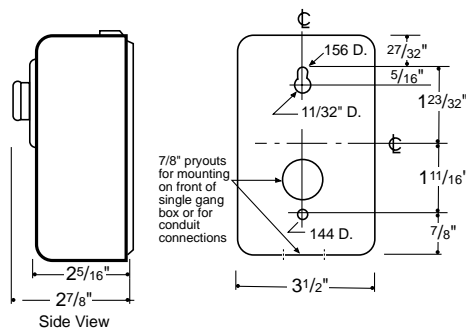
Model	Switch Type	Switch Rating Per Pole		AC Line		Graduations	Range
		Amp	Hp	Volts	Hz		
JW5-00	SPST	15	1/2	120	60	10 second	5 minute
JW5-20*	SPST	15	1/2	240	60	10 second	5 minute
JW5-00PC	SPST	15	1/2	120	60	10 second	5 minute
JW5-20PC*	SPST	15	1/2	240	60	10 second	5 minute
JW10-00	SPST	15	1/2	120	60	12 second	10 minute
JW10-20*	SPST	15	1/2	240	60	12 second	10 minute
JW10-00PC	SPST	15	1/2	120	60	12 second	10 minute
JW10-20PC*	SPST	15	1/2	240	60	12 second	10 minute
JW30-00	SPST	15	1/2	120	60	30 second	30 minute
JW30-20*	SPST	15	1/2	240	60	30 second	30 minute
JW60-00	SPST	15	1/2	120	60	60 second	60 minute
JW60-20*	SPST	15	1/2	240	60	60 second	60 minute

*Not UL listed.

MOUNTING DIMENSIONS

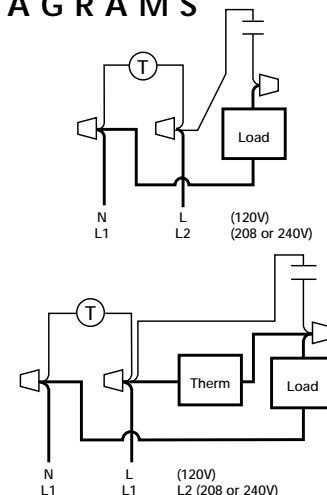


JW-PC Series: NEMA 3R non-metallic enclosure.



JW Series: Aluminum enclosure.

TYPICAL WIRING DIAGRAMS



Shown with Therm Override