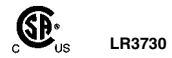


# MODEL: T51311BC THREE CIRCUIT SEVEN DAY TIMING CONTROL CENTER WITH SPRING-WOUND CARRY-OVER MOTOR

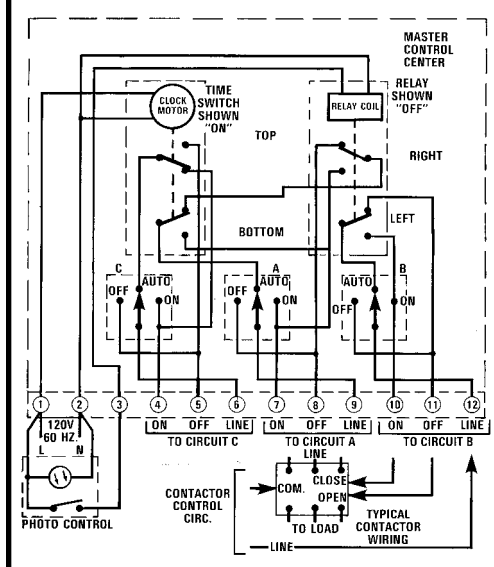
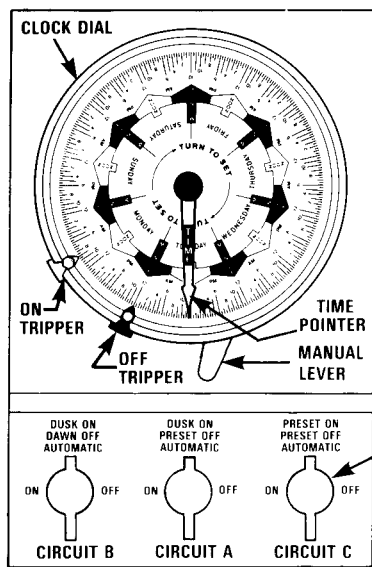


CIRCUIT A: PHOTO CONTROL ON-TIME SWITCH OFF  
CIRCUIT B: PHOTO CONTROL ON-PHOTO CONTROL OFF  
CIRCUIT C: TIME SWITCH ON-TIME SWITCH OFF

### CONTACT RATINGS:

15 AMP., 1/2 H.P. - 125 OR 250 VOLTS A.C.  
420 V.A. PILOT DUTY, 150 WATTS TUNGSTEN -120V A.C.  
TO CONTROL MECHANICALLY HELD AND MAGNETIC CONTACTORS  
(MAY ALSO BE USED WITH 24 VOLT SYSTEMS IF WIRED IN ACCORDANCE  
WITH NATIONAL ELECTRICAL CODE REGULATIONS.)

**CLOCK MOTOR AND PHOTO CONTROL: 120 VOLTS - 60 HZ.**



### WIRING INSTRUCTIONS

This center can be programmed to control any lighting and other loads on three circuits on a seven day schedule with selected day(s) of the week omitted from circuits **A** and **C**. For terminal markings refer to diagram above. Follow national or local electrical code regulations and complete wiring as shown. Turn selector switches (bottom front panel) to **OFF**. Replace panel before turning on electricity. Test each circuit individually.

### PROGRAMMING INSTRUCTIONS

- 1. THE PHOTO CONTROL (INSTALLED OUTSIDE)** selects the "ON" times for circuits **A** and **B** and the "OFF" times for circuit **B** depending on time of season. If fine adjustment is needed move slide on photo control to retard/advance "ON" time. (It will also affect the "OFF" time for circuit **B**.)
- 2. TO SET "OFF" TIMES FOR CIRCUIT C** place bright **ON** trippers on dial edge at day-of-week and time-of-day when "ON" operations are desired. They must be set at times with in the daylight hours of winter. **NOTE:** In order to reset time switch every **OFF** tripper on dial must be followed by an **ON** tripper if circuits **A** and **C** are used.
- 3. TO SET COMMON "OFF" TIMES FOR CIRCUITS A AND C** place dark **OFF** trippers on dial edge at times when "OFF" operations are desired.
- 4. TO SKIP DAYS ON CIRCUITS A AND C** omit trippers for the day(s) automatic operation(s) is/are not required. (Circuit **B** is independently controlled by the photo control.)
- 5. TO SET DIAL TO TIME-OF-DAY** turn dial clockwise and align the exact day-of-week and time-of-day (AM or PM) on dial with the time pointer. Some allowance may be required to compensate for gear backlash. **CAUTION: Do not force dial counterclockwise or move time pointer.**

### OPERATING INSTRUCTIONS

- 1. THE THREE POSITION SELECTOR SWITCHES** provide manual control of the three circuits. When turned to **ON** or **OFF**, lights or other loads will remain **ON** or **OFF** until the switch is manually reset. With a switch in **AUTOMATIC** position, operations will follow the preset program of the center.
- 2. IN CASE OF EXTENDED POWER FAILURE OR NEED TO ADVANCE/RETARD TIME** place selector switches in **OFF** position. Reset time-of-day, see step 5 of programming instructions. Then turn selector switch to **ON** or **AUTOMATIC**.

**BEFORE ANY BEHIND-THE-PANEL WORK DISCONNECT ELECTRICITY**

**INTERMATIC INCORPORATED**  
SPRING GROVE, ILLINOIS 60081-9698