

MODEL: T51211BC

TWO CIRCUIT SEVEN DAY TIMING CONTROL CENTER WITH SPRING-WOUND CARRY-OVER MOTOR



LR3730

CIRCUIT A: PHOTO CONTROL ON-TIME SWITCH OFF

CIRCUIT B: PHOTO CONTROL ON-PHOTO CONTROL OFF

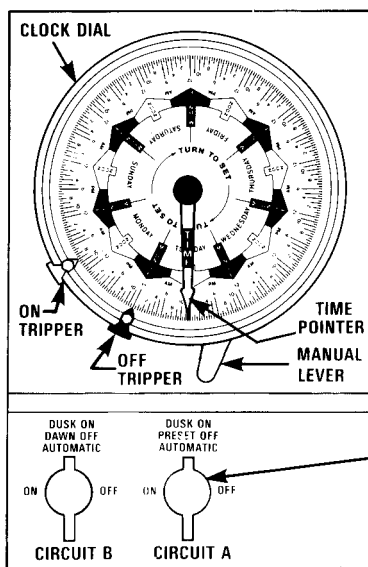
CONTACT RATINGS:

15 AMP., 1/2 H.P. - 125 OR 250 VOLTS A.C.

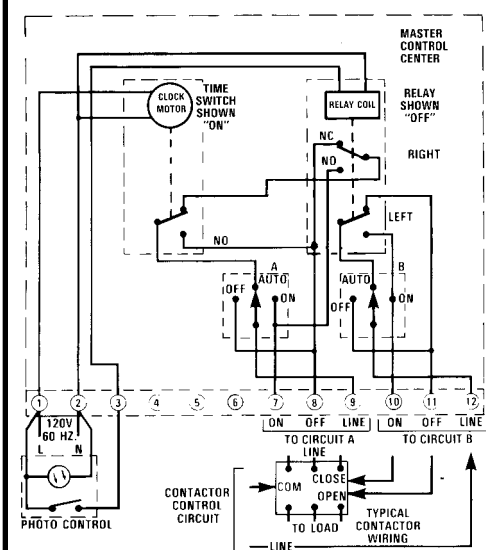
420 V.A. PILOT DUTY, 150 WATTS TUNGSTEN -120V A.C.

TO CONTROL MECHANICALLY HELD AND MAGNETIC CONTACTORS
(MAY ALSO BE USED WITH 24 VOLT SYSTEMS IF WIRED IN ACCORDANCE
WITH NATIONAL ELECTRICAL CODE REGULATIONS.)

CLOCK MOTOR AND PHOTO CONTROL: 120 VOLTS - 60 HZ.



SELECTOR SWITCH



WIRING DIAGRAM

WIRING INSTRUCTIONS

This center can be programmed to control any lighting and other loads on two circuits, on a seven day schedule with selected day(s) of the week omitted from circuit **A**. For terminal markings refer to diagram above. Follow national or local electrical code regulations and complete wiring as shown. Turn selector switches (bottom front panel) to **OFF**. Replace panel before turning on electricity. Test each circuit individually.

PROGRAMMING INSTRUCTIONS

1. **THE PHOTO CONTROL (INSTALLED OUTSIDE)** selects the "ON" times depending on time of season. If fine adjustment is needed move slide on photo control to retard/advance "ON" time.
2. **TO SET "OFF" TIMES** Place dark **OFF** trippers firmly against dial edge at day-of-week and time-of-day when lights are to turn off. **NOTE:** In order to reset time switch, every **OFF** tripper on dial must be followed by an **ON** tripper. Fasten a bright **ON** tripper to dial at any time within the day-light hours of winter, preferably 12 o'clock noon.
3. **TO SKIP DAYS ON CIRCUIT A**, omit trippers for the day(s) automatic operation(s) is/are not required (Circuit B is independently controlled by the photo control).
4. **TO SET DIAL TO TIME-OF-DAY** turn dial clockwise and align the exact day-of-week and time-of-day (AM or PM) on dial with the time pointer. Some allowance may be required to compensate for gear backlash. **CAUTION: Do not force dial counterclockwise or move time pointer.**

OPERATING INSTRUCTIONS

1. **THE THREE POSITION SELECTOR SWITCH** provide manual control of the two circuits. When turned to **ON** or **OFF**, lights or other loads will remain **ON** or **OFF** until the switch is manually reset. With a switch in **AUTOMATIC** position, operations will follow the preset program of the center.
2. **IN CASE OF EXTENDED POWER FAILURE OR NEED TO ADVANCE/RETARD TIME** place selector switch in **OFF** position. Reset time-of-day, see step 4 of programming instructions. Then turn selector switch to **ON** or **AUTOMATIC**.

BEFORE ANY BEHIND-THE-PANEL WORK DISCONNECT ELECTRICITY

INTERMATIC INCORPORATED
SPRING GROVE, ILLINOIS 60081-9698