

**INTERMATIC®**  
TIME CONTROLS

**Model T-1905**

## PROGRAM TIME SWITCH

FOR UP TO 48 TIMING OPERATIONS

ON 24 HOUR SCHEDULE

SINGLE POLE DOUBLE THROW

LISTED



LR3730

SWITCH RATING: 20 AMP. 125-480 VOLTS A.C., ½HP-125V, 1HP-250V.

**CLOCK MOTOR: 125 VOLTS - 60 HZ.**

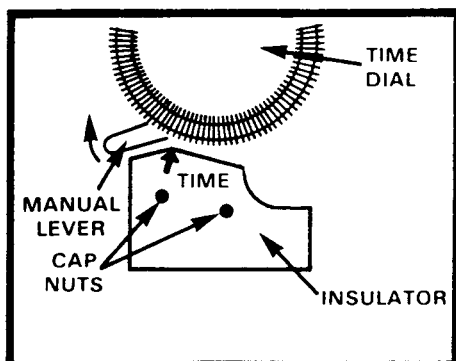
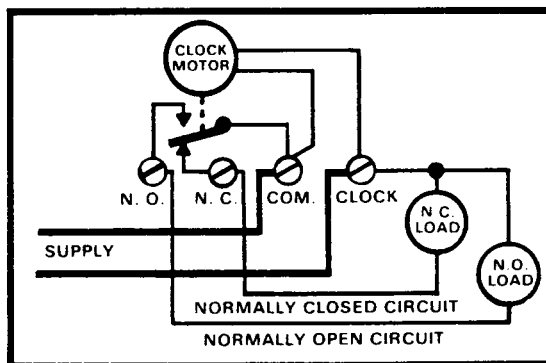


FIG. 1



WIRING DIAGRAM

### WIRING INSTRUCTIONS

This Time Switch can be wired to control two circuits as Single Pole Double Throw, or to control one circuit as Single Pole Single Throw. Either normally open (NO) or normally closed (NC). To wire switch see wiring diagram above.

### PROGRAMMING INSTRUCTIONS

- TO PROGRAM TIME SWITCH**, Depress tripper(s) into dial at desired time(s) operation(s) is/are required.
  - **ON TIME**: First tripper turns on the load for 16-20 minutes. Each additional tripper will lengthen the on time by 15 minutes.
  - **OFF TIME**: First tripper in raised position turns off the load for 10-14 minutes. Each additional space will lengthen the off time by 15 minutes.
- SET TIME-OF-DAY**; Turn dial in clockwise direction only and align the exact time-of-day on dial (the time when switch is being put into operation) to the "TIME" arrow on insulator.

### OPERATING INSTRUCTIONS

**TO CONTROL LOADS MANUALLY**, Move manual lever (See Figure 1) up. This lever will close normally open circuit and open the normally closed circuit. To return to automatic control, move lever back to its original position.

**IN CASE OF POWER FAILURE**, reset dial. See step(2) of programming instructions.

**TO REMOVE MECHANISM FROM CASE**, Disconnect electricity and all wiring. Depress retainer spring at upper left, or unscrew mounting screws, then grasp dial and pull mechanism out.

**INTERMATIC INCORPORATED**

SPRING GROVE, ILLINOIS 60081