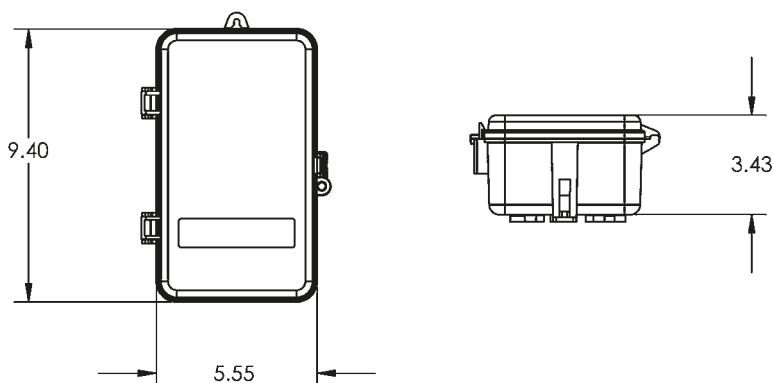


InTouch™ Wireless Controls

Model CA3750

Multi-Voltage High Current Contactor Module



APPLICATIONS

- Heavy duty contactor for load shedding applications.
- Features switching of lighting, inductive, motor or resistive loads up to 30 Amps
- Multi-volt 120, 208, 240 or 277 VAC operation

SPECIFICATIONS

Operating Temperature Range: -4°F (-20°C) to 140°F (60°C)

Power Consumption: 6.0W Maximum

Ratings: 120, 208, 240, 277VAC, 50/60Hz 6600 Watts
30 A Resistive; 5500VA 25 A Inductive; 5540 Watts
20 A @ 277VAC Ballast; 4400 Watts 20 A Tungsten;
3HP @ 220VAC Motor

Enclosure: NEMA 3R Indoor-Outdoor Polycarbonate Case

Connections: 1-Neutral/Line 2, 2-Line 1, 3 & 4
Contact 1, 5 & 6 Contact 2

RF INFORMATION

Minimum Range: 50ft indoor; 100ft outdoor

Frequency: 908.42 MHz

NETWORK INFORMATION

Mesh Network: Each line powered node acts as a repeater to route distant signals.

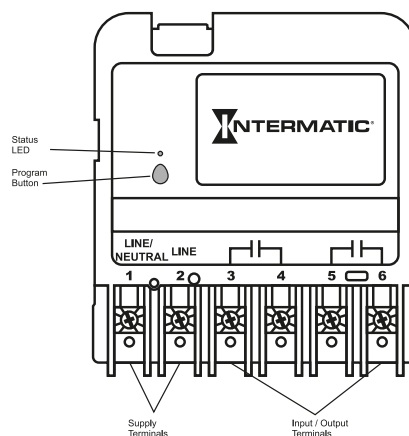
Data Rate: 9600 bits/second

Size: 232 Z-Wave Nodes

The CA3750 Multi-Voltage High Current Contactor Module is a Z-Wave™ enabled device which is fully compatible with any Z-Wave enabled network. Z-Wave enabled devices display the Z-Wave logo and guarantee connectivity and interoperability between devices. Each node in a Z-Wave network is designed to act as a repeater forming a mesh network eliminating radio “dead spots”

Features

- Multiple location ON/OFF control of contactor when used with wireless controls.
- Multi-Voltage power supply 120, 208, 240 or 277 VAC
- Field configurable outputs, 2 independently controllable SPST contacts or simultaneous DPST
- Up-front activator switch always operates load, does not require central control system.



Installation Data

