

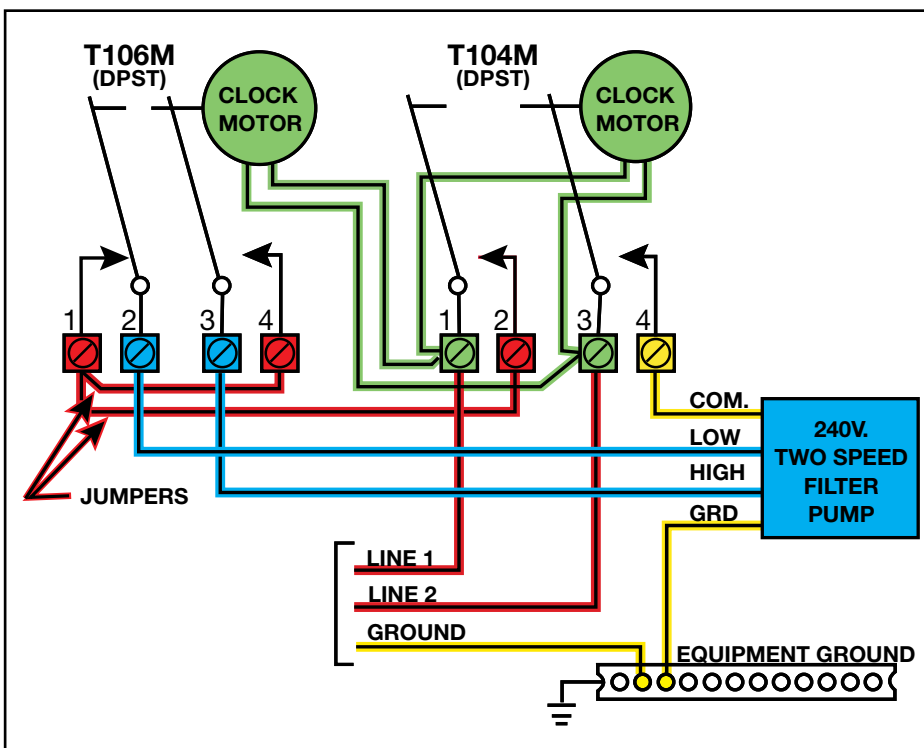
Mechanical Timing Controls For Two-Speed Pump Applications (Basic Wiring Information)

Wiring a two-speed pump to an Intermatic mechanical timing control requires the use of both the T104M and the T106M.

The T104M has a DPST (double pole, single throw) mechanical switch. In a two-speed pump application it will turn the pump ON and OFF.

The T106M has an SPDT (single pole, double throw) mechanical switch. This timer is used to change the speed of the pump. The T106M can be wired so that the pump turns on at low speed (as shown in the wiring diagram below) or at high speed. The ON/OFF trippers are used to switch the speed of the pump.

The clock motor leads of both timers are connected to the line side of the T104M. This ensures that both clocks will be powered and keep the same time.



The wiring diagram above shows the low speed of the pump on terminal 2 of the T106M (the normally closed contact). In this case, the pump will run in low speed. When the T104M is turned to the ON position.

Front View T106M – T104M



Rear View T104M – T106M

