

# High-Altitude DIP Switch Adjustments

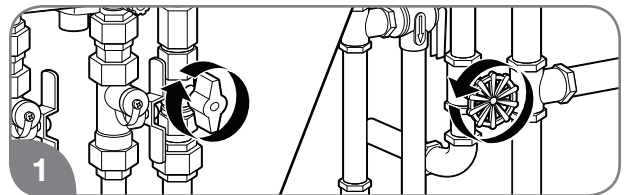
<http://waterheatertimer.org/Troubleshoot-Rheem-Tankless-water-heater.html>

## High-Altitude DIP Switch Adjustments

When the water heater is installed above 3,280 ft. (1,000 m), the settings on the DIP switch located on the printed circuit board (PCB) need to be changed. If these settings are not changed, the water heater may not function properly.

**NOTICE:** If the water heater is installed under 3,280 ft. (1,000 m) altitude, no action is required.

Verify the altitude that the water heater is installed.



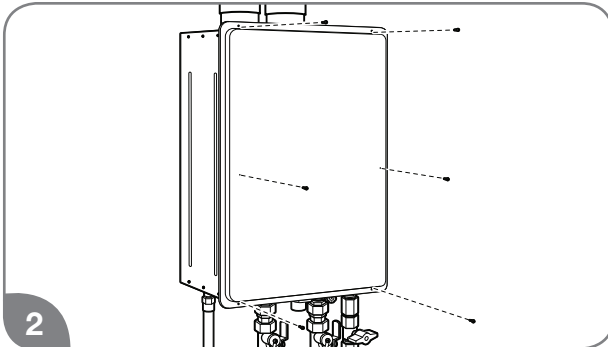
Turn off the gas and water to the water heater by closing the shut-off valves. The OFF position is DOWN.

Start/Adjust

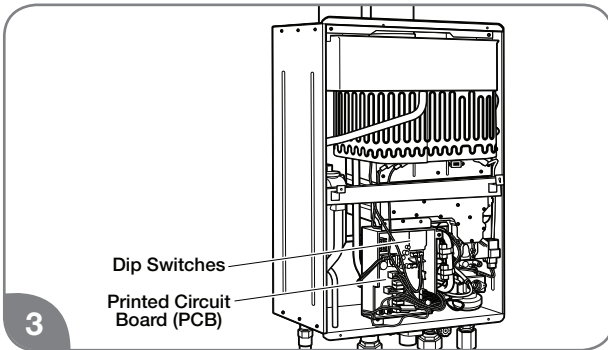
# INSTALLATION INSTRUCTIONS



## High-Altitude DIP Switch Adjustments (cont.)

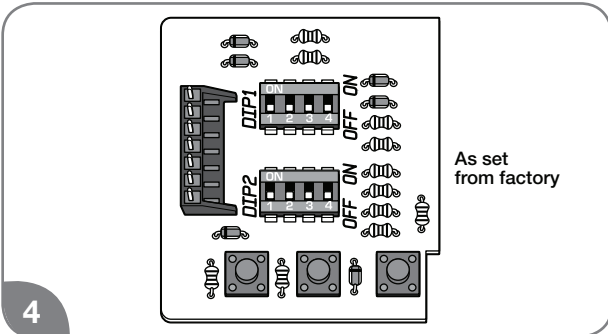


Remove the front cover panel on the water heater.



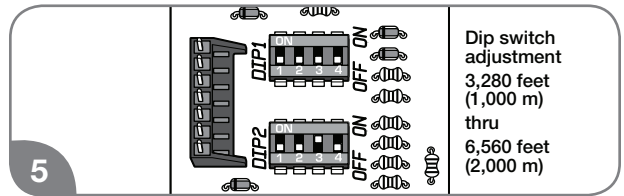
Dip Switches  
Printed Circuit Board (PCB)

Find DIP Switch 2 located in the top-right portion of the PCB. The switch labeled “DIP 2” is the bottom switch.



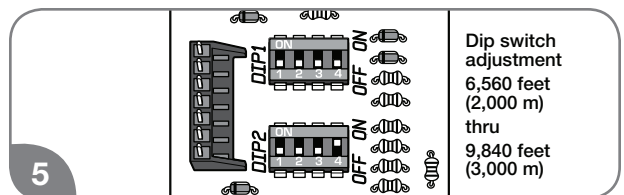
As set from factory

The factory settings for this switch should all be in the OFF position (DOWN).



Dip switch adjustment  
3,280 feet  
(1,000 m)  
thru  
6,560 feet  
(2,000 m)

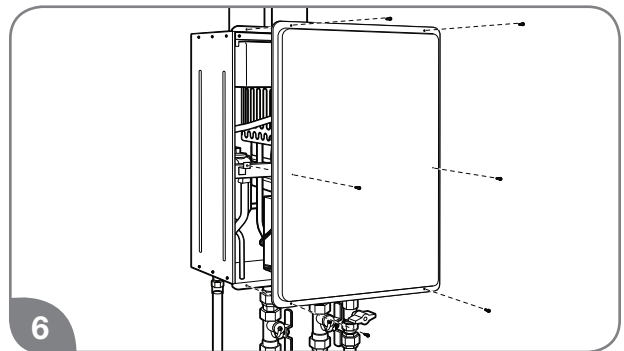
If altitude is above 3,280 ft. (1,000 m) and below 6,560 ft. (2,000 m), change the third switch on “DIP 2” to the ON position (UP).



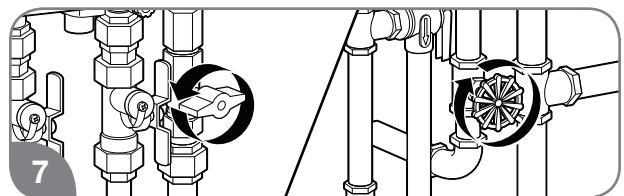
Dip switch adjustment  
6,560 feet  
(2,000 m)  
thru  
9,840 feet  
(3,000 m)

If altitude is above 6,560 ft. (2,000 m) and below 9,840 ft. (3,000 m), change the fourth switch to the ON position (UP).

**NOTICE:** Do not alter any other DIP switch settings. The manifold pressure will be reduced accordingly.



Replace the front cover panel.



Turn on the gas and water to the water heater by opening the shut-off valves.