

# Monomat

# Monomat



Ref. : 10001

## Time switches for modular boards 1 module, 1 channel

### Features

- 1 channel analogical time switch intended to control heating, lighting, watering, access control, etc.
  - Easy programming by fixed segments.
  - Easy time setting and programming

- Pivoting protective cover.
- Connection by protected cage terminals.
- 2-position manual control, Auto and pre-set run.

### Functional characteristics

Cycle	24 hours	7 days
Programming in steps of	15 min.	1 h. 45 min.
Minimum interval between 2 switchings	15 min.	1 h. 45 min.
Minimum number of switchings per cycle	96	96
Switching precision	2 min. 30 sec.	15 min.

### Technical characteristics

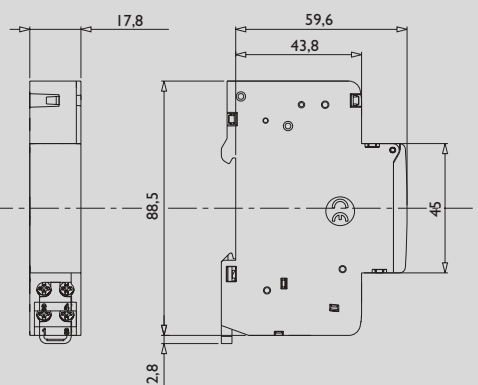
Power supply	230 V ± 10%
Frequency	50 / 60 Hz
Absorbed power	approx. 0,5 VA
Changeover contact	Resistive load 16 A / 250 V
potential free	Inductive load (cos φ = 0.6) 4 A / 250 V
Operating precision	1 sec / 24 h
Operating temperature	-10°C to +55°C
Storage temperature	-10°C to +55°C
Connection by cage terminals, conductor cross section	1 to 4 mm <sup>2</sup>
Conformity to the EN 60.730 standard	yes

Performances indicated for an ambient temperature of 20° C

### References

References	Cycle	Power reserve	Contact	Width
<b>10001</b>	24 h	-	— 16 (4) A	1 module
<b>10002</b>	24 h	200 h	— 16 (4) A	1 module
<b>10702</b>	7 d	200 h	— 16 (4) A	1 module

### Dimensions



### Mounting

