

# Monotron 100

# Monotron



Ref. : 20702

## Time switches for modular boards 1 module, 1 channel

### Features

- 3 versions : daily and weekly pre-programmed and weekly version with free programming. Digital time switch 1 module, supplied ready for wiring :
- Time set in factory.
  - 1 program operational (P2) at power on (for the pre-programmed versions).
  - Pre-recorded programs (timing can be changed) corresponding to the most common applications : heating, lighting, defrosting, etc.
  - Time setting and program timing can be modified by the user.
  - Large display.
  - Transparent, sealable cover.

### Functional characteristics

- **Monotron 124, daily version :**  
5 pre-recorded programs, 6 switchings max. per day.
- **Monotron 107, weekly version :**  
10 pre-recorded programs, 6 switchings max. per day.
- **Monotron 107 P, weekly version :**  
free programming (20 program steps).
- Programming in steps of 1 minute.
- Power reserve by lithium battery : cumulates 3 years of main power line interruptions.
- Service life of battery : 10 years minimum.
- Manual override ON/OFF.

### Technical characteristics

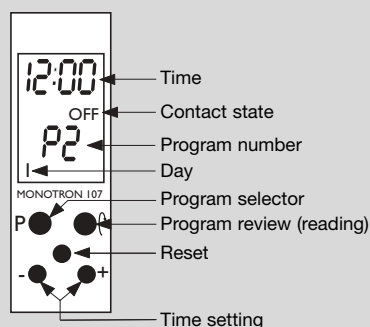
Power supply	230 V ± 10 %
Frequency	50 Hz
Absorbed power	approx. 1 VA
Changeover contact	Resistive load 16 A / 250 V
at free potential	Inductive load (cos φ = 0.6) 3 A / 250 V
Operating precision	1 sec. / 24 h.
Operating temperature	-10°C to +50°C
Storage temperature	-10°C to +60°C
Connection by cage terminals, conductor cross section	0,5 to 4 mm <sup>2</sup>
Conformity to the EN 60.730 standard	yes

Performances indicated for an ambient temperature of 20° C

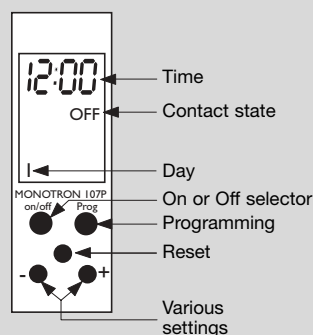
### References

References	Designation	Cycle	Power reserve	Contact	Width
20001	Monotron 124	24 h	Lithium battery	16 (3) A	1 module
20701	Monotron 107	7 d	Lithium battery	16 (3) A	1 module
20702	Monotron 107P	7 d	Lithium battery	16 (3) A	1 module

#### Product Presentation Ref. : 20701



#### Ref. : 20702



#### Electrical connection



#### Mounting

