

Mediatron 1 and 2

**Time switches with annual calendar,
2 or 4 radio synchronized channels**

Features

- 2- or 4-channel digital time switch intended to control heating, lighting, watering, bell ringing, access control, etc.
 - Weekly programming with possibility of programming specific periods during the year.
- Radio synchronized on the DCF 77 Frankfurt relay only in association with the antenna supplied as an option.



Ref. : 22201



Ref. : 23890



Ref. : 22299

Functional characteristics

- Winter/summer time corrections pre-programmed or automatic with DCF 77 antenna.
- Permanent run or stop pre-setting.
- Permanent run or stop override with return to next program step.
- Programmable run or stop pre-setting from date to date.
- Pulse-driven running from 1 sec to 59 sec.
- 15 programmable weekly cycles for override periods.
- Display of the number of free programming steps (102 program steps).
- Mediatron 1 and 2 is supplied with a programming key.
- Programming by key and via the key by PC using an interface and a software (ref. 23891) or USB version.

Technical characteristics

	Mediatron 1 and 2	Antenna
Power supply	230 V ±10 %	-
Frequency	50 / 60 Hz	-
Absorbed power	0,5 VA	-
Changeover contact potential free	charge résistive	10 A / 250 V
	charge inductive (cos φ = 0,6)	2 A / 250 V
Operating precision (with antenna)	1sec. / 10 ⁶ years	-
Cycle	1 year	-
Operating temperature	-5°C to +50°C	-10°C to +50°C
Storage temperature	-20°C to +70°C	-10°C to + 50°C
Connection by stirrup terminals, conductor cross section	1 to 4 mm ²	-
Insulation class	-	II
Degree of protection	-	IP 65 / IK 03
Conformity to the EN 60.730 standard	yes	-

Performances indicated for an ambient temperature of 20° C

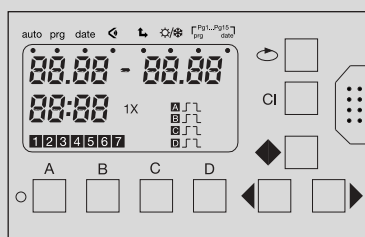
References

References	Designation	Power reserve	Contacts	Width
22201	Mediatron 2	10 years	3 x 10 (2) A + 1 - 10 (2) A	4 modules
22200	Mediatron 1	10 years	2 x 10 (2) A	4 modules

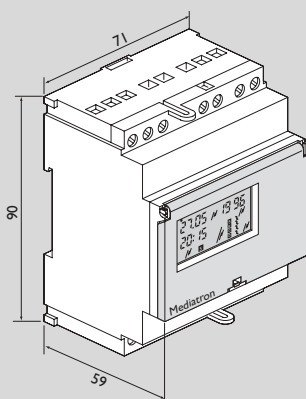
Accessories

22299	Antenna DCF 77
23890	Blank programming key
23891	Interface and programming software by PC
23895	Interface and programming software by PC, USB version

Product Presentation : Ref. : 22201



Dimensions



Mounting : Switch



Antenna

