

SPECIFICATION SHEET

Turnus 771

PRODUCT/ORDER CODE

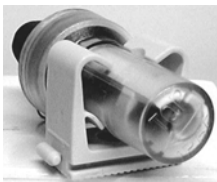
Turnus 771 / TURNUS7711 dusk/dawn controller / timer

The Turnus 771 is a combined seven-day digital timer and photo-electric control device. The remote sensor -which can be mounted up to 100 metres away from the controller - detects ambient light level. The load is controlled by pre-setting on the din-rail device the lux level at which switching should occur, as well as the timing of the event. The result being that switching only occurs after a certain time, if the ambient light is below a pre-determined level.

Technical specification:



Turnus 771



Remote sensor

Dimensions 85 x 52.5 x 60 (1 module)

Weight 250g

AC switching capacity:

- resistive load 16A 250v AC

- inductive load cos ϕ 0.6 8A 250v AC

- incandescent lamp load 2000W

Contact type volt-free changeover

Program spaces 20

Minimum switching time 1 minute

Memory backup 3 years from factory

Ambient temperature

Control unit -20⁰C to +55⁰C

Sensor -30⁰C to +70⁰C

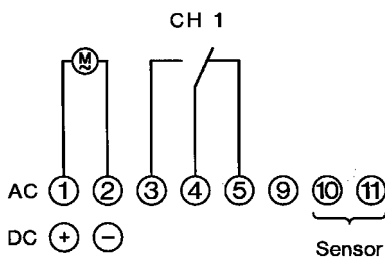
Adjustment range 2 lux – 500 lux

Hysteresis Approx. factor 1.3 of ON value

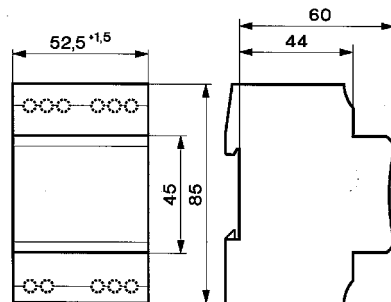
Protection type:

Control unit IP20

Sensor IP65



Wiring diagram



Dimensional details