

**SPECIFICATION SHEET**

**Tactic 371.1**

**PRODUCT/ORDER CODE**

Tactic 371.1 (DIGI20AE1)      single channel      16 Amps

This product is suitable for surface, panel and din-rail mounting. The backplate provided is suitable for panels up to 2mm thickness. An optional terminal block is included for panels greater than 2mm. When panel mounting, connection is possible without accessories by use of ¼" (6.3mm) tab terminal receptacle connectors (not provided).

This digital time switch has 20 programme spaces. Day group programming is Mon – Sun; Mon – Sat; Mon – Fri; Sat – Sun or any individual day. All programme spaces can be set for any time / day combination, and either ON or OFF functions. If all spaces are used for seven day switching operations, it is possible to set a maximum of 140 switching operations.

**Technical specification:**

Control panel cutout	68 x 68 mm
Weight	182g
AC switching capacity:	
- resistive load	16A 250v AC
- inductive load cos Ø 0.6	2.5A 250v AC
- incandescent lamp load	1000W
- fluorescent or SON lamp load	60W
Minimum switching current	100mA (20v) AC/DC
Contact type	volt-free changeover
Ambient temperature	-10°C to +55°C
Accuracy	typically ± 2.5 sec. / day @ 20°C
Battery back – up	5 hours
Battery charging time	24 hours
Minimum switching time	one minute
Manual override	fix ON / fix OFF / advance ON/OFF (advance is self- resetting)



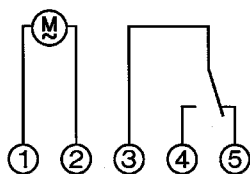
Surface / din-rail mounting



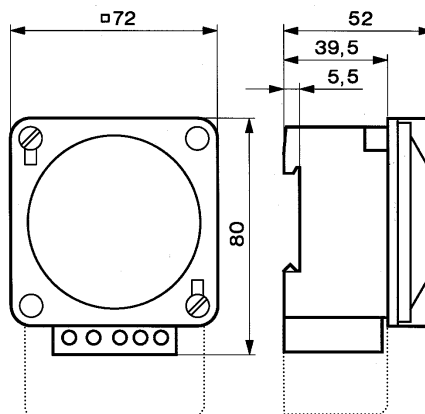
Panel mounting



Terminal block



Tactic 371.1 wiring



Tactic 371.1 dimensions – dimension over terminal cover: 106mm  
Panel mounting cutout: 66mm □