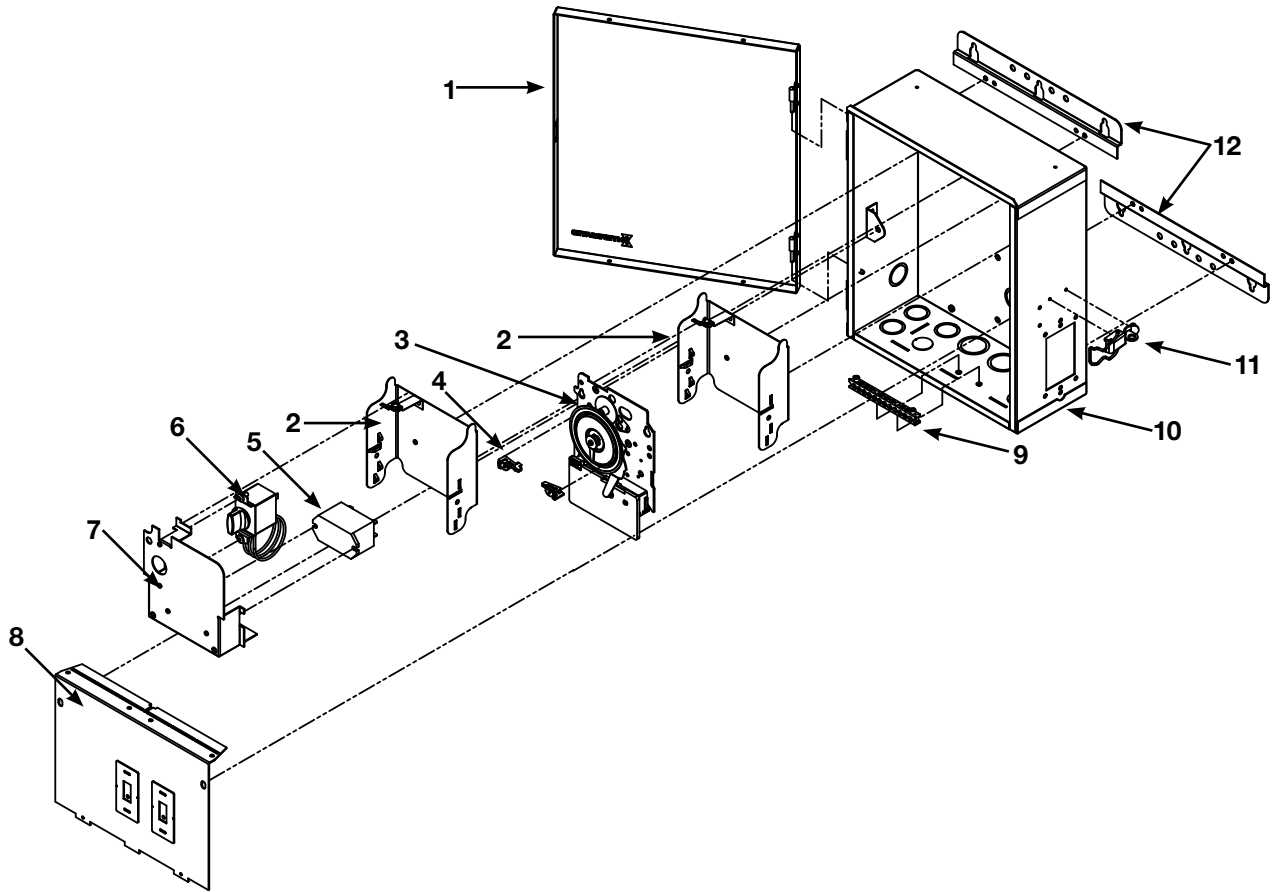


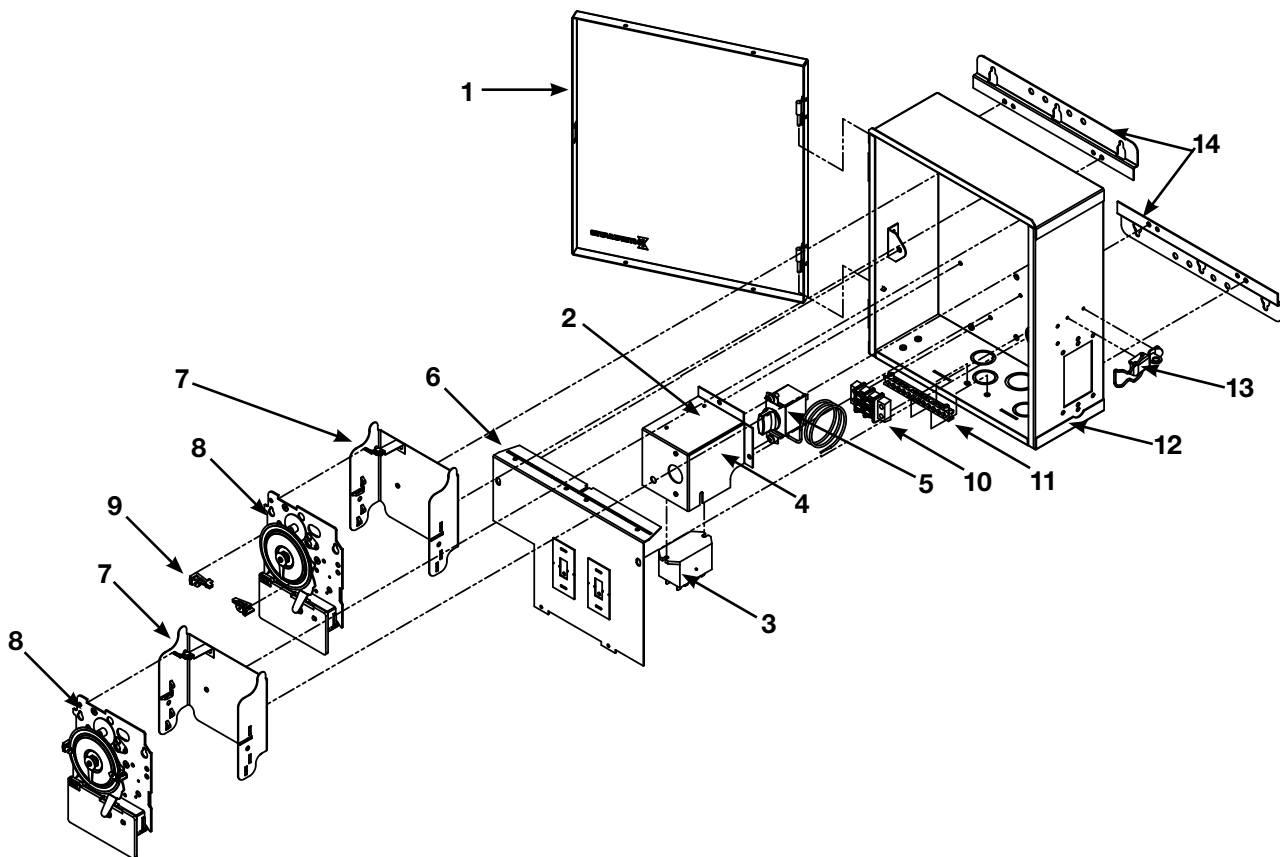
## PF1112T Power Center with Freeze Protection



Item No.	Description	Part No.	Shipping Weight (lb.)	*List Price (\$)
1	Cover - Enclosure	6TP2819A-WWH	3.0	31.20
2	Bracket - Time Switch	22T338GR	0.8	10.61
3	Time Switch Mechanism	T104M	1.5	148.87
4	Tripper - Time Switch (1) ON (1) OFF per pack	156T1978A	0.3	3.65
5	Relay	143T135	0.5	54.29
6	Thermostat	178T24	1.0	55.29
7	Plate - Mechanism	24--00021-SCR1	1.0	19.67
8	Plate - Dead Front	24TP6019-WWH	1.5	16.10
9	Terminal Bar - Grounding	130T1042	0.5	7.37
10	Case - Enclosure	2TP3388A-WWH	6.0	73.10
11	Latch - Enclosure	8--00008A	0.3	8.05
12	Bracket - Enclosure ea.	22T713	1.0	4.10

\* Prices are subject to change without notice

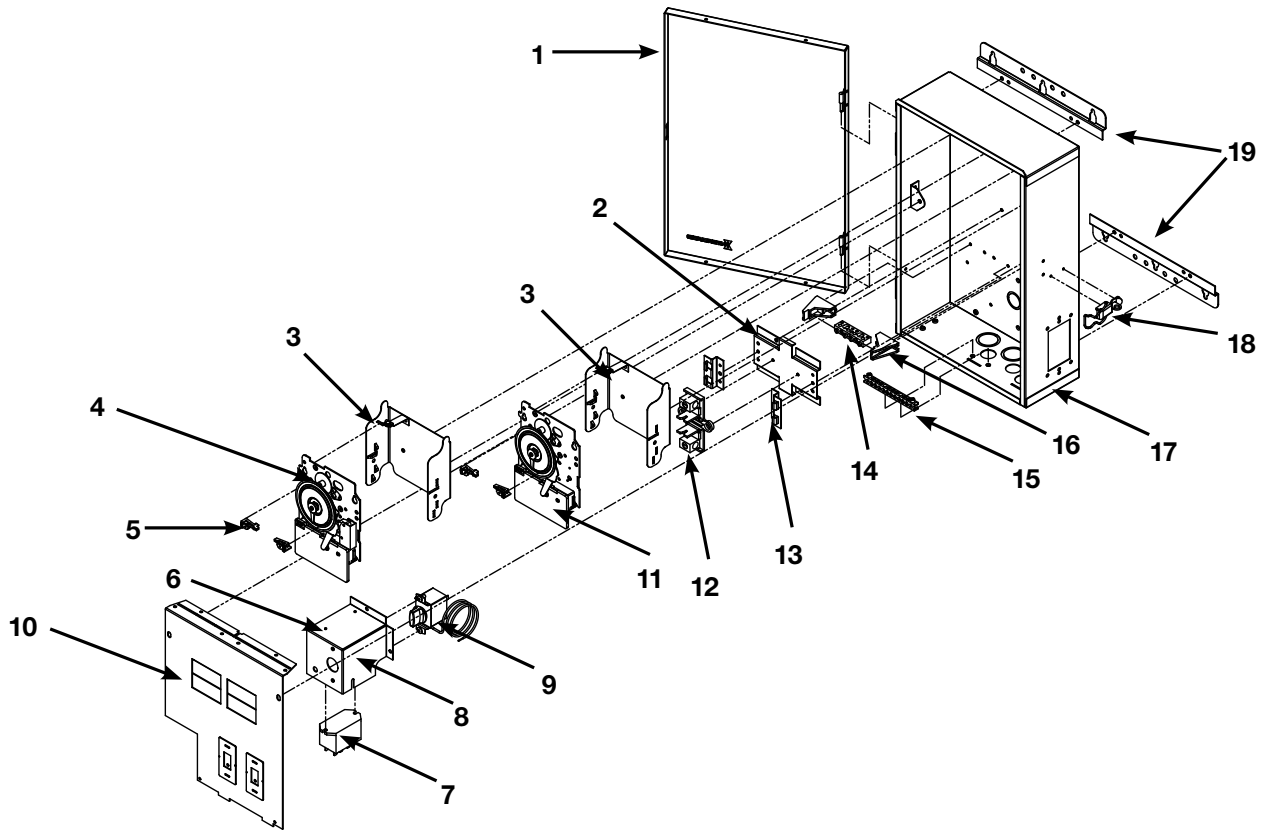
# PF1202T Freeze Protection Control



Item No.	Description	Part No.	Shipping Weight (lb.)	*List Price (\$)
1	Cover - Enclosure	6TP2819A-WWH	3.0	31.20
2	Complete Thermostat Assembly - Pre Wired	PA102	2.5	101.49
3	Relay	143T135	0.5	54.29
4	Plate - Thermostat Housing	24--00022-SCR1	1.0	7.52
5	Thermostat	178T24	1.0	55.29
6	Plate - Dead Front	24PF6022-WWH	1.5	17.60
7	Bracket - Time Switch	22T338GR	0.8	10.61
8	Time Switch Mechanism	T104M	1.5	148.87
9	Tripper - Time Switch (1) ON (1) OFF per pack	156T1978A	0.3	3.65
10	Terminal - Power	130LV1091	0.3	15.90
11	Terminal Bar - Grounding	130T1042	0.5	7.37
12	Case - Enclosure	2PF3377A-WWH	6.0	73.10
13	Latch - Enclosure	8--00008A	0.3	8.05
14	Bracket - Enclosure, each	22T713	1.0	4.10

\* Prices are subject to change without notice

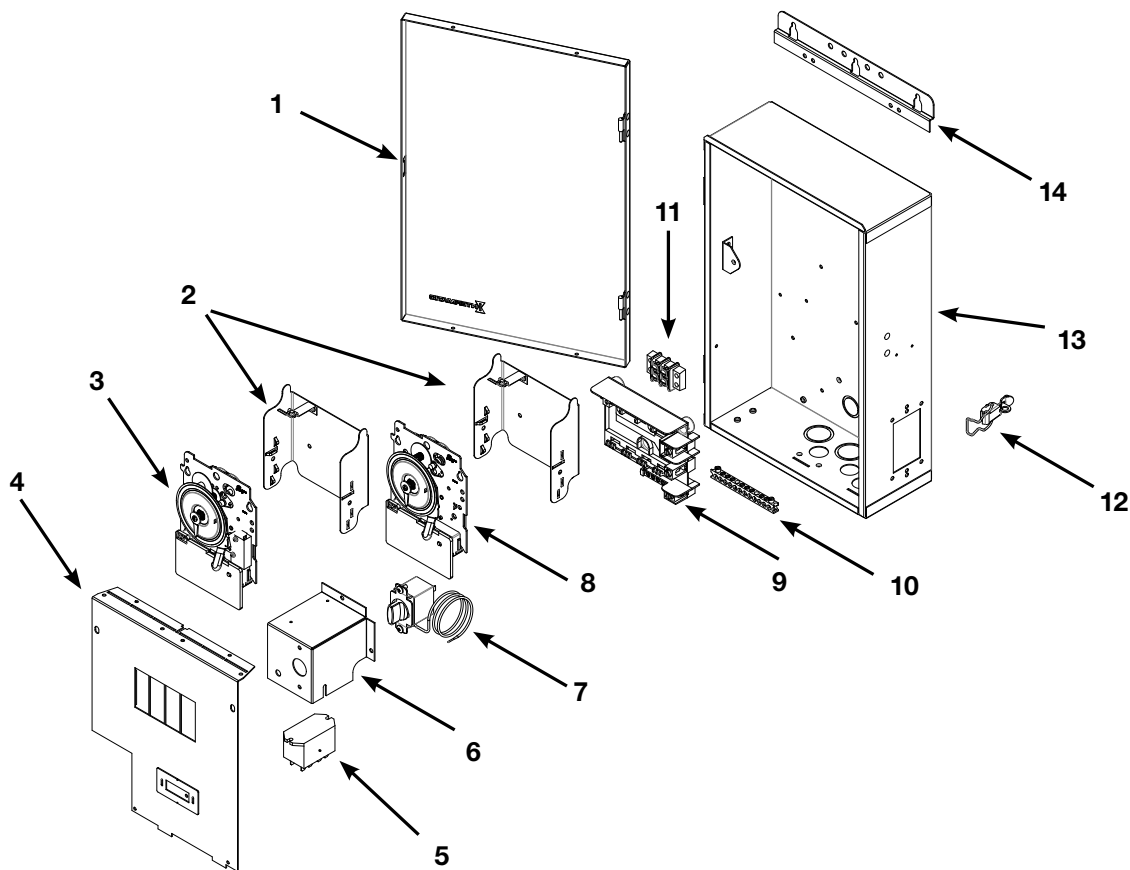
# PF1222TB Freeze Protection Control



Item No.	Description	Part No.	Shipping Weight (lb.)	*List Price (\$)
1	Cover - Enclosure	6RC2344A	4.0	36.60
2	Plate - Breaker Mounting	24T5493	1.0	14.10
3	Bracket - Time Switch	22T338GR	0.8	10.61
4	Time Switch Mechanism #1	T104M201	1.8	200.63
5	Tripper - Time Switch (1) ON (1) OFF per pack	156T1978A	0.3	3.65
6	Complete Thermostat Assembly - Pre Wired	PA102	2.5	101.49
7	Relay	143T135	2.0	54.29
8	Plate - Thermostat Housing	24--00022	0.5	23.80
9	Thermostat	178T24	1.0	55.30
10	Plate - Dead Front	24T5473	1.0	23.80
11	Time Switch Mechanism #2	T104M	1.5	148.87
12	Breaker Base	124T2375	0.5	38.26
13	Bracket - Breaker	22T675	0.3	9.10
14	Terminal Bar - Neutral	130T1181	0.5	16.10
15	Terminal Bar - Grounding	130T1042	0.5	7.37
16	Bracket - Terminal Mounting	22T676	0.3	7.87
17	Case - Enclosure	2PF3380A-VVWH	6.5	77.48
18	Latch - Enclosure	8--00008A	0.3	8.05
19	Bracket - Enclosure, each	22T713	1.0	4.10

\* Prices are subject to change without notice

# Model: PF1222TB1 Freeze Protection Load Center



Item No.	Description	Part No.	Shpg. Wt. (lb)	*List Price (\$)
1	Cover Assy-10X16	6RC2344A	3.1	36.60
2	Brkt Assy-Mtg,Timer	22T338GR	0.8	10.61
3	Time Switch Mech #1	T104M201	1.8	200.63
4	Plate - Dead Front	24T5473-WWH	2.0	23.80
5	Relay - Part Of T-Stat Assembly	143T135	1.0	54.29
6	Complete T-Stat Assembly	PA102	2.5	101.49
7	T-Stat, Part Of T-Stat Assembly	178T24	1,2	55.30
8	Time Switch Mech #2	T104M	1.8	148.87
9	Breaker Base	124--00022	1.0	38.26
10	Terminal Bar-Gnd	130T1042	0.3	7.37
11	Terminal -Power Input	130LV1091	0.5	15.90
12	Latch-Enclosure	8--00008A	0.3	8.05
13	Case Assy	2PF3380A-WWH	4.1	77.48
14	Mntg Bracket - Enclosure	22T713	1.0	4.10

\* Prices are subject to change without notice