



“SINGLE POINT”

CODE COMPLIANT HANDWASHING HEATERS

ELECTRIC TANKLESS WATER HEATERS

MODELS:

	Volts	kW	Amps
SP2412	120V	2.4kW	20A
SP3012	120V	3.0kW	25A
SP3512	120V	3.5kW	29A
SP3208	208V	3.0kW	14.4A
SP4208	208V	4.1kW	19.7A
SP35	240V	3.5kW	14.6A
SP55	240V	5.5kW	22.9A
SP3277	277V	3.0kW	10.8A
SP4277	277V	4.1kW	14.8A

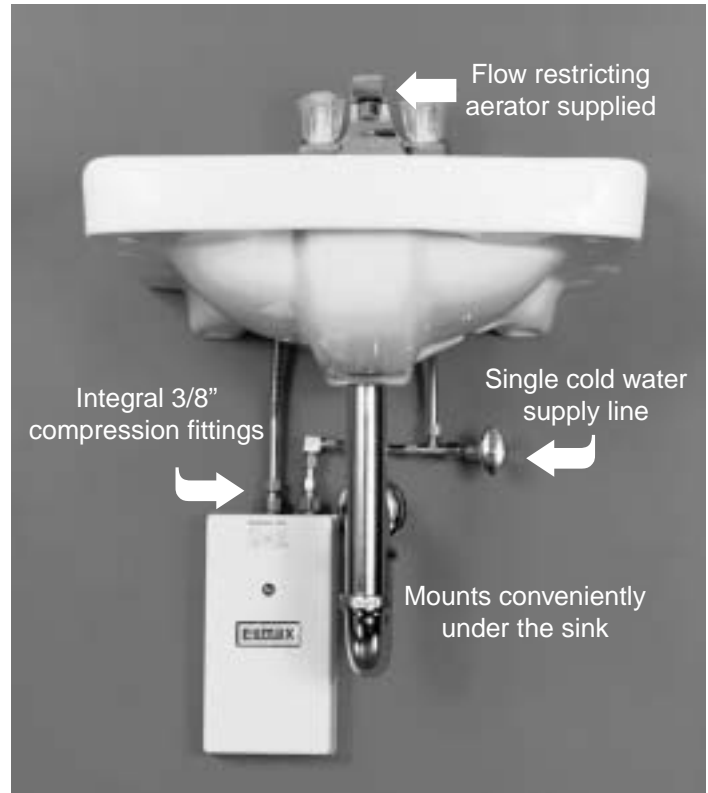
SPECIFICATION OPTIONS

- FC = Flex Connector braided-stainless steel water connections available. (EX176, EX177)
Example: SP3512FC

APPLICATIONS:

- Shopping Malls
- Office and Tenant Spaces
- Commercial Buildings (restaurants, etc.)
- Modular Buildings/Modular Offices
- Public Hand Washing
- Service Stations
- Schools
- Concessions Stands, Stadiums

**ADVANCED TECHNOLOGY • HIGHEST EFFICIENCY
DESIGNED FOR DURABILITY**



Designed to comply with .5 GPM handwashing code target outlet temperature 105° - 110°.

MADE IN USA



QUALITY FEATURES

- **On Demand Hot Water** - no delay.
- **Cut Energy Waste** - flow switch activates heater only on demand (no standby heat loss). **99% efficient**
- **Continuous Hot Water** - no storage capacity to run out.
- **Reduces Installation Cost** - no T & P relief valve needed (check local codes).
- **Easy Installation** - only one cold water line need be brought to lavatory - integral 3/8" compression fittings on top (no sweat connections). Mounts on wall at point-of use.
- **Integral Flow Restrictor** - Built in to ensure proper temperature rise. Complies with U.S. Federal regulations.
- **Faucet Aerator** - with excellent spray pattern supplied with unit.
- **Hands Free**, sensor and metering faucet compatible
- **Prevents Legionella Bacteria Growth**
- **Reduces Liming, Calcification and Sedimentation.**
- **Complies with Handicap Requirements**
- **Ni Chrome Element** - a unique, patented flow path ensures optimum heat transfer and extended element life.
- **Compact Size** - dimensions 10.75" x 5.25" x 2.875"; weight 3 lbs.
- **Field Serviceable Element** - replaceable cartridge element (1 year warranty).
- **Warranty** - Full Factory Warranty - Heaters are guaranteed against failure due to leaks of "Heater Body/Element Assembly" for a period of FIVE YEARS.

SUGGESTED SPECIFICATION

Tankless Water Heater shall be an Eemax Model _____ with _____ vac, _____ to heat 0.5 GPM @ a temperature rise of _____ degrees F. Unit shall have ABS-UL 94Vo rated cover. Element shall be replaceable cartridge insert. Unit shall have a replaceable filter in the inlet connector and a flow regulator in the outlet connector. Element shall be iron free, nickel chrome material. Heater shall be fitted with 3/8" compression nuts and sleeves to eliminate need for soldering. Heater shall be installed upright with water connections on top only. Hot water storage tanks prohibited. Unit shall be Eemax or approved equal.
NOTE: Refer to rating chart for product information.

NOTE: Flow Activated 0.5 GPM

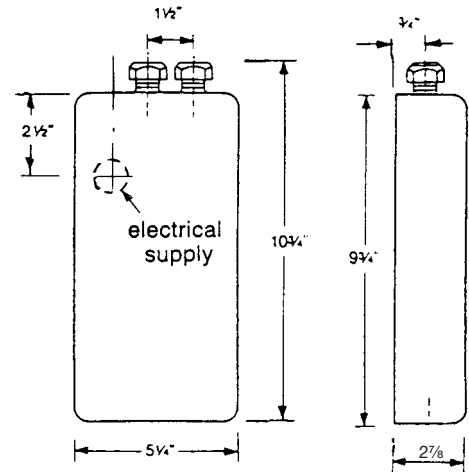
OPERATING PRESSURE	
Min.	Max.
25 PSI	150 PSI

OPTIONAL FLEX CONNECTOR ACCESSORY (FC)

Stainless steel braid reinforced flexible water connector.
 3/8" C x 1/2" FIP - 16" faucet supply (EX176)
 or
 3/8" C x 3/8" C - 16" faucet supply (EX177)

RATINGS OF SINGLE POINT UNITS { Cold water feed only }

MODEL	VOLTS	kW	AMPS	RISE AT 0.5 GPM	RECOMMENDED WIRE SIZE
SP2412	120V	2.4kW	20A	33°	10AWG
SP3012	120V	3.0kW	25A	41°	10AWG
SP3512	120V	3.5kW	29A	48°	10AWG
SP3208	208V	3.0kW	14.4A	41°	14AWG
SP4208	208V	4.1kW	19.7A	56°	12AWG
SP35	240V	3.5kW	14.6A	48°	14AWG
SP55	240V	5.5kW	22.9A	75°	10AWG
SP3277	277V	3.0kW	10.8A	40°	14AWG
SP4277	277V	4.1kW	14.8A	56°	14AWG



SPECIFICATIONS:

Dimensions: 10.75" x 5.25" x 2.875"

Weight: 3 lbs.

Materials:

Cover: ABS UL rated 94Vo.

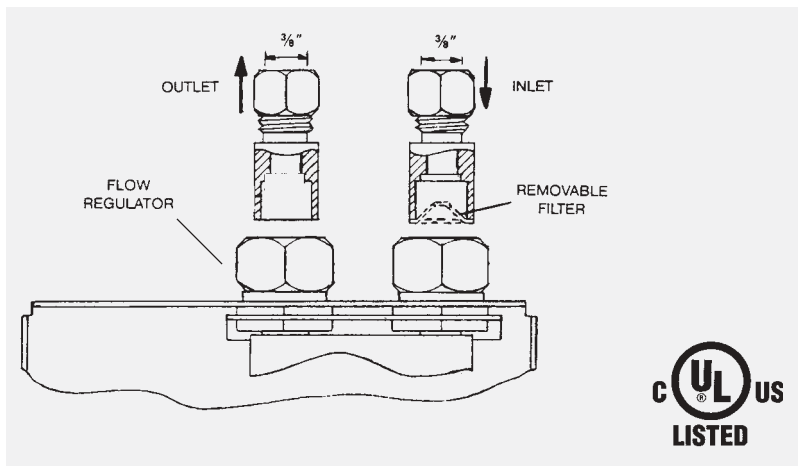
Color: White

Element: Replaceable cartridge insert

Pipe-Fittings: 3/8" compression at top of unit

UL Listed: E86887 (M)

U.S. Patent #'s: 4,762,980 and 4,960,976



SPECIAL DESIGN SERVICE

INQUIRIES FOR UNITS FOR UNIQUE APPLICATIONS ARE WELCOME. CALL OUR TECHNICAL SERVICE DEPT. 1-800-543-6163

EEMAX SUBMITTAL

Engineer/Architect: _____
 Job Name/Customer: _____
 Location: _____
 Contractor: _____
 Representative: _____
 HEATER SPECIFICATIONS:

Option	Quantity	kW	Voltage	AMPS	GPM
Single Point Model # SP _____					

Eemax® Inc.

353 Christian Street, Oxford, CT 06478

www.eemax.com

Telephone: (203)267-7890
 TOLL FREE: 1-800-543-6163
 FAX: (203) 267-7975