

<http://waterheatertimer.org/Paragon-timers-and-manuals.html>

INTERVAL TIMERS

Energy control meets economy with Paragon's ET Series of Electronic Light Switch Timers. Ideal when lights are needlessly left on or forgotten, the ET Series offers a complete solution superior to occupancy sensors. Simply set the dial for the amount of time the lights are to be left ON, from 1 minute to 18 hours, and the lights will go OFF automatically when that time expires.

The ET Series is a family of 10 different models, designed to meet incandescent, fluorescent and diverse voltages.

FEATURES & BENEFITS:

- ▶ Fast, easy, low-cost installation saves contractors time and money.
- ▶ Simple setting requires no technical expertise.
- ▶ Guaranteed lighting shut-off ensures lower utility bills.
- ▶ Designed with a warning flicker before lights turn OFF, allowing ample time to manually reset the timer.
- ▶ Hidden dial makes timer tamper-proof.
- ▶ Design allows timer to fit in single, double or multi-gang decorator wall plates.
- ▶ "T" setting allows 15-second test mode.
- ▶ Switches available in white or ivory to match any décor.
- ▶ 3-way switching available.
- ▶ UL and CSA listed means quality and durability are built into every time control.



WHY ▶ *Specify Paragon*

Since 1903, Paragon has been the leader in time and process control technology. As inventor of the 24-hour time switch, Paragon's heritage of patents, unparalleled quality and solutions-driven innovations have made us one of the most recognized names in time control products.

PHYSICAL

Color of Toggle Switch Ivory (standard), White (optional)
 Weight 4.23 lbs.
 Dimensions Width 1.74" (4.4 cm), Height 2.79" (7.1 cm), Depth 1.32" (3.4 cm)
 Agency Recognition Timer is UL listed and CSA certified.

ENVIRONMENTAL

Operating Temperature 0° F to 104° F
 Operating Humidity 90% RH-non-condensing
 The ET should be mounted in a single gang or multiple gang wall box, in an environment that is free of excessive contaminants such as oil, grease, dirt, etc.

HOW TO SPECIFY

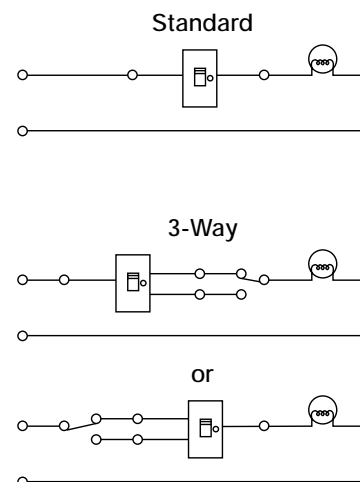
Installer shall furnish and install Paragon ET Series Electronic Light Switch Timer. Timer shall be solid state with adjustable time range from 1 minute to 18 hours. The control shall be tamper-proof with out-of-sight programming dial and shall operate from 24 Vac to 277 Vac. The control shall be rated to switch up to 1100 watts (ET1100, ET1100/3WAY), or 2000 watts (ET2000). The control shall be capable of operating between 24 Vac and 277 Vac. The control (ET1100/3WAY & ET1100F/3WAY) shall be capable of controlling 3-way switching applications. The control (ET1100F, ET1100F/3WAY, ET2000F) shall be capable of providing a warning flicker to signal the end of ON time.

ELECTRICAL SPECIFICATIONS

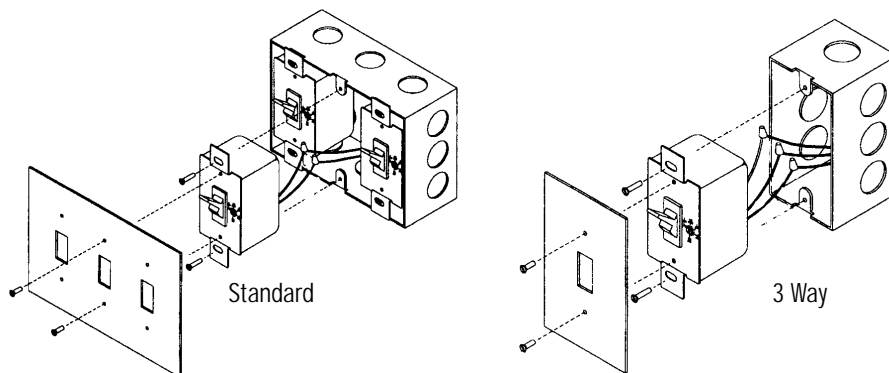
Model No.	Output Switch Configuration	For ALL Models Ratings Min./Max.	For ALL Models Resistive Load (PF=1) Power Ratings Min./Max.	
			24V	277V
ET1100	SPST	0.25-4.00 A Resistive	6-96 Watts	
ET1100F	SPST	0.25-4.00 A Ballast	30-480 Watts	
ET1100/W	SPST	0.25-4.00 A Tungsten	50-830 Watts	
ET1100F/W	SPST	1/8 Hp @ 120V	60-960 Watts	
		1/3 Hp @ 240V	70-1,100 Watts	
ET1100/3WAY	SPDT Toggle	0.25-4.00 A Resistive	6-96 Watts	
ET1100F/3WAY	SPDT Toggle	0.25-4.00 A Ballast	30-480 Watts	
		0.25-4.00 A Tungsten	50-830 Watts	
		1/8 Hp @ 120V	60-960 Watts	
		1/3 Hp @ 240V	70-1,100 Watts	
ET2000	SPST Toggle	0.75-7.25 A Resistive	18-174 Watts	
ET2000F	SPST Toggle	0.75-7.25 A Ballast	90-870 Watts	
ET2000/W	SPST Toggle	0.75-4.00 A Tungsten	150-1,500 Watts	
ET2000F/W	SPST Toggle	1/6 Hp @ 120V	180-1,740 Watts	
		1/2 Hp @ 240V	210-2,000 Watts	

- F indicates warning flicker feature to signal the end of ON time. The warning flicker will turn lights OFF for two 1/2 second intervals beginning approximately three (3) minutes prior to timing out.
- 3WAY indicates 3-way switching capability.
- W indicates white toggle switch (ivory is standard).

TYPICAL WIRING DIAGRAMS



INSTALLATION DIAGRAMS



Maple Chase Company
 2820 Thatcher Road
 Downers Grove, Illinois 60515-4040
 United States of America
 Telephone +1 800 951 5526
 Facsimile +1 630 963 0650

Canada
 Director of Canada Sales
 5785 Kennedy Road
 Mississauga, Ontario L4Z 2G3
 Telephone 1 905 890 5956
 Facsimile 1 905 890 6098

An Invensys company



Part Number 150-1456