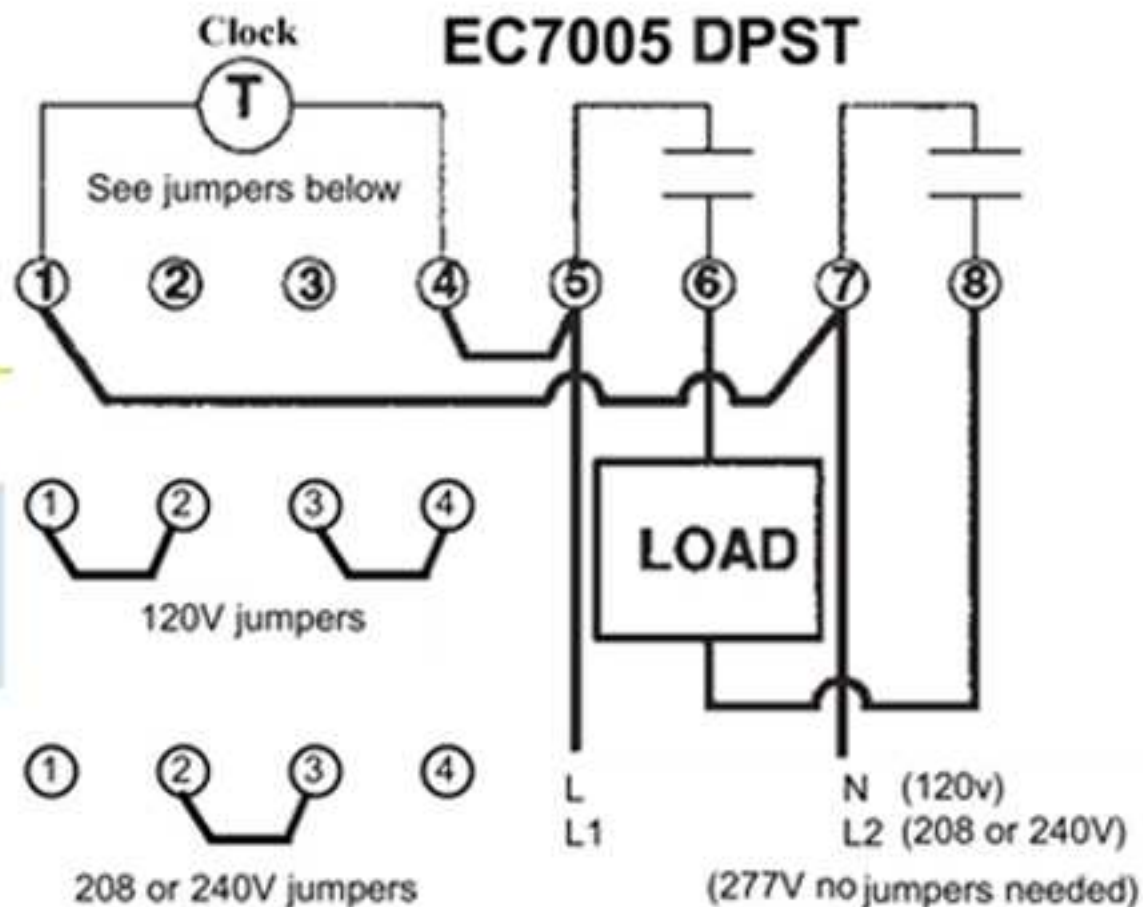


Specifications

| | |
|-----------------------|---|
| Operating temperature | -40° to 140°F (-40° to 60°C) |
| Humidity range | 0% to 95% Relative Humidity, non-condensing |
| Frequency | 50/60 Hz |
| Power consumption | 4 VA Max. |
| Comments | |

EC7005PC120-240V

EC7005 DPST



Jumpers needed depending on line voltage

| Attribute | Value |
|---------------------------|--|
| Switch type | DPST |
| Wiring Diagram | 14 |
| Switch Ratings | C |
| Hp NO | |
| Amp NO | |
| Voltage | 120, 208-240 |
| Graduation | |
| Time Range | |
| Dimensions (W x H x D) | 6-9/16" x 8-1/8" x 3-7/8" |
| Comments | 1 Hp at 120 Vac, 3 Hp at 240 Vac; 15 amp tungsten at 120-277 Vac, 20 amp ballast at 120 Vac, 10 amp at 277 Vac |
| HP Rating | |
| HP Rating NO NC | 3-1, 3-1 |
| Range | |
| Enclosure Material / Type | Non-Metallic with clear-view cover (Indoor/Outdoor) / NEMA 3R |
| External Inputs | |
| Amp NO NC | 30, 30 |

**24 hour or 7-day
16 set points**