

Specifications

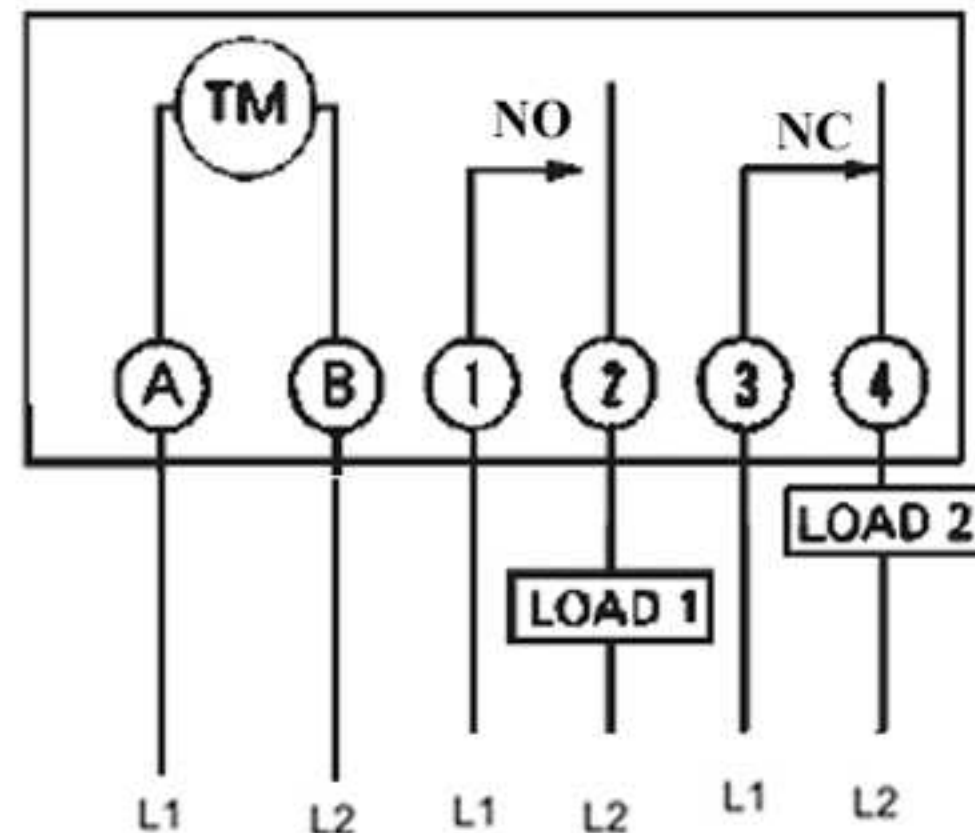
Operating temperature	-40° to 140°F (-40° to 60°C)
Humidity range	0% to 95% Relative Humidity, non-condensing
Frequency	50/60 Hz
Power consumption	4 VA Max.
Comments	

Attribute	Value
Switch type	SPST
Wiring Diagram	12
Switch Ratings	C
Hp NO	
Amp NO	
Voltage	208-277
Graduation	
Time Range	
Dimensions (W x H x D)	4-1/4" x 7-7/8" x 3"
Comments	
HP Rating	
HP Rating NO NC	2-1, 2-1
Range	
Enclosure Material / Type	Metal (indoor) / NEMA 1
External Inputs	
Amp NO NC	30, 30

EC7004208-277V

240 Volt timer with NO and NC terminals
SPDT timer/ each terminal SPST

1SPST-NO; 1SPST-NC, 120V



**24 hour or 7-day
16 set points**