

Specifications

Operating temperature	-40° to 140°F (-40° to 60°C)
Humidity range	0% to 95% Relative Humidity, non-condensing
Frequency	50/60 Hz
Power consumption	4 VA Max.
Comments	

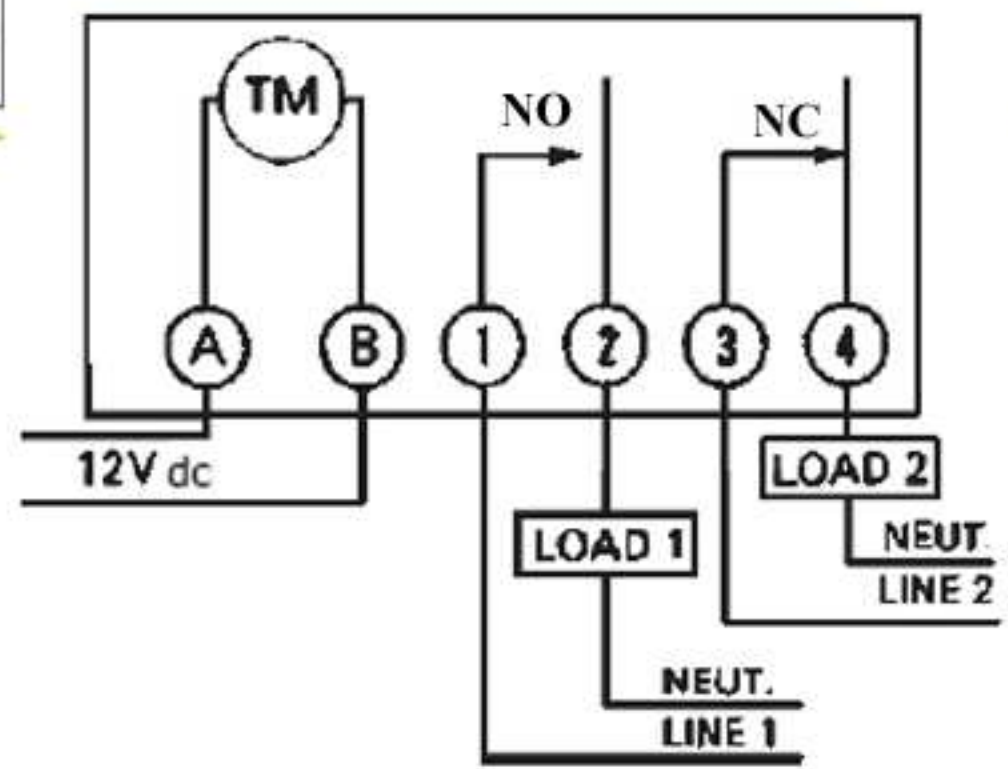
Attribute	Value
Switch type	SPDT
Wiring Diagram	13
Switch Ratings	C
Hp NO	
Amp NO	
Voltage	12 Vdc Clock motor
Graduation	
Time Range	
Dimensions (W x H x D)	6-9/16" x 8-1/8" x 3-7/8"
Comments	Low voltage devices are not able to be listed by UL or CSA
HP Rating	
HP Rating NO NC	
Range	
Enclosure Material / Type	Non-Metallic with clear-view cover (Indoor/Outdoor) / NEMA 3R
External Inputs	
Amp NO NC	20, 10

2 individually programmable durations of 1-59 seconds in addition to ON OFF set points

EC7001PC12Vdc

**120Volt timer with NO and NC terminals
SPDT timer/ each terminal SPST**

1SPST-NO; 1SPST-NC, 120V



**24 hour or 7-day
16 set points**