

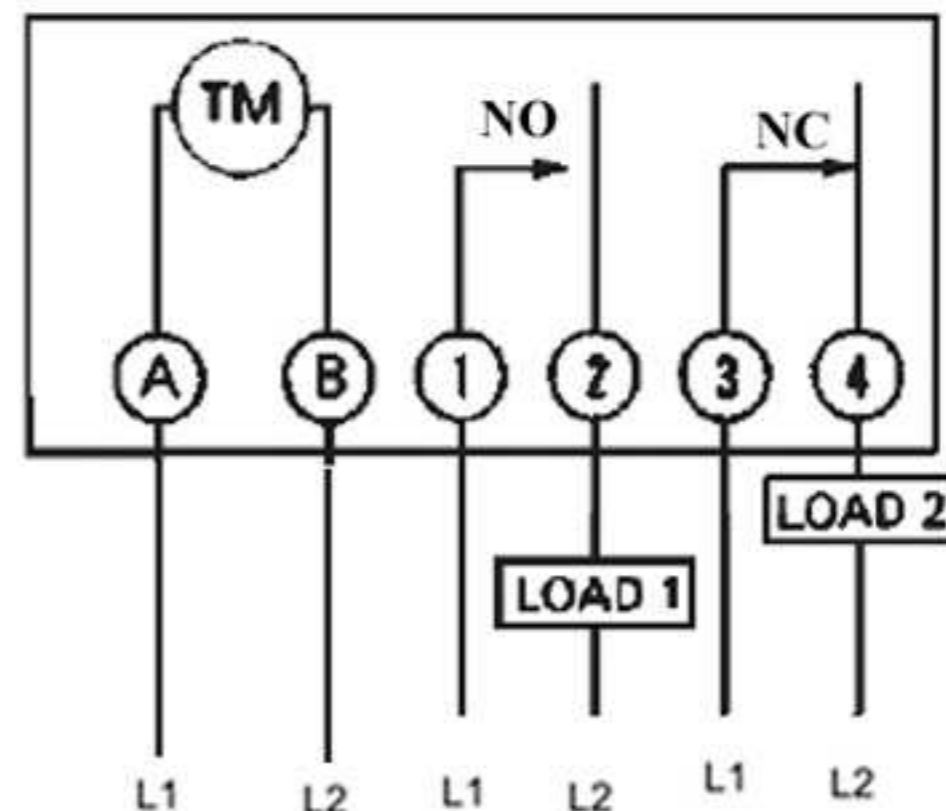
## Specifications

Operating temperature	-40° to 140°F (-40° to 60°C)
Humidity range	0% to 95% Relative Humidity, non-condensing
Frequency	50/60 Hz
Power consumption	4 VA Max.
Comments	

Attribute	Value	
Switch type	SPDT	<b>2 individually programmable durations of 1-59 seconds in addition to ON OFF set points</b>
Wiring Diagram	11	
Switch Ratings	C	
Hp NO		
Amp NO		
Voltage	208-277	
Graduation		
Time Range		
Dimensions (W x H x D)	4-1/4" x 8-1/8" x 3"	
Comments		
HP Rating		
HP Rating NO NC	2, 1/2	
Range		
Enclosure Material / Type	Metal (indoor) / NEMA 1	
External Inputs		
Amp NO NC	20, 10	

240 Volt timer with NO and NC terminals  
SPDT timer/ each terminal SPST

**1SPST-NO; 1SPST-NC, 120V**



**24 hour or 7-day  
16 set points**