

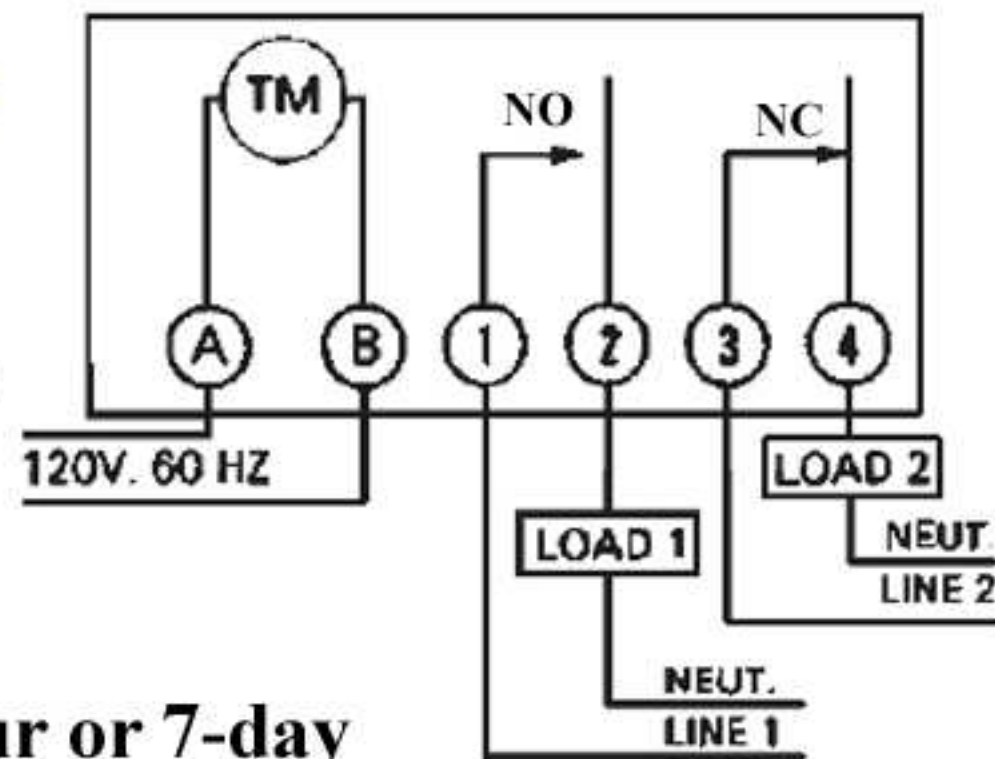
Specifications

Operating temperature	-40° to 140°F (-40° to 60°C)
Humidity range	0% to 95% Relative Humidity, non-condensing
Frequency	50/60 Hz
Power consumption	4 VA Max.
Comments	

EC7000PC120V-RT

120Volt timer with NO and NC terminals
SPDT timer/ each terminal SPST

1SPST-NO; 1SPST-NC, 120V



Attribute

Switch type
Wiring Diagram
Switch Ratings
Hp NO
Amp NO
Voltage
Graduation
Time Range
Dimensions (W x H x D)
Comments
HP Rating
HP Rating NO NC
Range
Enclosure Material / Type
External Inputs
Amp NO NC

Value

SPDT **2 individually programmable durations of 1-59 seconds in addition to ON OFF set points**

6-9/16" x 8-1/8" x 3-7/8"

1, 1/4

Non-Metallic with clear-view cover (Indoor/Outdoor) / NEMA 3R

20, 10

**24 hour or 7-day
16 set points**