

## Specifications

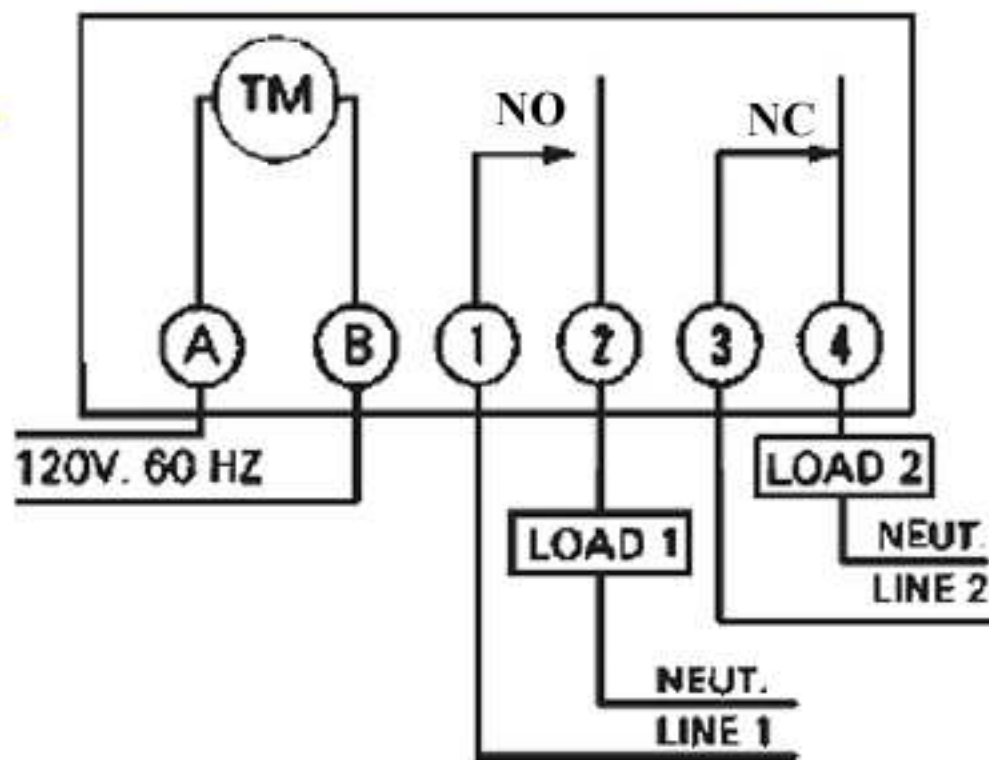
Operating temperature	-40° to 140°F (-40° to 60°C)
Humidity range	0% to 95% Relative Humidity, non-condensing
Frequency	50/60 Hz
Power consumption	4 VA Max.
Comments	

# EC7000120V

120Volt timer with NO and NC terminals

SPDT timer/ each terminal SPST

**1SPST-NO; 1SPST-NC, 120V**



**24 hour or 7-day  
16 set points**

Attribute	Value
Switch type	SPDT
Wiring Diagram	11
Switch Ratings	C
Hp NO	
Amp NO	
Voltage	120
Graduation	
Time Range	
Dimensions (W x H x D)	4-1/4" x 8-1/8" x 3"
Comments	
HP Rating	
HP Rating NO NC	1, 1/4
Range	
Enclosure Material / Type	Metal (indoor) / NEMA 1
External Inputs	
Amp NO NC	20, 10