

<http://waterheatertimer.org/Paragon-timers-and-manuals.html>

ELECTRONIC INTERVAL TIMERS

Designed for general time delay and automatic reset applications, the E500 series is accurate, dependable, and available in 3 timing formats.

The E500 is an ON delay control. Timing begins when the external switch is closed.

The 501 is an interval control. The load and timing cycle begins when the control start switch is closed.

The E502 model is an OFF delay control. The timing cycle begins when external switch is opened. All three models in the series offer these common benefits:

FEATURES & BENEFITS:

- ▶ SPDT relay for NO or NC applications
- ▶ External trigger switch for remote control
- ▶ NEMA 4X enclosure for use in the harshest environments
- ▶ Timing cycle repeatable with less than 1% accuracy
- ▶ Operating temperature ranges from 32°F to 122°F (0°C to 50°C)
- ▶ LED indicators to show load status indicator of control
- ▶ Enclosure size ideal for mounting in tight spaces
- ▶ All models support 120V or 240V applications at 60hz
- ▶ Panel mounting with "M" mechanism
- ▶ UL and CSA listed means quality and durability are built into every time control



E500



E501



E502



E501-M

WHY ▶ *Specify Paragon*

Since 1903, Paragon has been the leader in time and process control technology. As inventor of the 24-hour time switch, Paragon's heritage of patents, unparalleled quality and solutions-driven innovations have made us one of the most recognized names in time control products.

E500 SERIES



PHYSICAL

E500 Series

NEMA 4X Non-metallic enclosure

Dimensions: 4-3/4"W x 4-3/4"H x 3"D

Weight: approx. 1 lb.

E500-M Series

Mechanism only

Dimensions: 4-3/4"W x 4-3/4"H x 1"D

Weight: Approx. 1/2 lb.

ENVIRONMENTAL

The E500 Series is housed in a NEMA 4X non-metallic enclosure suitable for indoor use. The E500-M Series is a mechanism only control and should be mounted indoors in an area that is free of excessive contaminants such as oil, grease, dirt, etc.

HOW TO SPECIFY

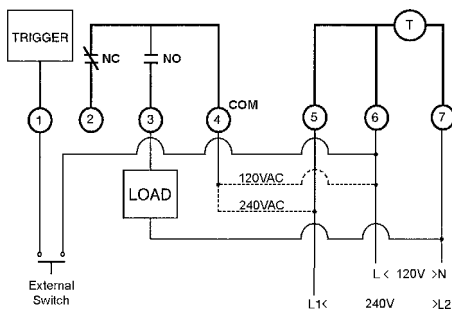
Installer shall furnish and install Paragon E500 (or, E500-M Series) electronic interval time control with one SPDT relay. Contacts to be rated at 20 amperes at 120-240 volts. Graduation and range to be (see chart below). Provide variable timing cycle from 10 seconds to 12 hours, 5 seconds to 3 hours.

ELECTRICAL SPECIFICATIONS

Model No.	Switch Type	AC Line		Switch		Hp		Enclosure Type	Dimensions
		Volts	Hz	NO	NC	NO	NC		
E500 Series*	SPDT	120	60	20amp	10amp	1	1/4	NEMA 4X	4 3/4"W x 4 3/4"H x 3"D
		240	60	20amp	10amp	2	1/2		
E500-M Series*	SPDT	120-240	60	20 amp	10amp	1	1/4	Mechanism only for panel mount	4 3/4"W x 4 3/4"H x 1"D
		240	60	20 amp	10amp	2	1/2		

*Includes all models: E500, E500-M, E501, E501-M, E502, E502-M

WIRING DIAGRAM



SPECIFICATIONS

ELECTRICAL:

Power Requirements

Inputs: 120 and 240 VAC (+10%-15% at 60 Hz)

Outputs: SPDT relay with 20 Amp N.O. and 10 Amp N.C. general purpose at 120, 240VAC; N.O. 1 HP at 120 VAC, 2HP at 240 VAC

ENVIRONMENTAL:

Operating Temperature Range for E500, E501, and E502 models: 32°F to 122°F (0°C to 50°C).

Operating Temperature Range for E500-M, E501-M, and E502-M models: -20°F to 140°F (-29°C to 60°C).

Operating Humidity Range: Relative humidity up to 100%.

Water Resistance: Capable of direct low-pressure water wash down according to NEMA 4X (for indoor use only) specification.

PHYSICAL:

Enclosure: NEMA type 4X (for indoor use only) enclosure standard (E500, E501, and E502). Watertight gasketed cover is flame retardant, UV stabilized and non-metallic.

Mounting: Compatible for mounting to Paragon's NEMA 4X (for indoor use only) non-metallic enclosure or for mounting onto a panel.

Timer Cover: One time interval dial on the front plate. The dial signifies on delay time. The dial settings range from five (5) seconds to 3 hours in 32 increments.

Timer Cover and Control Enclosure: Color is grey.

Programming Dials: Sealed from external access.

Legend: On front plate and highly visible at a minimum of 1/8 inch high.

RELIABILITY REQUIREMENTS:

Meets the requirements of QA-3 Procedure 57.001, Electronic Qualification Tests. Designed to operate according to specification for 100,000 relay cycles minimum. Designed to operate for a minimum life expectancy of three (3) years in commercial, industrial or institutional environments not exceeding 100,000 relay cycles.

AGENCY REQUIREMENTS:

The E500, E501, and E502 are UL and CSA listed.

The E500-M, E501-M, and E502-M are UL recognized.



Maple Chase Company

2820 Thatcher Road
Downers Grove, Illinois 60515-4040
United States of America
Telephone +1 800 951 5526
Facsimile +1 630 963 0650

Canada

Director of Canada Sales
5785 Kennedy Road
Mississauga, Ontario L4Z 2G3
Telephone 1 905 890 5956
Facsimile 1 905 890 6098



Part Number 150-1589