

**DIN SERIES**  
DIN RAIL OR SURFACE MOUNT  
**1 OR 2 CHANNEL**  
**7 DAY SCHEDULING**  
**SIGNAL/PULSE AND DUTY CYCLE AVAILABLE**

**DIN100A**  
**DIN101B**  
**DIN201B**

**APPLICATIONS**

- Ideal for Panel Builders
- Indoor/Outdoor Lighting
- Security Systems
- HVAC Equipment

**FEATURES**

- DISPLAY:** LCD
- CLOCK FORMAT:** AM/PM or 24 hour format
- DAYLIGHT SAVINGS:** Automatic adjustment (can be omitted)
- SIGNAL /PULSE:** 1-99 seconds or minutes (DIN101B / 201B only)
- DUTY CYCLE:** 1-99 seconds or minutes total ON+OFF duration (DIN101B / 201B only)
- MANUAL OVERRIDE:** Until the next regularly scheduled ON or OFF or PERMANENTLY.
- POWER OUTAGE BACKUP:** Battery back-up retains schedules; uses lithium, averages 3 years cumulative.

**SPECIFICATIONS**

- POWER CONSUMPTION:** 5VA max.
- CONTACT RATING:** 16A resistive
- CONTACT CONFIGURATION:** SPDT
- OPERATING TEMPERATURE:** -40 to +158°F (-40° to +70°C.)
- ACCURACY AT 68°F:** +/- 2.5 sec/day

**WEIGHT:**

- DIN101A/101B: 4.0 oz
- DIN201B: 5.2 oz

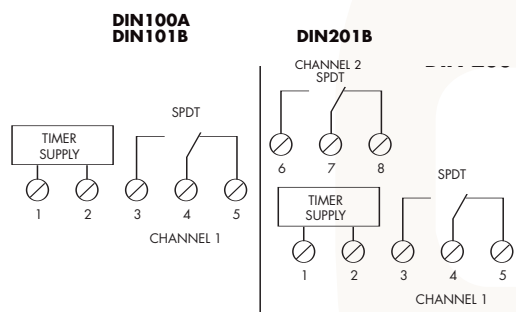
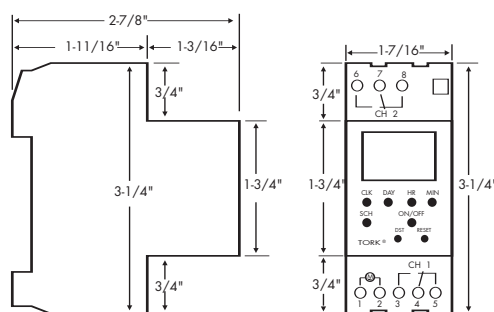
**MOUNTING:** DIN rail #50022 (35mm) or flat surface using supplied adapter plate.



MEETS CALIFORNIA ENERGY COMMISSION'S TITLE 24 REQUIREMENTS

and ASHRAE 90.1 1999

**DIMENSIONS AND WIRING**



| CATALOG NO | UPC CODE | DRY CONTACTS | PULSE & CYCLING | CLOCK INPUT 50/60Hz | NO. OF CHANNELS | TOTAL # PER DAY OR WEEK |
|------------|----------|--------------|-----------------|---------------------|-----------------|-------------------------|
| DIN100A    | 82165    | SPDT         | NO              | 120VAC              | 1               | 20                      |
| DIN101B    | 82177    | SPDT         | YES             | 120VAC              | 1               | 30                      |
| DIN201B    | 82166    | SPDT         | YES             | 120VAC              | 2               | 40                      |