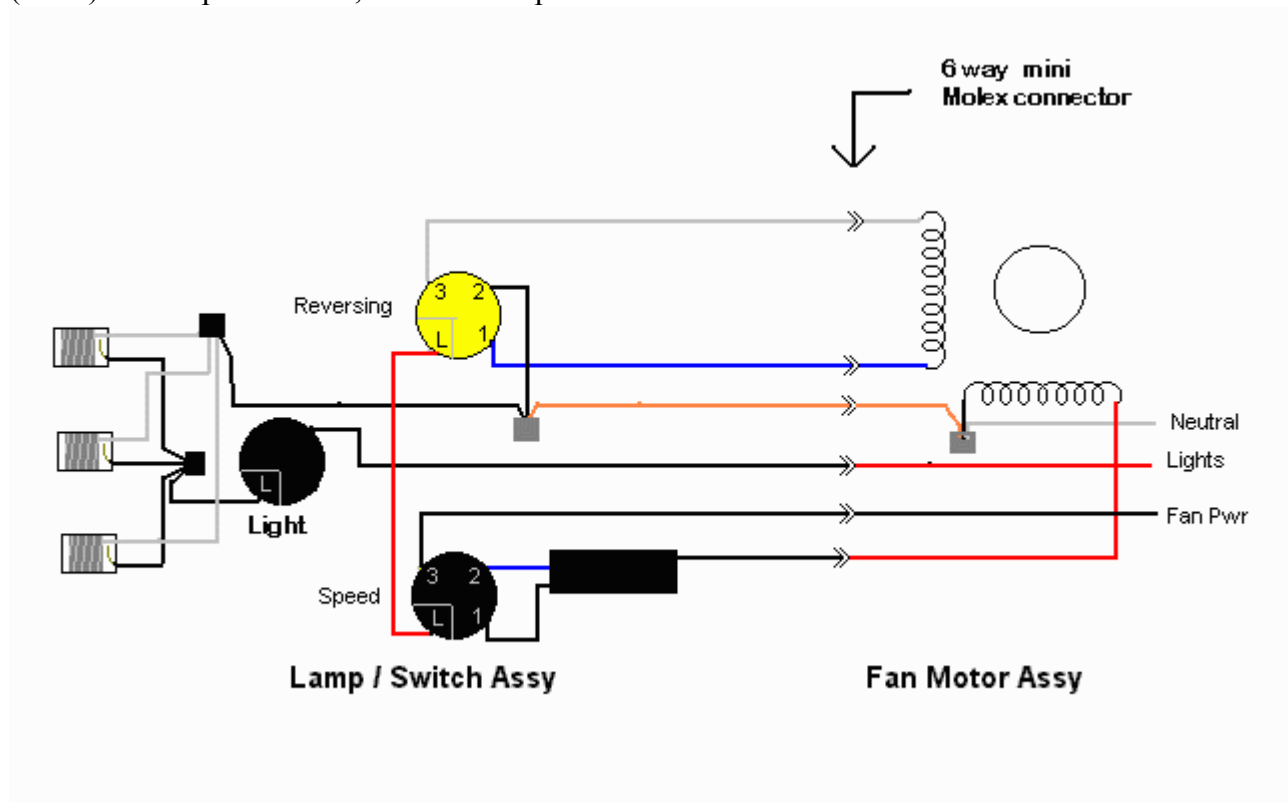


<http://waterheatertimer.org/How-to-wire-Cooper-277-pilot-light-switch.html#3-speed>

## Ceiling fan circuit , type 1

(SMC) Black speed switch, three wire capacitor.



Notes:

Speed Switch connection table:

0 (OFF) : NC

1 (Fast): 1 to L and C1-1

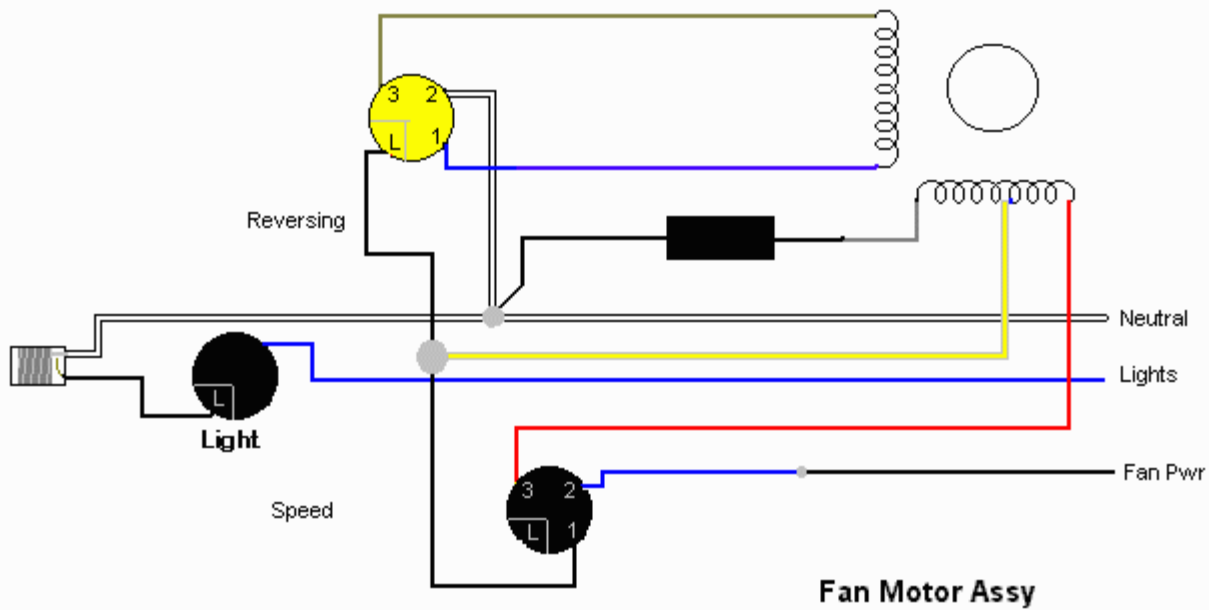
2 (Med) : 1 to L and C1-2

3 (Slow): 1 to L , C1-1, and C1-2

---

## Ceiling fan circuit , type 2

(Canarm) Black speed switch with only three terminals connected, two wire capacitor.



Notes:

Speed Switch connection table:

0 (OFF) : No connection

1 (Fast): 2 to 1

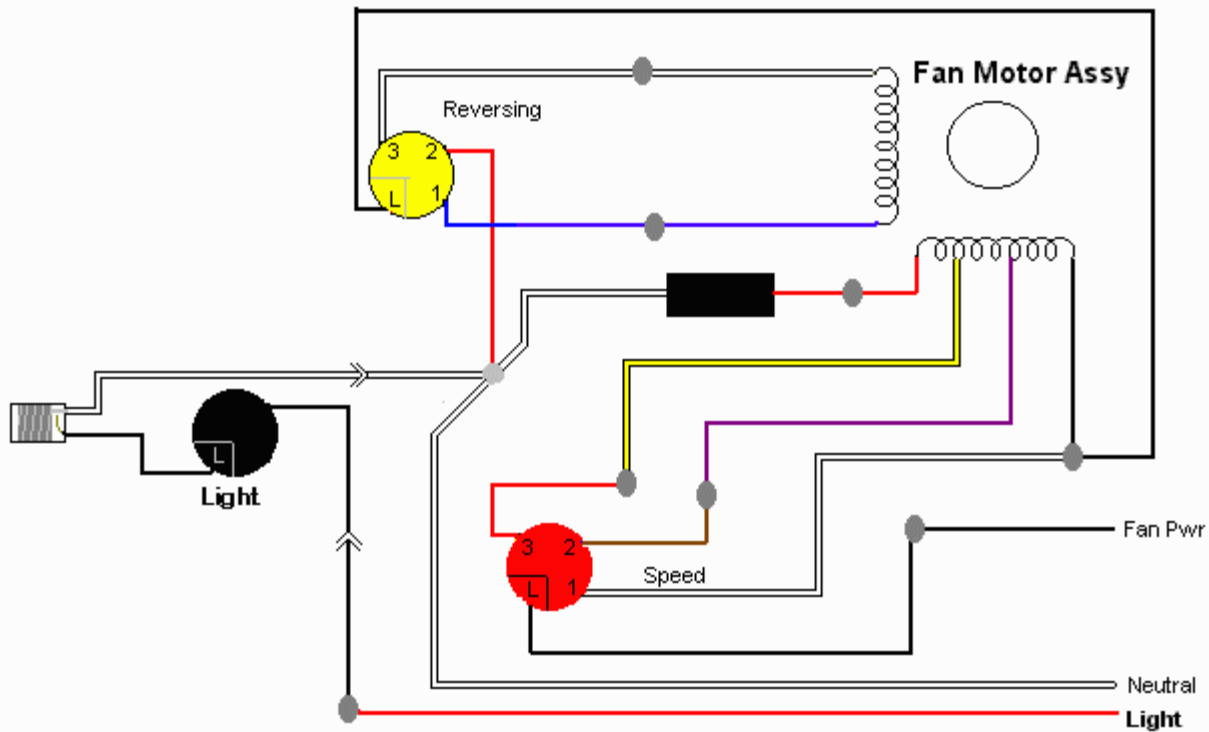
2 (Med) : 2 to 1 and 3

3 (Slow): 2 to 3

**Do not use an electronic speed control on this type of fan (I haven't tried, the documentaiton on my fan of this type just says not to).**

## Ceiling fan circuit , type 3

(SMC) Red speed switch, two wire capacitor.



Notes:

Speed Switch connection table:

0 (OFF) : No connection

1 (Fast): L to 1

2 (Med) : L to 2

3 (Slow): L to 3

Reversing switch truth table (all types described here, yellow switches)

1 (Forward):L to 1 , 2 to 3

2 (Reverse):L to 3 , 2 to 1

Please read my [disclaimer](#)

[My index page](#)