

BRINKS TIMERS

Motion Activated Digital Switch

The 46-1030 Motion Activated Digital Switch saves energy and increases safety by detecting motion in a 150 degree zone to turn on lights for a selected amount of time, and has a photo-cell to turn on the lights only when they are needed, such as when no ambient light is available. The switch features a High-motion detection zone selection that avoids turning on the lights when small pets enter the room. It can be used to replace an existing switch, and can be used with incandescent lighting and rapid-start fluorescent lighting (the type with no electronic ballast).

Features Components

- Replaces most standard wall switches
- Motion sensor range: 150° X 13 feet
- Auto off feature adjusts from 5 seconds to 12 minutes.
- Manual Override ON/OFF Switch
- Protective slide cover
- Adjustable light detection

- Sensor Switch
- Decorative Cover Plate
- 4 Twist-On Wire Connectors
- 2 Cover Plate screws
- 2 Switch Box screws
- Jumper Wire

Warning

- The unit is to be connected to a 120V, 60Hz power source only.
- Capacity: 300 W Fluorescent, 300 W Tungsten. **Do Not Exceed Capacity.**
- Do not use with electronic ballasts.
- Do not attempt to disassemble the unit. There are no serviceable parts inside.
- The timer is for indoor use only.
- **PLEASE READ THROUGH THE INSTRUCTIONS BEFORE USING.**

NOTE: If you are not familiar with electrical wiring, it is recommended that you secure the services of a qualified electrician who can assure that this installation meets local, state, and national codes.

Installation:

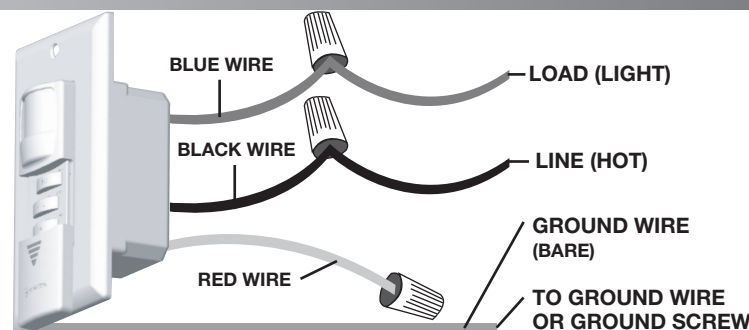
NEW APPLICATION: Choose a location where the switch has the best ability to detect motion in the entire room.
REPLACING AN EXISTING SWITCH: The 46-1030 Motion Activated Digital Switch will replace most standard wall switches.
NOTE: In both applications, consider the following: the sensor is a passive infrared type which detects heat in motion. Avoid using the switch in a location where a heat or cold source, such as an air conditioning duct, may cause false readings.

WARNING: TURN POWER OFF at the Circuit Breaker before installing switch.

Single Switch Installation:

(A single switch is used when one switch controls one light.)

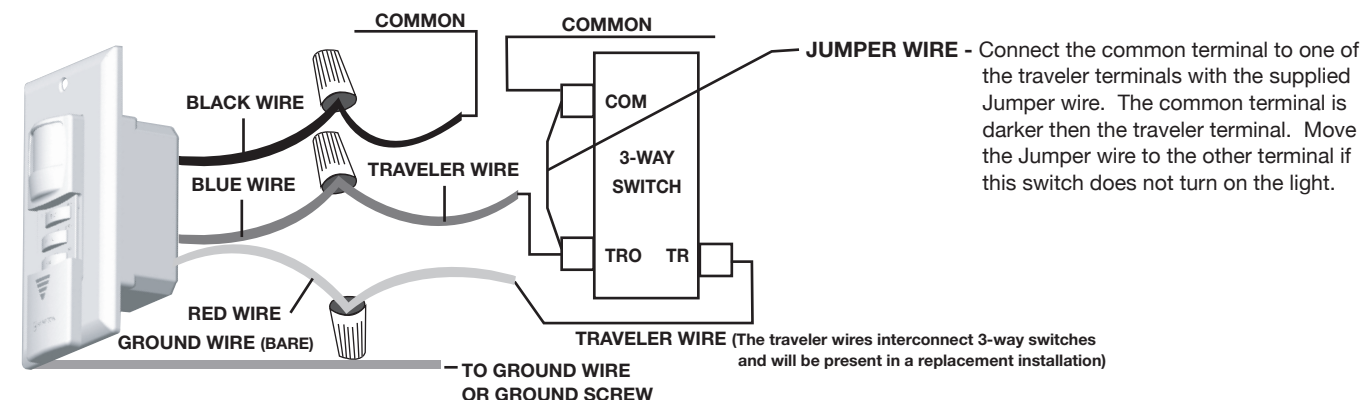
- Remove the existing wall switch (if this is a replacement installation).
- Using provided twist-on wire connectors, connect the wall switch as shown below. For a Single Switch installation, the red wire is not used. Cap the end of the wire with a twist-on wire connectors.



3-Way Switch Installation using 46-1030 Digital Switch with a 3-Way Wall Switch:

(A three-way switch is used when 2 switches control one light, such as the switches at each end of a hallway that control the hall light in the middle.)

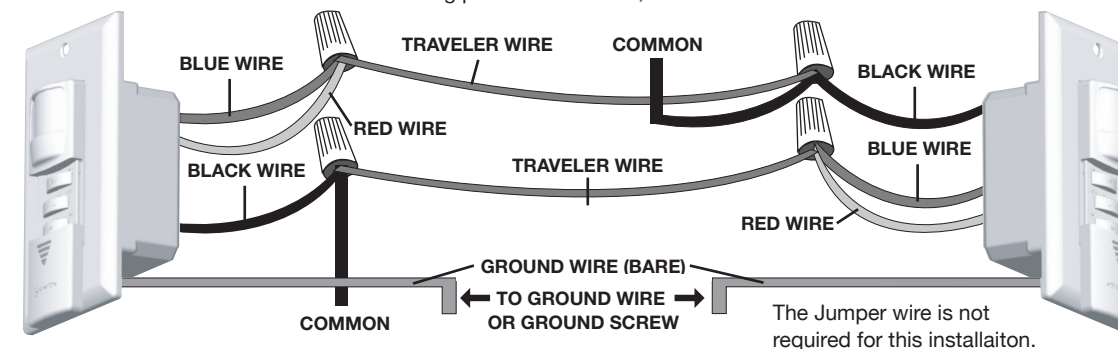
- Remove one of the existing 3-way wall switches (if this is a replacement installation).
- Disconnect the common and traveler wires from the removed switch and reconnect as shown using provided twist-on wire connectors.



3-Way Switch Installation with 2 46-0030 Digital Switches:

(this installation is used when the room requires 2 sensors to cover potential motion zones.)

- Remove the existing wall switches (if this is a replacement installation).
- Pull out all wires out of the switch boxes. Using provided wire nuts, connect the wall switches as shown below.



Complete the Installation:

- Carefully push all switch wires into the switch box(es).
- Secure the switch(es) with 2 switch box screws (provided).
- Install the decorative wall plate(s) using 2 wall plate screws (provided).
- Turn power on at the circuit breaker and test the switch(es).

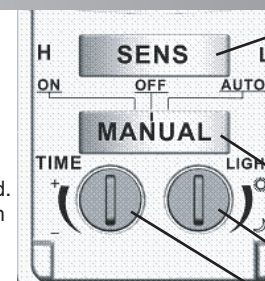
Control Panel Layout

SENS Slider Switch: this selects the Sensor Zone desired.

- **HIGH(H):** Detects motion above 3 feet only. Select this to prevent the motion of small pets from activating the lights.
- **LOW(L):** Full coverage. Includes the LOW zone also.

MANUAL Slider Switch: this selects the switch Operating Mode.

- **ON:** Power is manually turned ON. Sensor system is deactivated.
- **OFF:** Power is manually turned OFF. Sensor system is deactivated.
- **AUTO:** Sensor system is activated. Power will be turned ON when motions are detected if the ambient lighting does not exceed the sensitivity setting level.



SENS: Sensor Zone Selection Switch
HIGH(H): Move to far left. Removes low zone from detection.
LOW(L): Move to far right. Includes all zones in coverage.
MANUAL: On/Off/Auto Slide Switch 3 POSITIONS: On/Left, On/Middle, Auto/Right
LIGHT: Rotate counterclockwise for maximum sensitivity to light.
TIME: Rotate clockwise for maximum time setting.

LIGHT Dial: adjusts the photo-cell's sensitivity to light.

- Rotate counterclockwise (+) to increase the amount of light that can be present and still activate the sensor. Full counterclockwise position will allow the sensor to be activated in any light condition.
- Rotate clockwise (-) to decrease the amount of light that can be present and still activate the sensor. Full clockwise position will require a very low light condition for the sensor to be activated.

TIME Dial: adjusts the amount of time that the power will stay on after the switch is activated.

- Rotate clockwise (+) to increase the amount of time.
- Rotate counterclockwise (-) to decrease the amount of time.
- Full clockwise is 12 minutes; full counterclockwise is 5 seconds with a full range in between.

NOTE: It may be necessary to use needle nose pliers to adjust the LIGHT and TIME dials.

Troubleshooting

If you experience problems with the 46-1030 Motion Activated Digital Switch, please try following this troubleshooting guide. If the problem is not addressed by this guide, please call Hampton Products Intl. at 1-800-562-5625 between the hours of 7 am and 4 pm PST.

PROBLEM	Light will not come on at all.	Light will not turn off.	Lights do not seem to stay on long enough when the switch is set to the AUTO mode.	Lights come on unexpectedly.
POSSIBLE SOLUTION	1. Circuit breaker is still turned off. 2. Manual Slider Switch is set to OFF. Switch to ON or AUTO. 3. If the Motion Switch is in a circuit with a 3-Way switch, the 3-way switch may be turned off. 4. The LIGHT dial is set to a level of sensitivity that prevents the sensor from being activated. 5. The bulb may be burned out. 6. Incorrect wiring.	1. Incorrect wiring. 2. Manual Slider Switch is set to ON. Switch to OFF or AUTO. 3. A false activation is being caused by an air duct, heater, stove, etc. 4. Motion is still occurring in the room.	1. There is no motion in the room and the time delay has expired. 2. The TIME dial has been set to a shorter time duration than expected.	1. A false activation is being caused by an air duct, heater, stove, etc. 2. Power has been restored after an outage. The lights will turn off when the time delay has expired.

WARRANTY

This product is warranted to be free from defects in material and workmanship for the life of the product. If a defect in material or workmanship occurs, call 1-800-562-5625 for instructions on how to have the defective product repaired or replaced free of charge.

LIMITATIONS

- This warranty only covers the motion sensor switch unit and is not extended to other components or equipment that is used in conjunction with the product.
- This warranty is extended to the original purchaser of the product. A purchase receipt or other approved proof of purchase is required before warranty service will be rendered.
- Unauthorized service or modification to this product or any furnished component will void the warranty in its entirety.
- THIS WARRANTY IS EXPRESSLY IN LIEU OF ALL OTHER WARRANTIES, EXPRESSED OR IMPLIED, INCLUDING ANY PARTICULAR PURPOSE OR USE, AND SPECIFICALLY IN LIEU OF ALL SPECIAL, INDIRECT, INCIDENTAL, OR CONSEQUENTIAL DAMAGES (INCLUDING BUT NOT LIMITED TO ANY LOSS OF BUSINESS OR PROFITS, WHETHER OR NOT FORESEEABLE) RESULTING FROM THE USE OF THE PRODUCT OR ARISING OUT OF ANY BREACH OF THIS WARRANTY. Some states or provinces do not allow the exclusion of incidental or consequential damages, so the above limitation or exclusion may not apply.
- This warranty gives you specific rights, and you may also have other rights that vary from state to state.

NOT COVERED

- Failure of the product as a result of an accident, abuse, negligence, alteration, or faulty installation, or any other failure not relating to faulty material or workmanship.
- Damaged caused by electronic equipment plugged into the outlet controlled by the motion sensor switch.
- Reimbursement for inconvenience, installation, setup time, loss of use, or unauthorized service.
- Special, indirect, incidental or consequential damages.