

BRINKS TIMERS

7-Day Switch/Digital Timer

The 46-1022 Timer is a digital switch and 7-day timer combination that can replace normal or 3-way switches that control incandescent lighting, flood lights (PAR lamps) and rapid-start fluorescent lighting (the type with no electronic ballast). The box contains all hardware for mounting the switch, and a decorator wall plate. Two circuits are illustrated in these instructions: one for replacing a single switch, and one for replacing a 3-way switch.

Features

- Program up to 6 events for a maximum of 42 on/off cycles per week.
- There are 5 programming options:
- Daily (every day of the week)
- Weekdays only (M-F)
- Weekend only (SA, SU)
- Monday through Saturday (M-SA)
- Individual Day (e.g. Wednesday only)
- Random On/Off feature turns power ON or OFF within +/- 15 minutes of programmed times.
- Manual override On/Off button
- Reset feature
- Flip Cover protects operating buttons.

Components

- Timer
- Decorative Cover Plate
- 4 Twist-On Wire Connectors
- 2 Cover Plate screws
- 2 Switch Box screws
- Jumper Wire

Warning

- The unit is to be connected to a 120V, 60Hz power source only.
- Capacity: 300 W Fluorescent, 300 W Tungsten. **Do Not Exceed Capacity.**
- Do not use this timer with appliances, TVs, stereos or mercury vapor lights.
- Do not attempt to disassemble the unit. There are no serviceable parts inside.
- The timer is for indoor use only.
- **PLEASE READ THROUGH THE INSTRUCTIONS BEFORE USING.**

NOTE: If you are not familiar with electrical wiring, it is recommended that you secure the services of a qualified electrician who can assure that this installation meets local, state, and national codes.

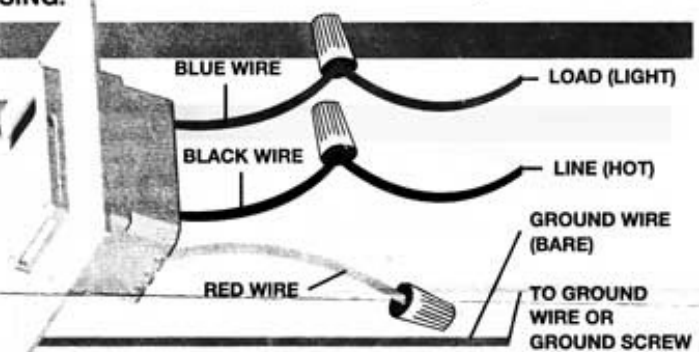
Installation:

WARNING: TURN POWER OFF at the Circuit Breaker before installing switch.

Single Switch Installation:

(A single switch is used when one switch controls one light.)

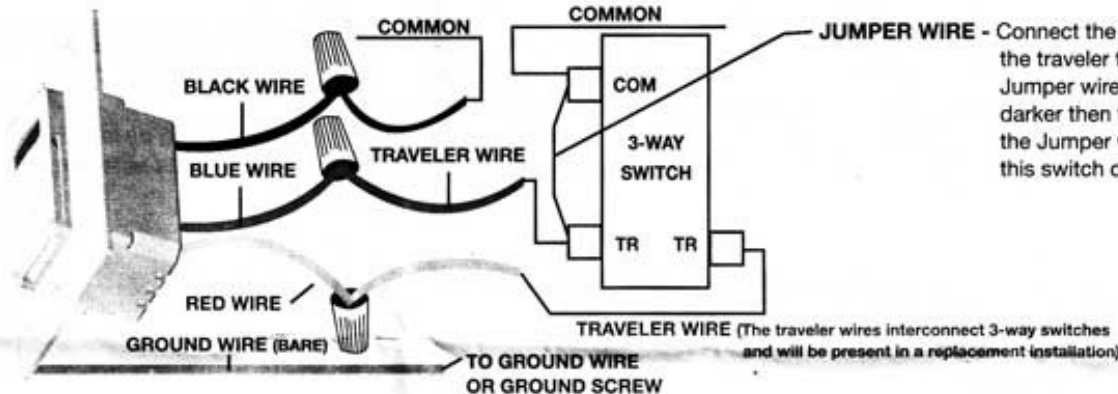
- Remove the existing wall switch (if this is a replacement installation).
- Using provided twist-on wire connectors, connect the wall switch as shown below. For a Single Switch installation, the red wire is not used. Cap the end of the wire with a twist-on wire connectors.



3-Way Switch Installation using 46-1022 Digital Switch with a 3-Way Wall Switch:

(A three-way switch is used when 2 switches control one light, such as the switches at each end of a hallway that control the hall light in the middle.)

- Remove one of the existing 3-way wall switches (if this is a replacement installation).
- Disconnect the common and traveler wires from the removed switch and reconnect as shown using provided wire nuts.



Complete the Installation:

- Carefully push all switch wires into the switch box.
- Secure the switch with 2 switch box screws (provided).
- Install the decorative wall plate using 2 wall plate screws (provided).
- Turn on power at the Circuit Breaker and test the switch.

Setting the Time

- When the timer has been installed and power has been restored, the display will flash "12:00 AM SU" (FIG 1). Open the flip cover. Press the "DAY", "HR" and "MIN" (day/hour/minute) buttons (FIG 2) respectively to set up the correct time. Hold down the buttons for rapid increments. Once the correct day and time are displayed, press the "TIME" button to lock the settings. The ":" sign starts flashing and other displays stay solid.
- In order to adjust the time after initialization, press and hold the "TIME" button for one second to get in the time setting screen and repeat the above steps to set the new time.



FIG 1



FIG 2

Timer Program Setting

- Press and hold the "PROG" button for more than 1 second or until the display starts flashing (FIG 5). Number "1" indicates that Program 1 is being set. "ON" indicates activation of timer function.

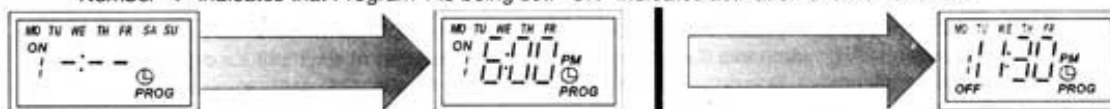


FIG 5: Setting the timer to turn on at 6 PM and off at 11:30 PM for Program 1

- Press the "DAY", "HR" and "MIN" buttons respectively to set up the time for the timer to be TURNED ON or ACTIVATED for Program 1. For "DAY" setting, you can choose daily (MO-SU), weekdays only (MO-FR), weekends (SA-SU) only, Monday-Saturday, or one specific day such as Wednesday only. (Weekdays only MO-FR is used in FIG 5.) Press "DAY" button repeatedly to reach your desired setting.
- After setting up the activation time, press the "PROG" button again to set the time for the timer to be TURNED OFF or DEACTIVATED. The display changes from "ON" to "OFF" (FIG 5). Press the "DAY", "HR" and "MIN" buttons respectively to set the desired time. (For example, in FIG 5, the timer will be turned on at 6:00 PM and will be turned off at 11:30 PM on all weekdays.)
- NOTE: The timer programming function allows a different DAY setting for ON/OFF times. Generally, you want the same setting for each. For example, Weekend (SA SU) for both ON and OFF times. However, if a specific day is chosen, the day can vary between ON and OFF. For example, if Monday is chosen for ON, and Wednesday is chosen for OFF, the power will be ON from Monday through Wednesday.
- If you would like to enter the next program, pressing the "PROG" button again will take you to Program 2. Repeat the above steps to set the time. The unit can store up to 6 programs.
- During program setting, pressing the "RESET" button once will clear the current program settings. If the "RESET" button is pressed and held for more than 3 seconds in the programming mode, ALL programs will be erased.
- To exit the programming screen, press the "TIME" button once.
- Set the "Timer Slide Switch" to the ON position in order to activate the program(s).
- Push the "Manual ON/OFF" button to OFF if you have not done so. If the "Manual ON/OFF" button is turned ON, the unit will act as a regular wall socket to the appliance connected to it.

NOTE: Because six programs can be active at once, it is possible to have conflicts and/or overlapping ON/OFF commands. For example, if Program 1 turns power ON at 4 PM daily and OFF at 6 PM daily, and Program 2 turns power ON at 3 PM and OFF at 8 PM on Thursday only. The timer will follow the commands of both programs in sequence. The result: on Thursday, the power will be ON at 3 PM (Program 2) and OFF at 6 PM (Program 1).

Master Reset

- When in the top level menu (not setting the time or programming), press and hold the "RESET" button for more than 3 seconds. After a Master Reset, all time/program settings will be erased and the unit goes back to its default settings.

Timer Slide Switch

- The "Timer Slide Switch" is located on the front control panel as shown in FIG 2.
- ON - Timer Program is switched to ON. Activates the programs. The unit will be turned OFF and ON according to the set programs. The Ⓞ sign will be displayed when timer program is turned on.
- OFF - Timer Program is switched to OFF. Deactivates the programs. Does not deactivate the unit and the unit can still connect the appliance to the power source.
- RND - Random Mode. All programs will be turned ON or OFF randomly (within a +/- 15 minutes range of preset times) to make the programs seem random. The Ⓞ sign and the "RND" sign will be displayed in Random Mode. As power will be turned on within a +/- 15 minute range of the preset ON and OFF times, make sure the ON and OFF times are at least 30 minutes apart

Manual ON/OFF Button

- Located on the front control panel as shown in FIG 2.
- Manually turns the power ON and OFF. If the Manual ON/OFF setting is turned ON, the unit will act as a regular wall socket. Manually turning the unit ON or OFF will not deactivate the Timer Programs. The next programmed action will override the manual setting if the "Timer Slide Switch" is set to ON.

Rechargeable Battery

- The timer uses an internal, rechargeable battery for backup in case of power failure.
- The battery backup is effective for up to 7 days after a power failure if it is fully charged.

NOTE: While operating on battery power, the LCD will eventually become blank, but the internal clock will still keep the time, and the program settings will be stored as long as the battery has a charge.

WARRANTY

This product is warranted to be free from defects in material and workmanship for the life of the product. If a defect in material or workmanship occurs, call 1-800-562-5625 for instructions on how to have the defective product repaired or replaced free of charge.

LIMITATIONS

- This warranty only covers the timer unit and is not extended to other components or equipment that is used in conjunction with the product.
- This warranty is extended to the original purchaser of the product. A purchase receipt or other approved proof of purchase is required before warranty service will be rendered.
- Unauthorized service or modification to this product or any furnished component will void the warranty in its entirety.
- THIS WARRANTY IS EXPRESSLY IN LIEU OF ALL OTHER WARRANTIES, EXPRESSED OR IMPLIED, INCLUDING ANY PARTICULAR PURPOSE OR USE, AND SPECIFICALLY IN LIEU OF ALL SPECIAL, INDIRECT, INCIDENTAL, OR CONSEQUENTIAL DAMAGES (INCLUDING BUT NOT LIMITED TO ANY LOSS OF BUSINESS OR PROFITS, WHETHER OR NOT FORESEEABLE) RESULTING FROM THE USE OF THE PRODUCT OR ARISING OUT OF ANY BREACH OF THIS WARRANTY. Some states or provinces do not allow the exclusion of incidental or consequential damages, so the above limitation or exclusion may not apply.
- This warranty gives you specific rights, and you may also have other rights that vary from state to state.

NOT COVERED

- Failure of the product as a result of an accident, abuse, negligence, alteration, or faulty installation, or any other failure not relating to faulty material or workmanship.
- Damaged caused by electronic equipment plugged into the timer.
- Reimbursement for inconvenience, installation, setup time, loss of use, or unauthorized service.
- Special, indirect, incidental or consequential damages.

