

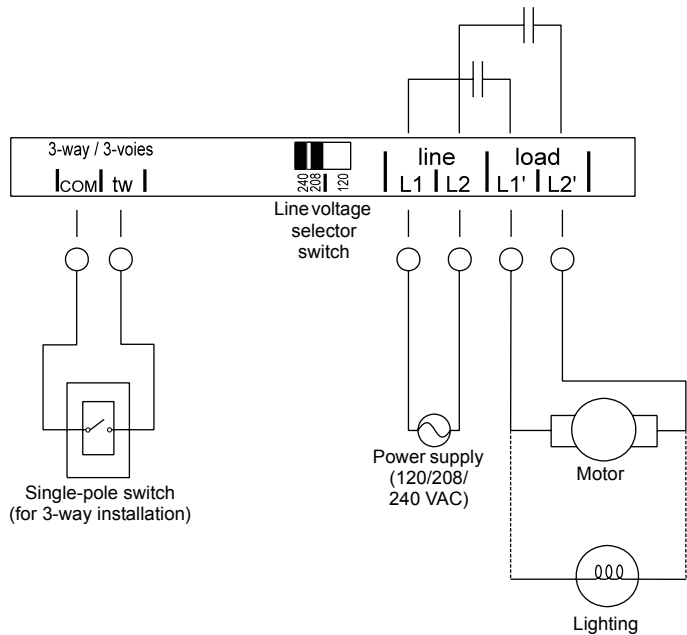


Installation and User Guide
Industrial Indoor / Outdoor Timer

1 Applications

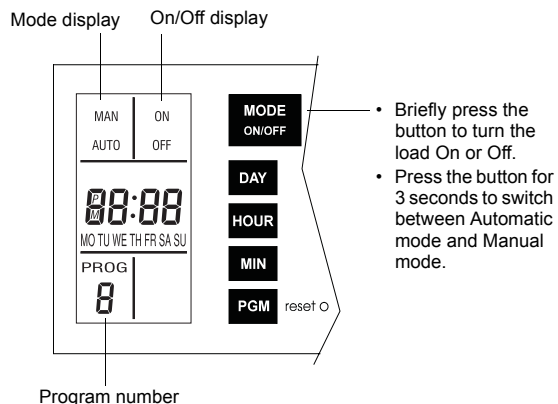
Load type	Maximum load	Examples
Resistive load	30 A	<ul style="list-style-type: none"> incandescent lights halogen lights block heater
Inductive load	10 A	<ul style="list-style-type: none"> fluorescent lights compact fluorescent lights (CFL) sodium lamps electronic ballasts
Motor	1.5 hp @ 120 VAC 2.0 hp @ 240 VAC	<ul style="list-style-type: none"> pool filter pumps fans

2 Installation



- 1 Cut power at the circuit breaker to avoid electric shock.
 - 2 Perform the connections as shown on the wiring diagram.
- NOTE:** For a 3-way installation, connect a standard single-pole switch to the 3-way terminals of the timer as shown on the wiring diagram.
- 3 Select the proper operating voltage.
 - 4 Apply power at the circuit breaker.

3 Power-On



At power-on, 0:00 will flash. Otherwise, press **reset** using a paper clip. If the display is blank, verify the power supply.

4 Setting the Clock

NOTE: The switch displays the time in 24-hour format by default or following a reset.

- 1 To change to 12-hour format (or vice versa), proceed as follows:
 - a) Press the **MODE** button to ensure the **MAN** or **AUTO** indicator is displayed.
 - b) Press the **MIN** and **HOUR** buttons simultaneously and briefly (0:00 display = 24-hour, 12:00 display = 12-hour).
- 2 Set the time using the **HOUR** and **MIN** buttons. If you have selected the 12-hour format, ensure that **PM** appears on the screen when an afternoon time is displayed.
- 3 Set the day by using the **DAY** button.
- 4 Press the **MODE** button to return to normal operation.

5 Selecting the Operating Mode

The programmable switch has 2 operating modes: manual (**MAN**) and automatic (**AUTO**). To switch mode, press the **MODE** button for 3 seconds.

Manual Mode

In Manual mode, the timer operates like a regular switch. Briefly press the **MODE** button to activate or deactivate the load. (If you have connected a remote switch to the timer for a 3-way installation, the switch can also be used to activate or deactivate the load.) The mode indicator (**MAN**) and the state (**ON** or **OFF**) are displayed.

Automatic Mode

In Automatic mode, the timer follows the programmed schedule (see section 6). The mode indicator (**AUTO**), the state (**ON** or **OFF**) and the current program number are displayed.

To temporarily override the programmed schedule, press the **MODE** button or use the 3-way installation switch (if connected). The new

state indicator will flash to show that this state is temporary. The override remains in effect until you press the **MODE** button (or use the remote switch) or until the beginning of the next program.

6 Programming

You can set up to 7 programs. To set a program, you need to enter its start time (**ON**) and its end time (**OFF**).

- 2 Press the **PGM** button to display a program and its On or Off time. For example, when you first press **PGM**, program number 1 (**P1**) and its On time (**ON**) will appear. - : - - will appear instead of the time if the program is not set (inactive).
- 3 Press the **DAY** button to select the day to which you want to apply the program.
NOTE: *If you want to apply the same program to each day of the week, press **DAY** until all the days are displayed. (This still counts as 1 program, not 7.)*
- 4 Press the **HOUR** and **MIN** buttons to set the **ON** time (time when you want the lights to turn on). If you have selected the 12-hour format, ensure that **PM** appears on the screen when an afternoon time is displayed.
- 5 After you have programmed the **ON** time, press the **PGM** button to display the **OFF** time (time when you want the lights to turn off).
- 6 Repeat steps 3 through 5 to program the **OFF** time.
NOTE: *If you have used only one program to set the ON time for all 7 days, the OFF time of that program will automatically apply to all 7 days.*
- 7 To set another program, repeat steps 2 through 6. Programs that are not set will remain inactive.
- 8 Press the **MODE** button to return to normal operation.

Clearing a Program

Press the **PGM** button until the desired program is selected. Hold the **PGM** button for 3 seconds. - : - - appears when the program is erased.

7 Technical Specifications

Supply: 120/208/240 VAC, 50 / 60 Hz

Maximum load: See section 1

3-way input: Requires a dry contact

Operating temperature range: -40 °C to 50 °C (-40 °F to 122 °F)

Enclosure type: 3R

Certifications: CSA & UL

Power outage: The programs are protected by a rechargeable battery. The screen is blank during the power outage.



Warranty

AUBE warrants this product, excluding battery, to be free from defects in the workmanship or materials, under normal use and service, for a period of three (3) years from the date of purchase by the consumer. If at any time during the warranty period the product is determined to be defective or malfunctions, AUBE shall repair or replace it (at AUBE's option).

If the product is defective,

- (i) return it, with a bill of sale or other dated proof of purchase, to the place from which you purchased it, or
- (ii) contact AUBE. AUBE will make the determination whether the product should be returned, or whether a replacement product can be sent to you.

This warranty does not cover removal or reinstallation costs. This warranty shall not apply if it is shown by AUBE that the defect or malfunction was caused by damage which occurred while the product was in the possession of a consumer.

AUBE's sole responsibility shall be to repair or replace the product within the terms stated above. AUBE SHALL NOT BE LIABLE FOR ANY LOSS OR DAMAGE OF ANY KIND, INCLUDING ANY INCIDENTAL OR CONSEQUENTIAL DAMAGES RESULTING, DIRECTLY OR INDIRECTLY, FROM ANY BREACH OF ANY WARRANTY, EXPRESS OR IMPLIED, OR ANY OTHER FAILURE OF THIS PRODUCT. Some provinces, states or regions do not allow the exclusion or limitation of incidental or consequential damages, so this limitation may not apply to you.

THIS WARRANTY IS THE ONLY EXPRESS WARRANTY AUBE MAKES ON THIS PRODUCT. THE DURATION OF ANY IMPLIED WARRANTIES, INCLUDING THE WARRANTIES OF MERCHANTABILITY AND FITNESS FOR A PARTICULAR PURPOSE, IS HEREBY LIMITED TO THE THREE-YEAR DURATION OF THIS WARRANTY. Some provinces, states or regions do not allow limitations on how long an implied warranty lasts, so the above limitation may not apply to you.

This warranty gives you specific legal rights, and you may have other rights which vary from one province, state or region to another.



Customer Assistance

If you have any questions on the product installation or operation, contact us at:

705 Montrichard Avenue
Saint-Jean-sur-Richelieu, Quebec
J2X 5K8
Canada
Tel.: (450) 358-4600
Toll-free: 1-800-831-AUBE
Fax: (450) 358-4650
Email: aube.service@honeywell.com

For more information on our products, go to
www.aubetech.com