

1. Introduction

The TI032-3W programmable wall switch is designed to control lighting loads such as incandescent, halogen, low voltage halogen with transformer, and fluorescent lights.

It features seven (7) ON/OFF programming sequences which can be programmed daily or weekly. The wall switch also includes a manual override that can be activated at any time.

The timer may be used for a single pole, an existing 3-way switch or a new 3-way switch installation.

2. Installation

This wall switch can be used for either single pole or multiswitch installation.

A multiswitch installation with an electronic wall switch differs from conventional installation.

Read wiring instructions carefully and follow guidelines applicable to your installation.

2.1 Guidelines

TURN OFF POWER AT THE MAIN POWER PANEL TO AVOID ELECTRICAL SHOCK.
THE MAXIMUM LOAD MUST NOT EXCEED 500 W @ 120 V (MIN 40 W).

- The wall switch must be mounted onto a standard single or multi-gang electrical box.
- Avoid locations where ambient temperature can exceed 50°C (122°F).
- Do not clean the timer with a solvent or an abrasive cleaner; use a lint-free cloth and a mild soap.

2.2 Installation Procedure

- 1 If you are replacing an existing switch, remove the switch. For an existing 3-way installation, identify the wire connected to the "common" screw.
- 2 Reconnect each disconnected wire to the new programmable wall switch according to your application.
- 3 Push the wires into the electrical box leaving space for the timer and secure the timer using the provided screws.
- 4 Install the wall plate (not included).
- 5 Return power at the circuit.
- 6 Power-on the switch and test the operation of the switch(es). See Power-On and Test Installation section for information.

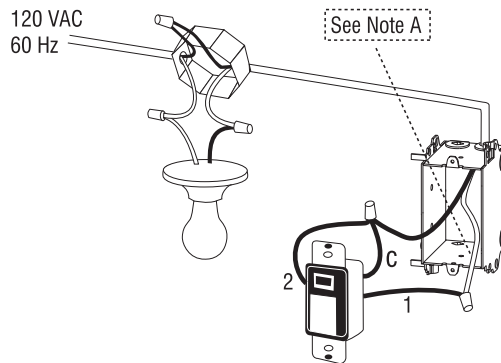
NOTE: See also the Troubleshooting section.

NOTE A:

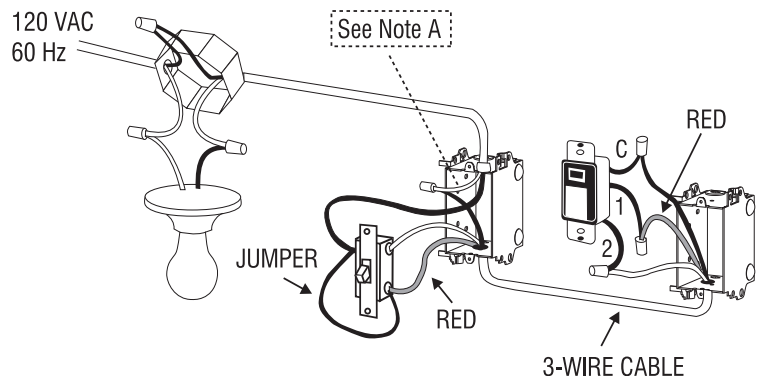
The white wire is not the neutral wire but the wire going to the load.

2.3 Single Pole Installation

When installing, ensure wire "2" is connected with the line wire identified as "C".



2.4 Existing 3-way Installation

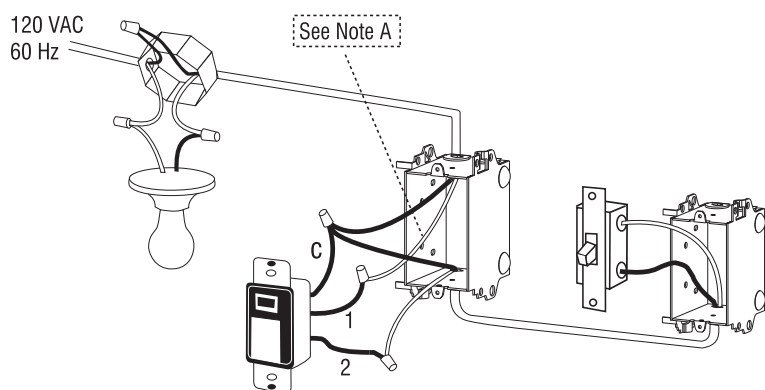


The "common" wire, previously identified upon removal of the old switch, must be connected to the "C" wire of the programmable wall switch. Connect the two other wall switch wires to the two remaining wires (see above).

Connect the supplied jumper wire from the "common" terminal screw to the screw terminal where wire "1" of the wall switch is connected.

2.5 New 3-way Installation

For a new installation, a single pole switch can be used at the remote location. Refer to the following wiring diagram:



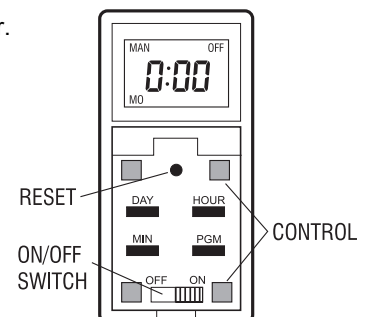
NOTE: The provided jumper wire is not used for this type of installation.

3. Power-On and Test Installation

- 1 Open the cover using a small flat tip screwdriver.
- 2 Set the ON/OFF switch to ON.
- 3 RESET using a pointed object (e.g. paper clip).
- 4 The screen should display: 0:00, MO, MAN and OFF.

If the screen is blank, check the following:

- a) The ON/OFF switch may not be engaged in the ON position; try pushing it further to the right.
- b) If the wall switch controls a lamp equipped with its own ON/OFF switch, ensure the lamp switch is ON.
- c) If the wall switch only controls one light bulb, turn the switch OFF and check if the light bulb is good and tightly screwed in its socket.



- 5 Once the screen is back on, test the installation.

3.1 Test Installation

Push and release the cover to switch ON or OFF or press one of the four control buttons located in each corner. If you also have a remote switch, flip the switch.

- Lights ON: installation is successful.
- Lights OFF:
 - a) Turn power off and rewire.
 - b) If you have an existing 3-way installation, turn power off at the power panel and try switching the jumper wire to the other terminal.

3.2 Set the Time and Day

- 1 Select the time format (default is 24 hour). Ensure the MAN or AUTO indicator is displayed, then press and maintain the MIN and HOUR buttons simultaneously and release: 0:00 = 24 hour format, 12:00 = 12 hour format
- 2 Use HOUR and MIN to set the time (PM indicates an afternoon or evening time when using the 12-hour format).
- 3 To set the day, press DAY several times until the current day is displayed (e.g. Tuesday = TU).
- 4 Close the wall switch cover or press one of the "control" buttons to return to normal operation.



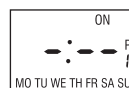
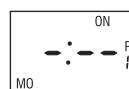
4. Programming

4.1 Recording the Programs

You can record up to 7 program sequences. Each program consists of 2 sequences: ON and OFF which can be programmed daily or weekly.

NOTE: Both ON and OFF sequences must be defined for a program to be active.

- 1 Open the wall switch cover using a small flat tip screwdriver.
- 2 Press PGM to select a program. The first sequence to be defined is the ON time (lights on).
The program number (i.e. 1) and sequence (ON) are displayed. This symbol — : — — indicates an inactive program.
- 3 Select the DAY to be programmed for the active sequence.
To select all days, press DAY several times until all days are displayed.
- 4 Set the time using HOUR and MIN for the active sequence.
Make sure the PM indicator is displayed if you are programming an afternoon period and using the 12 hour format.
- 5 Press PGM again to set the OFF time (lights off) of the program.
Repeat steps 3 and 4 to set the day and time.
- 6 Repeat steps 2 to 5 for other programs (up to 7 programs).
- 7 Close the cover or press any "control" button to return to normal operation.



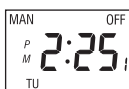
4.2 To Clear a Program

Use the PGM button to select the program, then hold PGM for 3 seconds until the screen displays — : — —. To view the programs, press PGM successively.

4.3 Select an Operating Mode

To select a mode, press and hold the cover until the indicator is displayed (MAN/AUTO).

MANUAL—When activated, the wall switch operates as a regular switch. Simply press the cover or activate the remote switch (3-way) to turn the lights ON or OFF. The MAN indicator and status (ON or OFF) are displayed.



AUTOMATIC—When activated, the recorded ON/OFF programs are executed in sequence. The current program number and status (ON/OFF) are displayed.



This timer features a manual override that can be activated at any time to temporarily override programming until the beginning of the next program. Press the cover or flip the remote switch (3-way) to override programming; the ON or OFF indicator flashes to indicate the bypass.

TROUBLESHOOTING

Problem	Cause	Solution
Blank display	Breaker open The single light bulb on circuit is burnt On/Off switch to of (see Section 3)	Set breaker to On Change the light bulb Set On/Off switch On
Faded or irregular display	Load is less than 40 W The ambient temperature is below 32°F	The total wattage of your light bulbs does not reach the required minimum Designed to operate between 32 and 122°F
Cannot switch from 24 to 12 hour clock	MAN or AUTO is not displayed	Press one of the control buttons to display MAN or AUTO, then resume process
Programs do not run as expected	Programmed schedules are incorrect	Check each program to find errors (AM, PM) - : - indicates an inactive program and 00:00 indicates midnight Make sure the OFF sequence is correct
Metal plate is hot	Maximum load exceeds 500 W	In normal operation, at full capacity, the metal plate can get hot. However, exceeding the maximum capacity increases the product temperature and may damage it

Technical Specifications

Model: TI032-3W

Supply: 120 VAC, 50 / 60 Hz

Load: 40 W min., 500 W max.

Approvals: CSA & UL

Storage temperature range: -4°F to 122°F (-20°C to 50°C)

Operating temperature range: 32°F to 122°F (0°C to 50°C)

Memory backup: programs are protected against a power failure by a rechargeable battery. The screen is blank during a power outage.

Warranty and Service

AUBE TECHNOLOGIES INC ONE (1) YEAR LIMITED WARRANTY

This product is guaranteed against workmanship defects for a one year period following the initial date of purchase. During this period, AUBE Technologies Inc. will repair or replace, at our option and without charge, any defective product which has been used under normal conditions. The warranty does not cover delivery costs and does not apply to products poorly installed or randomly damaged following installation. This warranty cancels and replaces any other manufacturer's express or implied warranty as well as any other company commitment. AUBE Technologies Inc. cannot be held liable for related or random damages following the installation of this product. The defective product as well as the purchase invoice must be returned to the place of purchase or mailed, prepaid and insured, to the following address:

Aube Technologies Inc.
705 Montrichard
Saint-Jean-sur-Richelieu, Quebec, Canada J2X 5K8

If you have any questions concerning the installation or programming of the wall switch, call our technical support team at:

Phone: Montreal area:(450) 358-4600
Canada / U.S.: 1-800-831-AUBE (2823)
Fax: (450) 358-4650
Email: service@aubetech.com
Monday to Friday from 8:30 AM to 5:00 PM EST.

For more information on our products, visit us at www.aubetech.com