



INSTRUCTION MANUAL

Telephone Controller

MODEL CT241-01

We thank you for trusting Aube technologies and hope that you will be entirely satisfied. For any questions concerning the CT241 telephone remote control, please call our Technical Support Department at:



1-800-831-AUBE (2823)

Montreal Area:

(450) 358-4600

[www.aubetech.com](http://www.aubetech.com)

[service@aubetech.com](mailto:service@aubetech.com)

TABLE OF CONTENTS

**SUMMARY** .....5

**1. INSTALLATION** .....7

1.1 Connection to an Automatic Device .....8

**2. USING WITH A TELEPHONE** .....9

2.1 Accessing the Telephone Controller with the Access Code .....9

2.2 Selecting an Output .....10

2.3 Changing the Output Status .....10

2.4 Changing the Access Code .....11

2.5 Changing the Number of Rings .....12

2.6 Logging Off .....12

**3. CHANGING THE STATUS FROM THE CT241** .....13

**4. RESETTING TO THE DEFAULT VALUES** .....14

**5. USING A TELEPHONE ANSWERING MACHINE** .....15

**6. LIGHT INDICATORS** .....16

**7. TECHNICAL SPECIFICATIONS** .....17

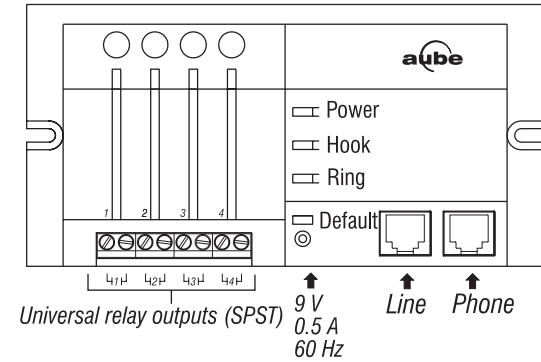
**WARRANTY** .....18

### SUMMARY

The telephone controller CT241 allows the control of four independent loads. Each load can be activated or deactivated from a telephone, or manually from the CT241.

5

### CT241-01



6

### 1. INSTALLATION

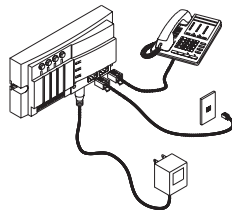
Any device connected to a telephone line must conform to the country's regulations. The CT241-01 model meets the FCC68 standard for installation on the North-American network.

To install a telephone controller in another country, please contact our Customer Service Department for advice on the appropriate model.

**ATTENTION:** To cut off power in the device, unplug the electricity supply wire. You must never open the CT241, because there is a risk of electrical shock.

#### MATERIAL PROVIDED

- One CT241-01
- One 120 V power transformer
- One 5-meter telephone cable



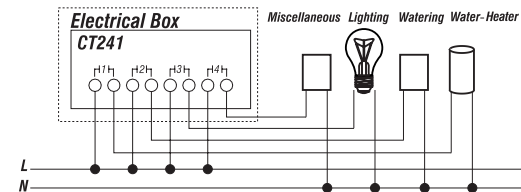
7

#### 1.1 CONNECTION TO AN AUTOMATIC DEVICE

1. Mount the CT241 on a wall close to a telephone outlet.
2. Insert one end of the telephone cable in the "Line" connector on the CT241 and the other end into a telephone outlet in your home.

The four outputs of the CT241 allow you, for example, to activate the entry lighting or the watering system, reactivate the water-heater, etc.

The capacity of the relay outputs is 250 V/10A. However, to avoid electrical shocks, the direct connection of a charge with a tension higher than 30 VAC is not permitted, unless the CT241 is installed inside an electrical box certified by the standard setting body of the country.



8

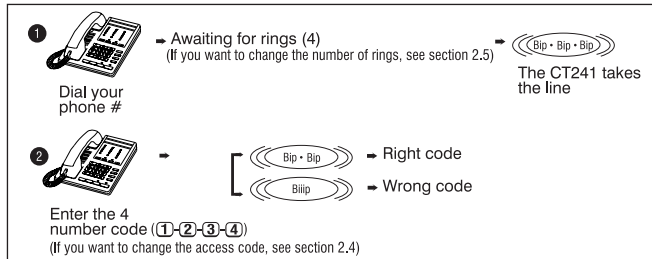
## 2. USING WITH A TELEPHONE

It is possible to change the status of the CT241 output relay, with the telephone keys.

By default, the CT241 is configured to answer after four telephone rings and to accept the access code "1234". These settings are programmable. You can modify them by referring to sections 2.4 and 2.5.

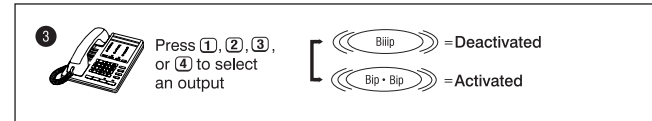
Note that the CT241 will automatically hang up if no keys are touched for 30 seconds.

### 2.1 ACCESSING THE TELEPHONE CONTROLLER WITH THE ACCESS CODE



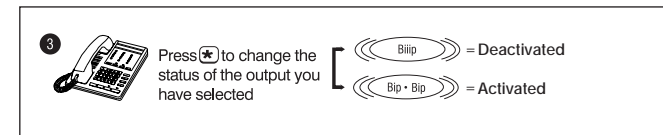
9

### 2.2 SELECTING AN OUTPUT



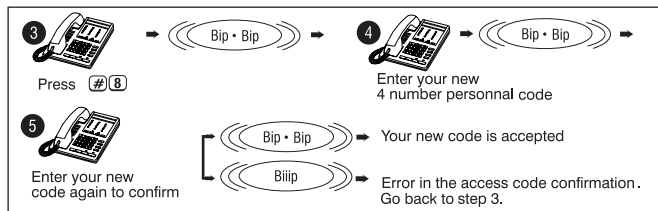
The CT241 indicates the status of the selected output.

### 2.3 CHANGING THE OUTPUT STATUS ( \* )



10

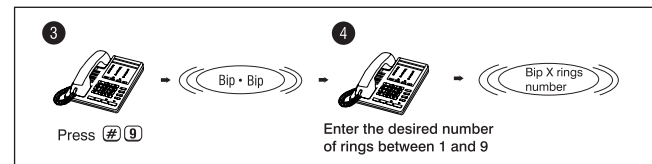
### 2.4 CHANGING THE ACCESS CODE ( # 8 )



\* If you enter the wrong access code more than 3 times, the communication will stop and you will have to go back to step 3.

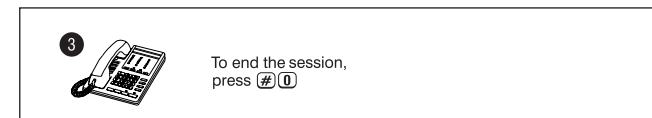
11

### 2.5 CHANGING THE NUMBER OF RINGS ( # 9 )



### 2.6 LOGGING OFF ( # 0 )

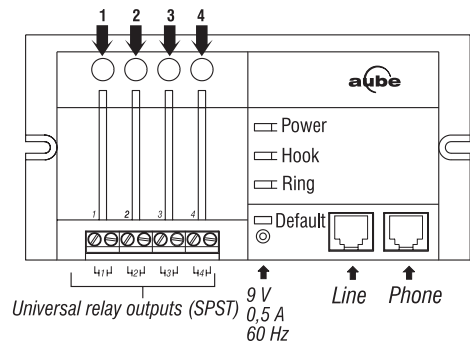
When you have finished, press # 0 to end the session with the CT241. You can also simply hang up the handset. The CT241 will then disconnect within 30 seconds.



12

### 3. CHANGING THE STATUS FROM THE CT241

You can switch the relay status by pressing on the CT241 corresponding buttons. This function is not accessible while the CT241 is answering a telephone communication.



13

### 4. RESETTING TO THE DEFAULT VALUES

It is possible to return to the default values by using a paper clip to press the Default button located to the left side of the telephone line outlet.

The indicator light located above the button will flash 3 times to signal that the remote control has been reset to the following values:

- 1) Number of rings: 4
- 2) Access code: 1234
- 3) Output status:
  - Thermostat mode = Comfort
  - Relay contacts 1-2 opened
  - Relay contacts 2-3 closed

14

### 5. USING A TELEPHONE ANSWERING MACHINE

If you own a telephone answering machine as well as the telephone controller, follow this procedure to access the controller by telephone:

- 1- Place the switch, located on the back of the CT241, in the answering machine mode. When you change the switch position, you must unplug the CT241 so the change can be effective.
- 2- Make sure the answering machine answers after a certain number of rings. This number has to be higher than 4.
- 3- Call home, let the telephone ring once and hang up.
- 4- Wait 10 seconds and call back.
- 5- The CT241 will answer on the first ring. However, you must call back within 30 seconds.

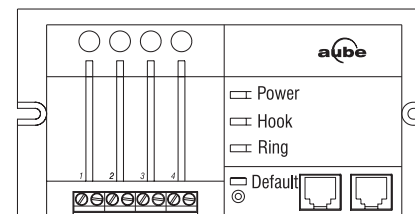
Note that programming a certain number of rings before the CT241 is activated has no effect when it is used with an answering machine.

15

### 6. LIGHT INDICATORS

The CT241's light indicators allow you to diagnose your installation.

- Power: Indicates that the circuit is under tension.  
Hook: Indicates that the remote control has opened the line.  
Ring: Flashes during ringing.  
Default: Flashes 3 times to indicate that the reset has been accepted.  
Output's light indicator: Activated output



16

## 7. TECHNICAL SPECIFICATIONS

- Power supply of 9 VAC/60 Hz or 12 Vcc, 200 ma
- 1 SPDT output contact with the following capacity:
  - 10 A/30 VAC resistive
  - 5 A/30 VAC inductive F.P.O.4
  - 10 A/250 V resistive (if the CT241 is installed inside a certified electrical box)
  - 1 hp/250 V (if the CT241 is installed inside a certified electrical box)
  - 1/2 hp/120 V motor (if the CT241 is installed inside a certified electrical box)
- Class 2 insulation
- Manual selection of the output contact status
- Programmable access code
- In case of power failure, the output status and the access code are memorized
- Viewing the output status
- Connects directly to the telephone line
- Compatible with a telephone answering machine
- FCC68 certified for connection to the North-American telephone network

17

## WARRANTY

This product is guaranteed against workmanship defects for a two-year period following the initial date of purchase in an authorized retail store. During this period, AUBE technologies inc. will repair or replace, at its option and without charge, any defective product which has been used under normal conditions.

The warranty does not cover delivery costs and does not apply to products badly installed or damaged by accident.

This warranty cancels and replaces any other manufacturer's express or tacit warranty as well as any other company commitment. AUBE technologies inc. cannot be held liable for related or random damages following the installation of this product.

The defective product as well as the purchase invoice must be returned to the place of purchase or mailed, prepaid and insured, to the following address:

18



**AUBE TECHNOLOGIES INC.  
SERVICE CENTER**



705 Monrichard  
Iberville (Québec)  
Canada J2X 5K8

Tél. : (450) 358-4600  
1-800-831-AUBE (2823)  
Fax : (450) 358-4650  
[www.aubetech.com](http://www.aubetech.com)  
[service@aubetech.com](mailto:service@aubetech.com)

27/03/00 720-2410109