

3.3 Device with an output 380V - 400V up to 12kW (three phase)

1. A separate electrical line is needed as device of this output.
2. The device must be connected to a separate multi polar circuit breaker of 3 x 20A.
3. The recommended electrical cable for feeding the device is 5 x 4mm².
4. In single - phase network, the device will be connected to a single polar circuit breaker of 60A and cable (3 x 10mm²) or (3 x AWG -6).

For one phase or 2 x 127V(2~) are short circuited together

1. 3 - pole switch
2. Terminal block
3. Thermostat with reset
4. Read sensor
5. Switches with lights
6. Relay
7. Heating elements
8. Thermostat

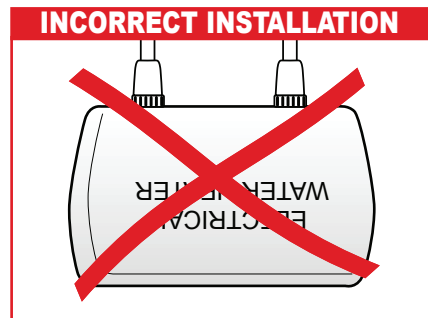
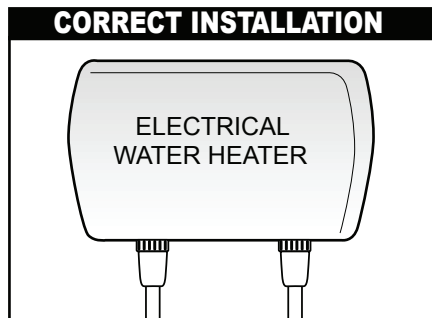
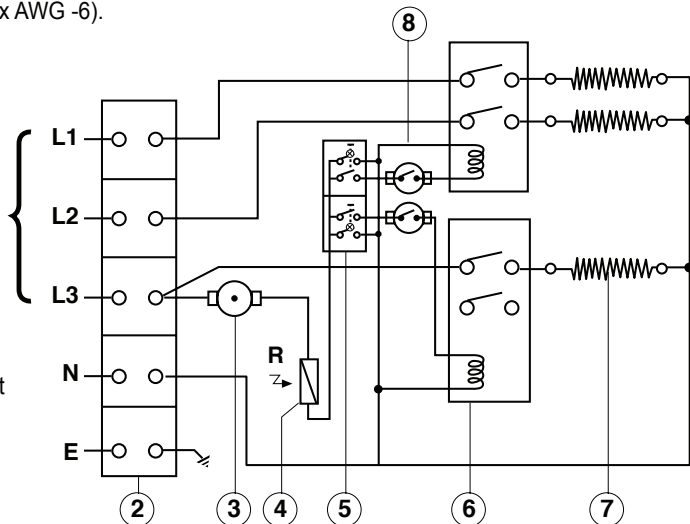


Table I recommended cable & fuse

Model	Heat Setting	kW loading			Recommended cable size	Recommended fuse rating
		220V	230V	240V		
InLine - 3.0	1.0;2.0 or 3.0kW	3.0	3.3	3.6	2.5mm ²	16amps
InLine - 3.5	1.5;2.0 or 3.5kW	3.2	3.5	3.8	2.5/4mm ²	20amps
InLine - 5.0	2.0;3.0 or 5.0kW	5.0	5.5	6.0	4/6mm ²	25amps
InLine - 5.5	2.5;3.0 or 5.5kW	5.5	6.0	6.6	4/6mm ²	25-32amps
InLine - 7.0	3.0;4.0 or 7.0kW	7.0	7.7	8.3	6/10mm ²	40amps
InLine - 8.0	4.0;4.0 or 8.0kW	7.3	8.0	8.7	6/10mm ²	40amps
InLine - 9.5	4.5;5.0 or 9.5kW	8.7	9.5	10.3	10mm ²	45amps

- Operating water pressure 0.3-7 BAR (5-100 psi)
- Water pressure operated flow switch
- Standard 1/2"fl compression inlet connection
- Top-left and right cable entry
- Bottom-left water entry

UNIT DIMENSIONS: HEIGHT 185mm WIDTH 300mm DEPTH 110mm

P.N. 166015B?

ATMOR INSTANT WATER HEATER

InLine
HIDDEN INSTALLATION



Directions of Assembly and Operation of "In-Line" Instant Water Heater

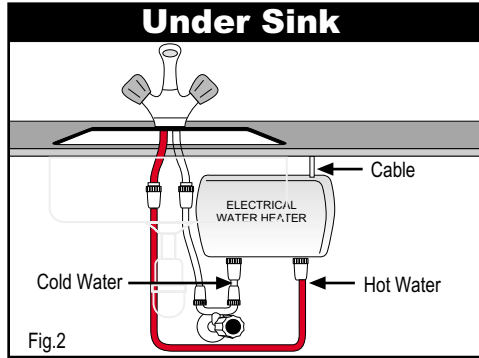
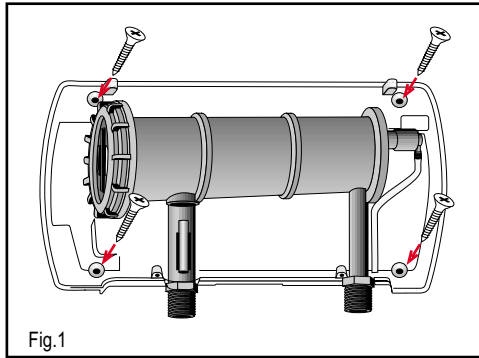
An Instant appliance is novel device designed to supply hot water instantaneously upon demand while conserving electricity, water and energy. The In-Line is the most advanced heater in the Instant family and as such can be installed anywhere, and serve any purpose. When the flow switch turns on the electrical current, the heating element heats only the amount of water economically needed for use.



Installation Instructions

This water heater must be installed by a licensed electrician, as required by law.

1. Open the four screws located on top and bottom of the device and remove the cover from base.
2. Fix the base horizontally against a wall or side of cabinet, so that the water entry and exit connectors are on the down/bottom side of the unit. Use 4 mounting screws.



3. Use of the pre-installed water filter on the incoming water line is required to protect the heater.

4. Connect the incoming water line on the bottom left side and the outgoing water line to the bottom right side. Please check that there is no water leakage from the unit.
5. Connect and lock the electric lines to each corresponding connector. It is required that this device be properly grounded. The 3.5kW unit may be plugged in, providing that the outlet is properly grounded.
6. Turn on the unit and check that it is operating as required.
7. Reconnect the cover to the base with 4 screws.
8. It is required that a Ground Fault Circuit Interrupter/Earth Leakage Circuit Breaker be incorporated in the circuit.

9. Make sure that there is pressure release valve in your water system. Units up to 10.5kW include a pressure unloading valve/PRD.

10. It is required to install the included flow control restrictor at the sink or shower.

11. Without supervision the use of the appliance by young children or infirm person is forbidden. Playing with the unit by young children is forbidden.

Operation Instructions

1. Your new Instant Water Heater is flow activated. Simply place one or both switches in the ON position and turn on the hot water tap. You'll need to allow at least 1.2 liters per minute, or 1.3 quarts per minute to flow through the unit in order to activate the Instant Heating System.
2. Be sure to every so often clean the spray head of sediment to assure a smooth water flow.
3. Be sure to every so often clean the incoming water filter too.
4. The maximum operating water pressure is 8 atmospheres or 115 PSI. This is well above the usual 3 atmospheres or 40 PSI most municipal water systems provide.
5. Be sure to install your Instant Water Heater in a heated location. It cannot be installed where temperatures drop below freezing.
6. There are two ways to adjust the hot water temperature. One is by adjusting the flow, the other is by changing the electrical settings on the unit. The slower the flow, the more time the unit has to heat the water, resulting in higher water temperatures. Adding more rings to the water flow restrictor will limit the flow and increase the output water temperature. You may choose the low, medium or high settings on the heater, as required to achieve the water temperature desired.

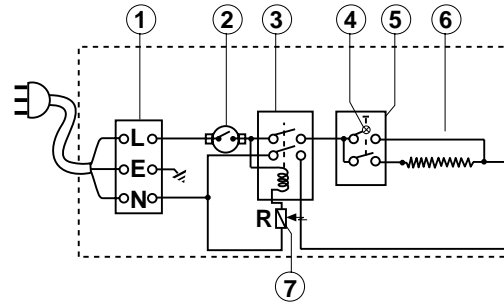
Setting 0/OFF: No heating, Lamp will not light. Setting 1: Low heating, lamp 1 will light.
 Setting 2: Medium heating, lamp 2 will light. Setting 3: Maximum heating, both lamps will light.

For 220V - 240V 3.5kW unit only positions 0 & 1 are available.

3. INSTALLATION

3.1 Device below a sink with 220V - 240V up to 3.5kW output

- A. No separate electrical line is needed for the 3.5 watt unit.
- B. The device must be connected to a properly grounded 16 amp circuit.
- C. The recommended electrical cable for feeding the device is 3 x 1.5mm²/AWG Central Line



- | | |
|--------------------|--------------------|
| 1. Terminal block | 5. Switch 0- Off |
| 2. Thermal cut-out | (Option) 1- Low |
| 3. Relay | 6. Heating element |
| 4. Light | 7. Read sensor |

3.2 Device below a sink with 220V - 240V up to 10.5kW output

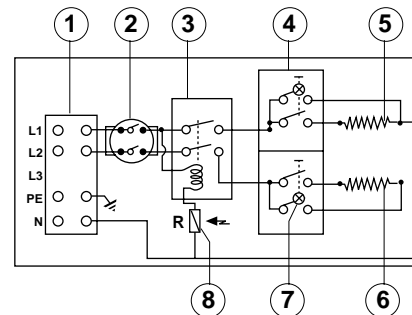
1. A separate electrical line is needed as device of this output, see table I for recommended cable and fuse. For 2 phase 5 x 4 mm²

Device with an output 110V / 4kW

- a. A separate electrical line is required.
- b. The device must be connected to a separate 40 Amp circuit breaker.
- c. The recommended electrical cable for feeding the device is (3 x 6.0mm²) or (3 x AWG - 8)

UP TO 10.5 kW - TWO PHASE

recommended 3 x 25A fuse
& cable feeding 5 x 4.0mm²



- | | |
|--------------------|-------------------------|
| 1. Terminal block | 5. Low heating element |
| 2. Thermal cut-out | 5. High heating element |
| 3. Relay | 7. Light |
| 4. Switch 0- Off | 8. Read sensor |
| 1- Low | |
| 2- Medium | |
| 3- High | |

UP TO 10.5 kW - ONE PHASE

