



## ⚠ WARNING

- Before removing any access panels or servicing the water heater, make sure the electrical supply to the water heater is turned "OFF."
- Failure to do this could result in death, serious bodily injury, or property damage.

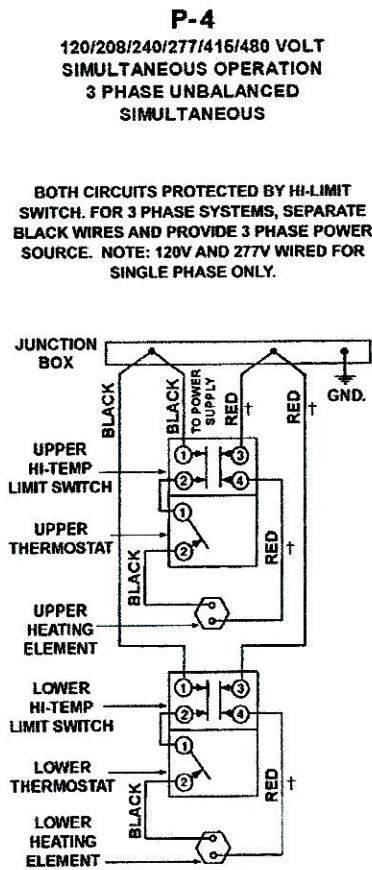
# WIRING DIAGRAMS

## RESIDENTIAL ELECTRIC

### WATER HEATERS

## CURRENT PRODUCTION

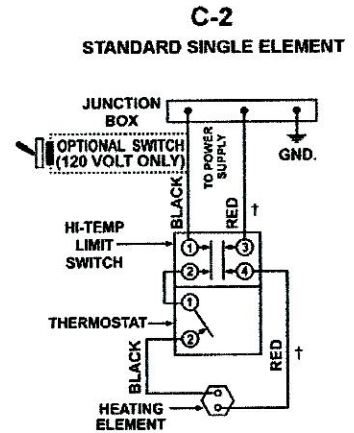
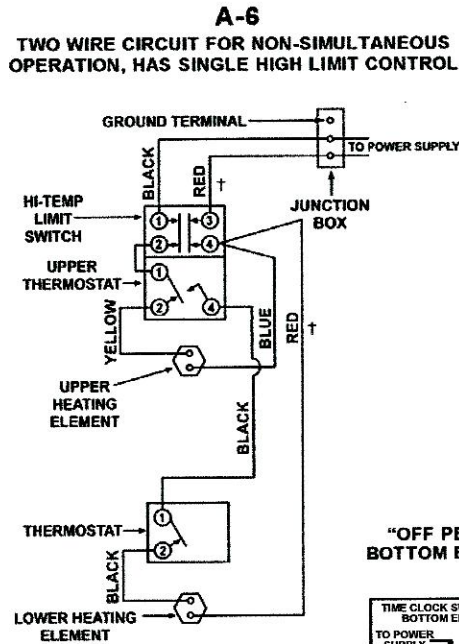
FOR ACTUAL WIRING CIRCUIT OF UNIT - REFERENCE CIRCUIT TYPE LISTED ON RATING PLATE.



\*NOTE: SOME LOWER HI-TEMP. LIMIT SWITCHES MAY HAVE 4 TERMINALS. USE ONLY THE 2 TERMINALS ON LEFT.

† 120V AND 277V WILL HAVE WHITE WIRE IN PLACE OF RED.

**MAXIMUM ALLOWABLE SIMULTANEOUS OPERATION**  
5000/5000 WATTS AT 208 VOLTS 5500/5500 WATTS AT 240 VOLTS. ANY WATTAGE USAGE HIGHER THAN LISTED ABOVE EXCEEDS ALLOWABLE AMP DRAW AND WILL CAUSE DAMAGE TO THE WATER HEATER OR COULD RESULT IN FIRE.



**A-9**  
"OFF PEAK" NON-SIMULTANEOUS OPERATION  
BOTTOM ELEMENT ON SEPARATE TIME CLOCK OR  
"OFF PEAK" METER

