

<http://waterheatertimer.org/Paragon-timers-and-manuals.html>

PROCESS CONTROLS

Sixty-second resolution means Paragon's 8025 Series offers a precise, flexible solution not found anywhere in its category. The 8025 Series is most often installed in agricultural or livestock situations where a two-hour minimum exists between operations such as feeding, conveying, spraying or pumping. This family of fast and easily-installed controls is available in 120 and 240 volts and in NEMA 1 and NEMA 3R enclosures.

FEATURES & BENEFITS:

- ▶ Highest resolution available (from 60 seconds to 27-1/2 minutes) allows precise and flexible load manipulation.
- ▶ Wiping contact blades maintain a consistent contact surface.
- ▶ Multi-pole clock enables timer to run multiple electrical loads simultaneously.
- ▶ Robust, sealed synchronous motor is durable and reliable.
- ▶ Hasp for padlock or seal gives control heightened security.
- ▶ UL and CSA listed means quality and durability are built into every time control.



WHY ▶ *Specify Paragon*

Since 1903, Paragon has been the leader in time and process control technology. As inventor of the 24-hour time switch, Paragon's heritage of patents, unparalleled quality and solutions-driven innovations have made us one of the most recognized names in time control products.

8025 SERIES



PHYSICAL

In NEMA 1 enclosure

Weight Approximately 3.5 lbs. (1.6 kg)
Dimensions Width 4.4"
Height 7.7"
Depth 3.8"

In NEMA 3R enclosure

Weight Approximately 4 lbs. (1.8 kg)
Dimensions Width 6-1/2"
Height 9"
Depth 3-7/8"

ENVIRONMENTAL

Models 8025-00 and 8025-20 are housed in a NEMA 1 indoor metal enclosure. These models are applicable for conventional indoor applications.

Model 8025-00P is housed in a NEMA 3R indoor/outdoor non-metallic enclosure.

ELECTRICAL SPECIFICATIONS

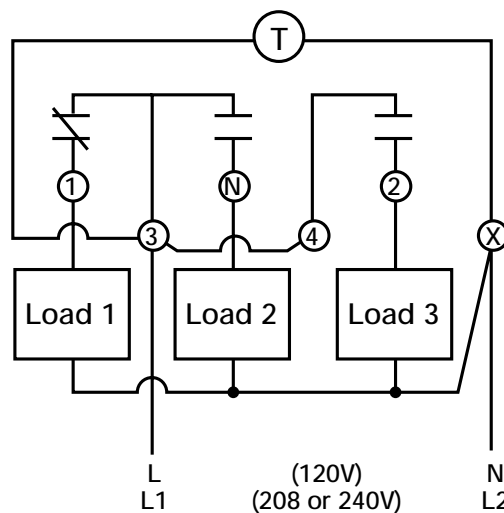
Model No.	AC Line Volts	Enc. Type NEMA	Shipping Wt.	
			Lb.	Kg.
8025-00	120	1	3-1/2	1.6
8025-00P	120	3R	4	1.8
8025-20	208-240	1	3-1/2	1.6

Hertz = 60 P = Plastic
Switch rating per pole = 40 non inductive, 690 VA, 2 hp.
Switch type = 2NO-1NC.
Furnished with four dial pins.

HOW TO SPECIFY

Installer shall furnish and install Paragon (Model No.) 24-Hour Adjustable Cycle Time Control with 2 NO - 1 NC switch. Contacts to be rated at 40 amperes up to 240 volts. Control shall have NEMA 1 indoor metal enclosure. (Model 8025-00P shall have NEMA 3R indoor/outdoor non-metallic enclosure.)

TYPICAL WIRING DIAGRAM



Maple Chase Company
2820 Thatcher Road
Downers Grove, Illinois 60515-4040
United States of America
Telephone +1 800 951 5526
Facsimile +1 630 963 0650

Canada
Director of Canada Sales
5785 Kennedy Road
Mississauga, Ontario L4Z 2G3
Telephone 1 905 890 5956
Facsimile 1 905 890 6098

An Invensys company



Part Number 150-1450