

TORK MODEL 8007V DUTY CYCLE TIMER

SWITCH: SPDT

CONTACT RATINGS:

20 AMP 120/240VAC

3/4HP 120VAC;

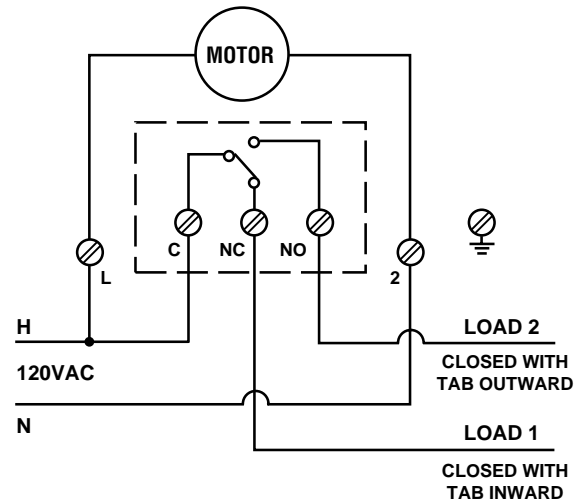
1-1/2HP 240VAC

TIMING MOTOR:

120VAC 60Hz

POWER CONSUMPTION:

3 WATTS MAX.



Disconnect power at main panel prior to installing or servicing this time switch or the equipment connected to it.

Connect in accordance with national and local electrical codes.

Supply Connections: Use gauge specified (AWG # 8-14) suitable for 75 degrees C (167 degrees F)

TO ALTERNATE CIRCUITS ONCE EACH WEEK, leave all dial tabs in ON position and turn 7 consecutive omitting screws down and leave the other 7 turned out.

TO SET OPERATING TIMES: Each dial tab represents approximately 15 minutes. These tabs can be tilted in and out with the fingers.

FOR OFF OPERATION: Tilt tabs out-ward as illustrated in figure 1. Tilt out one tab for each fifteen minute period. This closes load 2 and opens load 1.

FOR ON OPERATION: Tilt tabs inward toward center of dial, as illustrated in figure 2. This closes load 1 and opens load 2.

TO SET TO TIME OF DAY: Turn dial counter-clockwise until the correct time of day is indicated by the arrow in center of 24 hour dial. Be sure to check whether time set is A.M. or P.M.

TO SELECT DAY OR DAYS OF THE WEEK FOR OPERATION: 14 spoke calendar wheel at lower right of dial rotates one revolution per 2 weeks. For day no ON operation is to occur (Load #2 remains energized), simply turn down the brass knurled screws of the appropriate spokes. CAUTION: Do not attempt to turn down screw in spoke while it is pointing to the black arrow. If necessary, turn 14 spoke wheel, then turn down screw.

TO SET 14 SPOKE WHEEL TO CORRECT DAY:

1. Turn dial counter-clockwise until special tab at 12:00 P.M. advances 14 spoke wheel.
2. Turn 14 spoke wheel by hand until spoke, indicating present day of week is pointing to black arrow (in operation, present day is always in this position).
3. Reset dial to correct time of day.

Fig. 1



Fig. 2



TORK®

1 GROVE STREET, MT. VERNON, NY 10550 TEL: 914-664-3542

FAX: 914-664-5052