

TORK MODEL 8007 DUTY CYCLE TIMER WITH OMITTING DEVICE

SWITCH: SPDT

CONTACT RATINGS:

20 AMP 120/240VAC

3/4HP 120VAC;

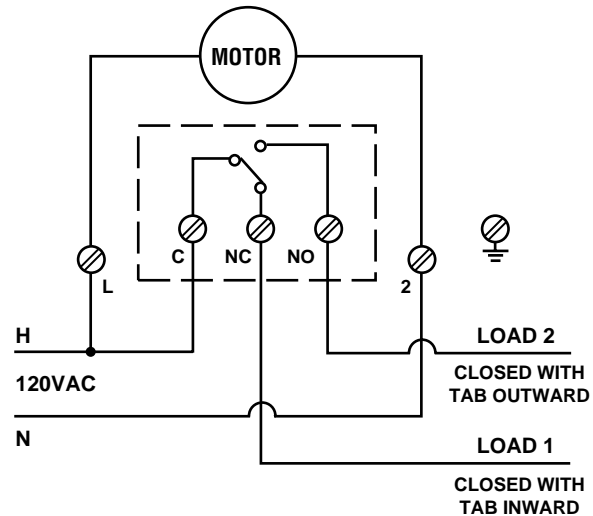
1-1/2HP 240VAC

TIMING MOTOR:

120VAC 60Hz

POWER CONSUMPTION:

3 WATTS MAX.



Disconnect power at main panel prior to installing or servicing this time switch or the equipment connected to it.
Connect in accordance with national and local electrical codes.
Supply Connections: Use gauge specified (AWG # 8-14) suitable for 75 degrees C (167 degrees F)

INSTALLATION AND OPERATING INSTRUCTIONS

TO SET OPERATING TIMES: Each dial tab represents approximately 15 minutes. These tabs can be tilted in and out with the fingers.

FOR OFF OPERATION: Tilt tabs outward as illustrated in figure 1. Tilt out one tab for each fifteen minute period. This closes load 2 and opens load 1.

FOR ON OPERATION: Tilt tabs inward toward center of dial, as illustrated in figure 2. This closes load 1 and opens load 2.

TO SET DIAL TO TIME: Turn dial counter-clockwise until correct time is indicated by arrow on nameplate. Be sure to check whether time set is A.M. or P.M.

TO OMIT OPERATIONS: 7 spoke wheel at lower right of 24 hour dial moves ahead once each day at about 2:00 A.M. Insert brass knurled screw in appropriate spokes on days when load 1 should remain open (load 2 remains closed). **CAUTION:** Do not attempt to insert screw in spoke while it is pointing to the copper colored arrow. If necessary, turn seven spoke wheel, then insert screw.

TO SET OMITTING WHEEL TO CORRECT DAY: If setting is being made later than 2:00 A.M. turn omitting wheel **CLOCKWISE** until present day of week is indicated by copper arrow. (Between midnight and 2:00 A.M., setting must be made to day just ended at midnight.)

TO REMOVE MECHANISM FROM CASE: Press lever near case latch to release mainplate and swing the movement out. To replace, insert mainplate projections in slots opposite latch and swing movement in until it latches.

Fig. 1



Fig. 2

