

# TORK MODEL 7122ZL ASTRONOMIC DIAL WITH DAY OMITTING

**SWITCH:** SPDT

**CONTACT RATINGS:**

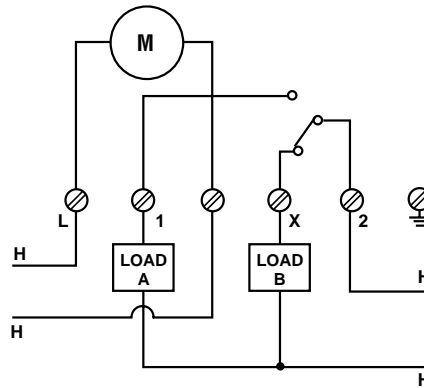
40 AMP 120-277VAC  
20 AMP INDUCTIVE  
120-277VAC SINGLE PHASE  
40 AMP TUNGSTEN 120VAC  
1000VA (120-277)  
PILOT DUTY  
2HP 120VAC; 5HP 240VAC

**TIMING MOTOR:**

208-277VAC 60Hz

**POWER CONSUMPTION:**

3 WATTS MAX.



Typical for 240VAC supply.

Disconnect power at main panel prior to installing or servicing this time switch or the equipment connected to it.  
Connect in accordance with national and local electrical codes.  
Supply Connections: Use gauge specified (AWG # 8-14) suitable for 75 degrees C (167 degrees F)

## INSTALLATION AND OPERATING INSTRUCTIONS

**TO SET ON AND OFF TIMES:** First set dial to correct day of year by turning 5 point star wheel in either direction until the proper month and day are indicated by the day-of-year pointer. See figure 1. In operation, this wheel advances one spoke each day. Turn wheel until arrow indicates line dividing current month from previous month. Then turn wheel clockwise one spoke for each day passed since 1st day of month. ABOVE PROPERLY POSITIONS ON AND OFF TRIPPERS SO CONTROL WILL TURN ON AT DUSK AND OFF AT DAWN, adjusting each day to compensate for solar changes.

**OFF TIME CAN BE FIXED** at any time between 8:30 P.M. and 2:30 A.M. by depressing OFF pointer and moving it until desired OFF time is indicated on dial. See figure 2.

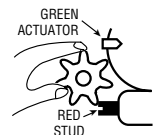
**TO ADJUST FOR LOCAL CONDITIONS:** Remove dial by removing center dial screw. Move pin in ON (Sunset) lever in the appropriate direction. See figure 2. Each hole is approximately 20 minutes. OFF (Sunrise) time may be similarly adjusted by depressing lever and moving to desired setting.

**TO SET DIAL TO TIME:** Turn dial counter-clockwise until correct time is indicated by arrow on nameplate. DIAL SHOULD ALWAYS BE SET TO STANDARD TIME, NOT DAYLIGHT SAVING TIME.

**FOR MANUAL OPERATION:** Press down lever on right of nameplate to turn ON. Press down lever on left of nameplate to turn OFF.

**TO OMIT OPERATIONS:** 7 spoke wheel at lower left of 24 hour dial moves ahead once each day, at about 9:00 A.M. Insert brass knurled screws in appropriate spokes on days when ON operations are not desired.

**TO SET OMITTING WHEEL TO CORRECT DAY:** Hold down OFF lever on left of nameplate. The red stud on this lever is the day-indicator. If green lever on 24 hour dial has already passed omitting wheel, turn omitting wheel clockwise until the present day of week is indicated. If green lever has not passed omitting wheel, set omitting wheel so preceding day is indicated. (24 hour dial turns counter-clockwise.)



**TO REMOVE MECHANISM FROM CASE:** Press lever near case latch to release mainplate and swing the movement out. To replace, insert main-plate projections in slots opposite latch and swing movement in until it latches.

