

<http://waterheatertimer.org/How-to-wire-Whole-house-surge-protector.html#outlet>

Back & Side Wired Surge Protected Receptacles



Cat. No. 5380-IG



Cat. No. 5280



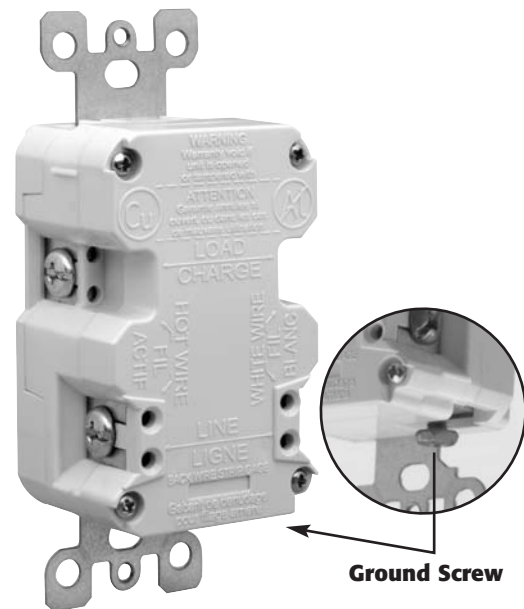
Cat. No. 7280

APPLICATION

Catalog Numbers Series 5280 and 5380 and 7280 and 7380 duplex receptacles provide hard-wired, point-of-use surge protection for electronic equipment used on 15 Amp and 20 Amp 125 Volt branch circuits. Both receptacles are available in conventional ground and Isolated Ground (-IG) versions.

TYPICAL SPECIFICATION

Catalog Number Series 5280 & 5380 and 7280 & 7380 duplex receptacles are designed for use where transient voltage surge suppressors are specified and hard-wired devices are preferred. The receptacles come with matching-color wallplates and are suitable for a wide range of industrial, commercial and residential applications. MOV-based circuitry provides surge protection for normal and common modes (phase-neutral, phase-ground and neutral-ground). The 5280/5380 series are provided with a LED indicator which monitors surge suppression status. The 7280/7380 series are provided with LED and Audible indicators. The audible alarm can be disabled by a set-screw located under removable label on the device face. The receptacles have been tested to ANSI/IEEE C62.41 standards for Category A and B environments and are UL 1449 (2nd Edition) Listed. The devices are also backed by Leviton's Limited Ten-Year Warranty.



Back and Side Wiring

General Data

5280 & 5380 7280 & 7380

BACK & SIDE WIRED DUPLEX SURGE PROTECTED RECEPTACLES

Color	15A-125V INDUSTRIAL GRADE SURGE, DUPLEX Indicator Light Cat. No.	15A-125V INDUSTRIAL GRADE IG, SURGE, DUPLEX Indicator Light Cat. No.	20A-125V INDUSTRIAL GRADE SURGE, DUPLEX Indicator Light Cat. No.	20A-125V INDUSTRIAL GRADE IG, SURGE, DUPLEX Indicator Light Cat. No.	15A-125V INDUSTRIAL GRADE SURGE, DUPLEX Indicator Light Audible Alarm Cat. No.	15A-125V INDUSTRIAL GRADE IG, SURGE, DUPLEX Indicator Light Audible Alarm Cat. No.	20A-125V INDUSTRIAL GRADE SURGE, DUPLEX Indicator Light Audible Alarm Cat. No.	20A-125V INDUSTRIAL GRADE IG, SURGE, DUPLEX Indicator Light Audible Alarm Cat. No.
Brown	5280	5280-IG	5380	5380-IG	7280	7280-IG	7380	7380-IG
Ivory	5280-I	5280-IGI	5380-I	5380-IGI	7280-I	7280-IGI	7380-I	7380-IGI
White	5280-W	5280-IGW	5380-W	5380-IGW	7280-W	7280-IGW	7380-W	7380-IGW
Gray	5280-GY	5280-IGG	5380-GY	5380-IGG	7280-GY	7280-IGG	7380-GY	7380-IGG
Almond	5280-A	—	—	—	7280-A	—	—	—
Blue	5280-B	5280-IGB	5380-B	5380-IGB	7280-B	7280-IGB	7380-B	7380-IGB
Orange	—	5280-IGO	—	5380-IGO	—	7280-IGO	—	7380-IGO

NOTE: Isolated Ground receptacles are identified by an orange triangle on the face of the device.

PERFORMANCE DATA

Applicable To All Units

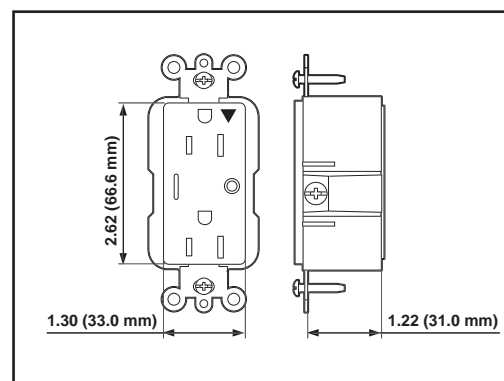
Operating Frequency	Maximum Continuous Operating Voltage (MCOV) (L-N)	Max. Single-Pulse Transient Energy (10x1000µs) Joules	Max. Single-Pulse Surge Current (8x20µs) L-N/L-G/N-G	EMI/RFI Noise Rejection @ 50 Ohms 5KHz – 5MHz
50/60 Hz	150V rms	320	26kA/13kA/13kA	-35dB

CLAMPING PERFORMANCE

Applicable To All Units

UL 1449 Suppressed Voltage Ratings (SVR) Assigned at 6-inch lead length with 6kV/500A impulse in accordance with UL 1449 (2nd Edition)
(L-N/L-G/N-G) 400/400/400 V pk

DIMENSIONAL DRAWING



AGENCY APPROVALS

Listed UL 1449 Standard (2nd Edition) File #E146315
UL 498 File #E13399
CSA C22.2 No. 42
NOM #057

PRODUCT MAINTENANCE

5280/5380 Steady, green LED indicates that the unit is powered and protection is active. If the light is off, protection is NOT active and receptacle should be replaced. In addition, the 7280/7380 employs audible alarm with disable feature.

FEATURES

- Ideal for point-of-use surge protection in industrial, commercial and residential applications
- Normal and common mode surge protection (line to neutral, neutral to ground, and line to ground)
- LED monitor/indicator light shows protection status at a glance
- Decora designer-style receptacle complements any interior and coordinates with Leviton's complete line of Decora wiring devices. Single-gang matching wallplate included.

PHYSICAL SPECIFICATIONS

Housing	Impact-resistant thermoplastic
Physical Dimensions	Designed for standard, single-gang wallbox
Mounting	Mounting screws, matching wallplate included
Wiring	Back and side wire terminals accept 14 – 10 AWG conductors
Operating Temperature Range	-10° to 60°C
Storage Temperature Range	-20° to 85°C



Leviton Mfg. Co., Inc. 59-25 Little Neck Parkway • Little Neck, New York 11362-2591
Tech Line: 1-800-824-3005 • Fax: 1-800-832-9538

