

# 56 Series Motor Starters

with Telemecanique Contactors & Overloads only

## Installation Instructions

Diagram 3.

56DOL...SW direct online starters with isolation switch

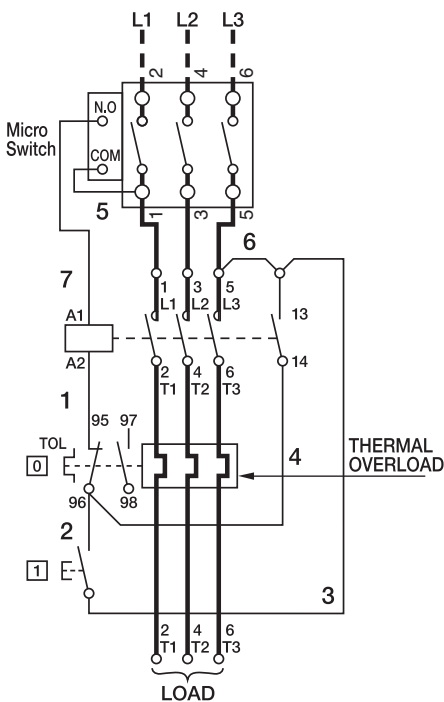


Diagram 1.

56DOL...R.. direct online starters with reset only

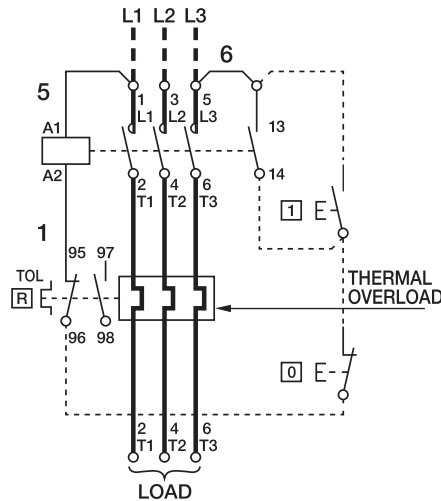
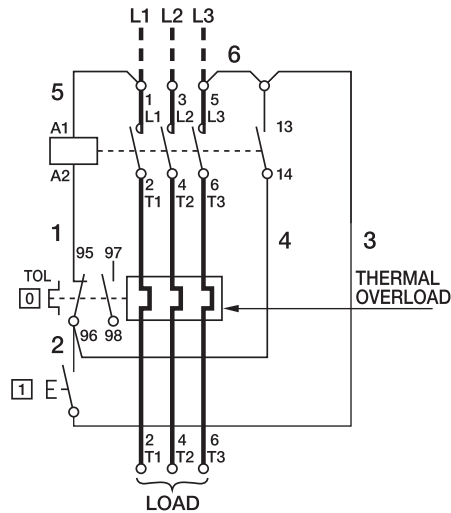


Diagram 2.

56DOL... direct online starters



### Wiring Diagrams

#### Direct online Starters

##### Diagram 1.

For two wire control the control lines (shown in dashed outline) are to be connected to terminal 13 of the contactor and terminal 96 of the thermal overload (dashed wires are not included).

#### Notes:

- For control circuit voltage other than the network, remove connections 5 and 6 and connect auxiliary line to terminals A1 and 13
- For control circuit between phase and Neutral (240V) of a three phase line, remove connection 5 and connect Neutral to terminal A1. For 56DOL...SW Series connect Neutral to C.O.M. terminal of micro-switch
- In case there is no suitable protection (FCL) in the system, it is important to connect (fuse or MCB) in the circuit before the direct online starter
- Field power wires are shown in heavy dashed line.

Refer to [www.telemecanique.com](http://www.telemecanique.com) for technical detail on contactors and overloads.

#### Diagram 1, 2 and 3.

For operation by means of limit switch or other automation remove connection 6 and connect between terminals 5/L3 and 13 of the contactor.

#### Torque Values:

Control wiring: C = 1.7Nm  
 KM wiring: LC1-D 09 /12/18 : C = 1.7Nm  
 KM wiring: LC1-D LRD 25..35 : C = 2.5Nm.

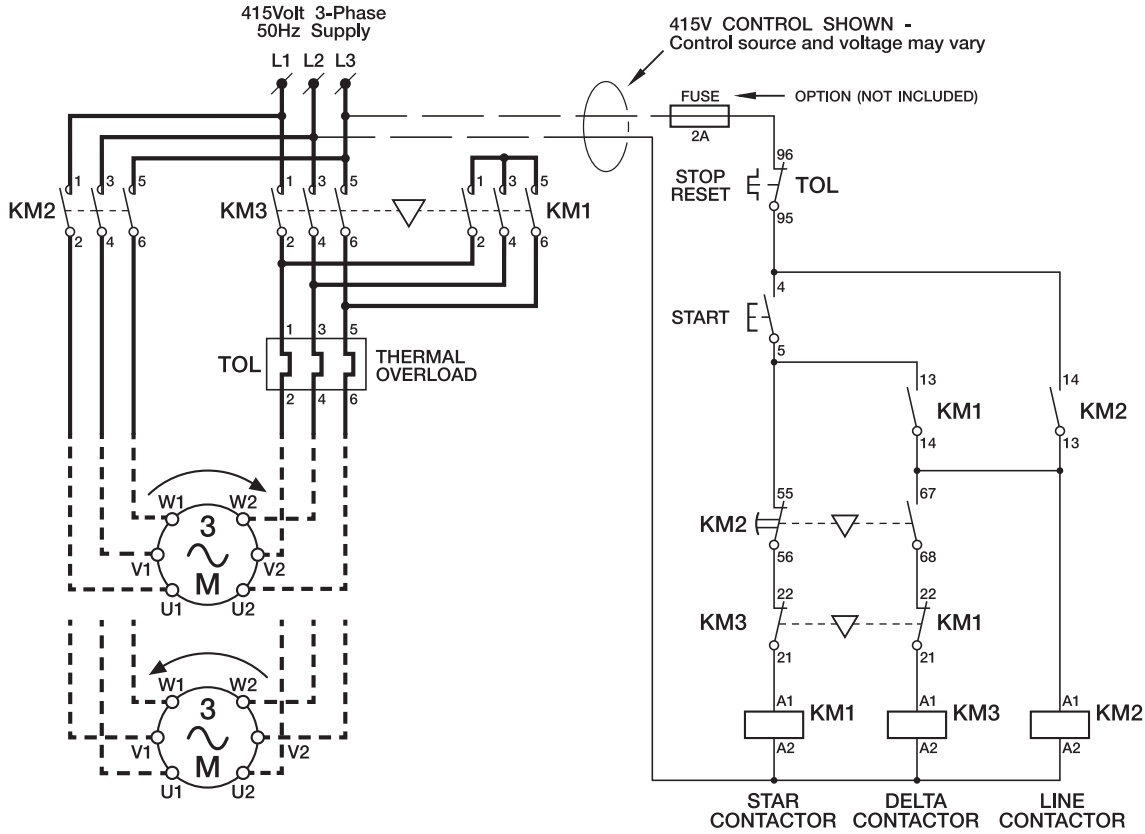
#### Overload Reset Time:

Min 60 seconds.

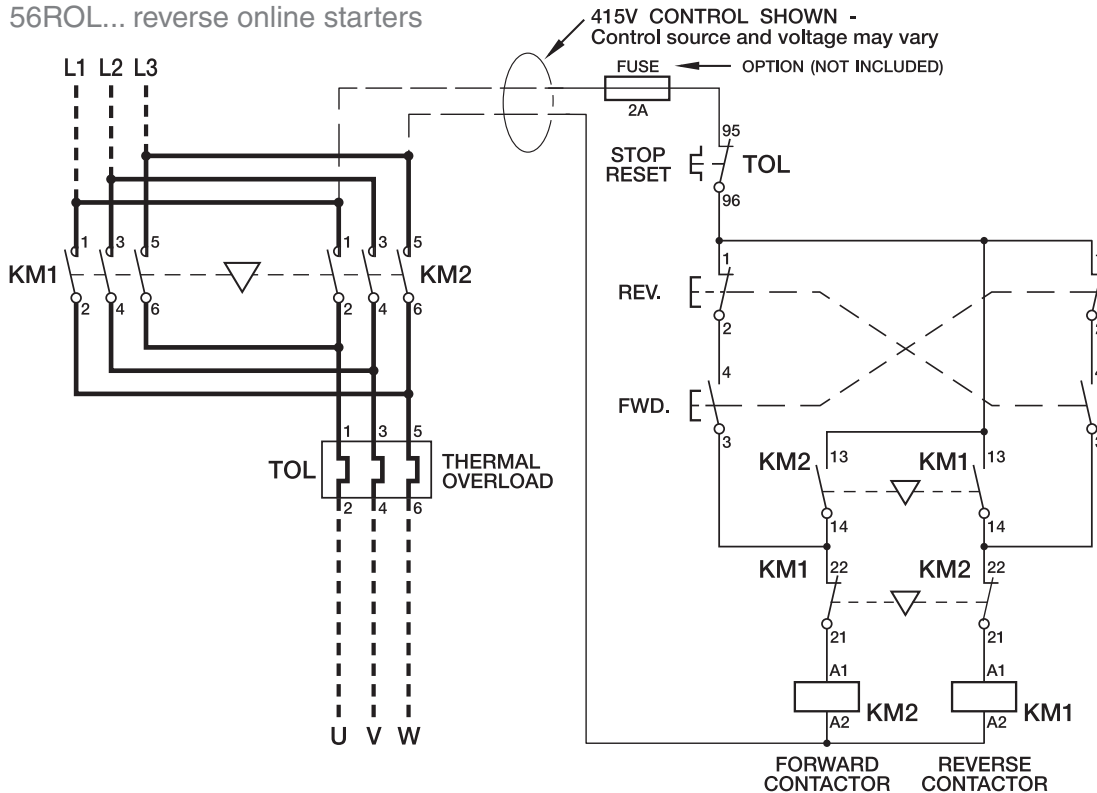
#### Line and Load Wiring Specifications:

2.5mm<sup>2</sup> for starters rated up to 16A.  
 6mm<sup>2</sup> for starters rated at 22A.

## 56YD... star-delta starters



## 56ROL... reverse online starters



Product of Clipsal Australia Pty Ltd  
A member of Schneider Electric

[clipsal.com](http://clipsal.com)

Contact us [clipsal.com/feedback](http://clipsal.com/feedback)

National Customer Service Enquiries:

**Tel 1300 2025 25**

**Fax 1300 2025 56**

F1856/03

Clipsal Australia Pty Ltd reserves the right to change specifications, modify designs and discontinue items without incurring obligation and whilst every effort is made to ensure that descriptions, specifications and other information in this catalogue are correct, no warranty is given in respect thereof and the company shall not be liable for any error therein.

© Clipsal Australia Pty Ltd.

The identified trademarks and copyrights are the property of Clipsal Australia Pty Ltd unless otherwise noted.

CLIPCOM 16231 July 2008