

FOR INSTALLATION BY QUALIFIED SERVICE PERSONNEL ONLY

CONVERSION KIT INSTRUCTIONS

for Models DEN & DEL 6 THRU 120 GALLONS

Commercial Electric Water heaters



⚠ CAUTION

TEXT PRINTED OR OUTLINED IN RED CONTAINS INFORMATION RELATIVE TO YOUR SAFETY. PLEASE READ THOROUGHLY BEFORE ATTEMPTING ANY CONVERSION.

A.O. Smith
Water Heaters

www.aosmithwaterheaters.com

FOREWORD

The purpose of this manual is to explain how to change the voltage and wattage of an A. O. Smith commercial electric water heater by changing the elements. This manual is not intended to explain the rebuilding of electric water heaters in the field.

Addition of heating elements or subtraction of heating elements in the field is not approved by Underwriters Laboratories, Inc., and therefore, should not be attempted.

The limitation that “both the heater required and the heater to be converted must be found on the same page” (in this manual) must be followed. Before attempting any conversion, please read the detailed instructions contained on pages 8, 9, 10 and 11.

SAFETY

Be sure to disconnect appliance from electrical supply before working on or near the electrical system of the heater. Never touch electrical components with wet hands or when standing in water.

REQUIRED ABILITY

CONVERSION OF ANY WATER HEATER LISTED IN THIS MANUAL REQUIRES ABILITY EQUIVALENT TO THAT OF A LICENSED ELECTRICAL TRADESMAN

CONTENTS

<u>CONVERSION ALLOWED ON</u>	<u>PAGE</u>	<u>CONVERSION INSTRUCTIONS</u>	<u>PAGE</u>
DEL-6, 1 Element, 120/277 V, 1 Phase, Two Wire Circuit	3	INTRODUCTION	8
DEL-6, 1 Element, 208/240 V, 1 Phase, Two Wire Circuit	3	HEATER PREPARATION	8
DEL Models, 1 Element, 120/277V, 1 Phase, Two Wire Circuit, (Except DEL-6)	4	KW CONVERSION (Element Replacement)	8
DEL Models, 1 Element, 208/240/280 V, 1 Phase, Two Wire Circuit, (Except DEL-6)	5	VOLTAGE CONVERSION	8
DEN/DEL Models, 2 Elements, 120/277 V, 1 Phase, Non-Simultaneous or Simultaneous Four Wire Circuit	6	PHASE CONVERSION	8-9
DEN/DEL Models, 2 Elements, 208/240/480 V, 1 Phase or 3 Phase, Simultaneous or Non-Simultaneous, Four Wire Circuit	7	SIMULTANEOUS CONVERSION	9
		CAUTION	9
		FINAL ASSEMBLY	10-12
		MISCELLANEOUS INFORMATION	12

CONVERSION MATERIALS

1. Screw Plug Element Remover: Product Service Kit no. 9004642 or 1-1/2" deep well socket and ratchet.
2. Screwdrivers: Two required, one #2 phillips and one slotted screwdriver.
3. Conversion kit: Includes conversion instructions, replacement electrical element(s), conversion kit label, caution label.

DEL-6 WITH 1 ELEMENT, 120/277 VOLT, 1 PHASE, TWO WIRE C-2 CIRCUIT

INSTRUCTIONS

1. Find the voltage and KW of the required heater.
2. On the same line, move to the right until you are in the column of the kit number required.
3. Order the corresponding kit.

See pages 8 thru 11 or detailed instructions.

Total Voltage	Element KW Input	Kit Wattage	Number
120	1.5	1500	9003826
	2.0	2000	9003827
	2.5	2500	9003828
	3.0	3000	9003829
277	1.5	1500	9003830
	2.0	2000	9003831
	2.5	2500	9003832
	3.0	3000	9003833

CHECK ALL WATER AND ELECTRICAL CONNECTIONS FOR TIGHTNESS

DEL-6 WITH 1 ELEMENT, 208/240/480 VOLT, 1 PHASE, TWO WIRE C-2 CIRCUIT

INSTRUCTIONS:

1. Find the voltage and KW of the required heater.
2. On the same line, move to the right until you are in the column of kit number required.
3. Order to corresponding kit.

See pages 8 thru 11 for detailed conversion instructions.

Total Voltage	Element KW Input	Kit Wattage	Number
208	1.5	1500	9003837
	2.0	2000	9003838
	2.5	2500	9003839
	3.0	3000	9003840
240	1.5	1500	9003846
	2.0	2000	9003847
	2.5	2500	9003848
	3.0	3000	9003849
480	2.5	2500	9003856
	3.0	3000	9003857

CHECK ALL WATER AND ELECTRICAL CONNECTIONS FOR TIGHTNESS

DEL MODELS WITH 1 ELEMENT, 120/208/240/277/480 VOLT, 1 PHASE, TWO WIRE C-2 CIRCUIT (EXCEPT DEL-6)

INSTRUCTIONS

1. Find the voltage and KW of the required heater.
2. On the same line, move to the right until you are in the column of kit number required.
3. Order to corresponding kit.

See pages 8 thru 11 for detailed conversion instructions.

Total Voltage	Element KW Input	Kit Wattage	Number
120	1.5	1500	9003826
	2.0	2000	9003827
	2.5	2500	9003828
	3.0	3000	9003829
277	1.5	1500	9003830
	2.0	2000	9003831
	2.5	2500	9003832
	3.0	3000	9003833
	4.0	4000	9003834
	4.5	4500	9003835
208	6.0	6000	9003836
	1.5	1500	9003837
	2.0	2000	9003838
	2.5	2500	9003839
	3.0	3000	9003840
	3.5	3500	9003841
	4.0	4000	9003842
	4.5	4500	9003843
	5.0	5000	9003844
240	6.0	6000	9003845
	1.5	1500	9003846
	2.0	2000	9003847
	2.5	2500	9003848
	3.0	3000	9003849
	3.5	3500	9003850
	4.0	4000	9003851
	4.5	4500	9003852
	5.0	5000	9003853
	5.5	5500	9003854
480	6.0	6000	9003855
	2.5	2500	9003856
	3.0	3000	9003857
	4.0	4000	9003858
	4.5	4500	9003859
	5.0	5000	9003860
	6.0	6000	9003861

CHECK ALL WATER AND ELECTRICAL CONNECTIONS FOR TIGHTNESS

DEN AND DEL MODELS WITH 2 ELEMENTS, 120/277 VOLT, 1 PHASE WITH NON-SIMULTANEOUS OR SIMULTANEOUS FOUR WIRE A-8 CIRCUIT

INSTRUCTIONS

1. Find the voltage and KW of the required heater.
2. On the same line, move to the right until you are in the column of kit number required.
3. Order to corresponding kit.

See pages 8 thru 11 for detailed conversion instructions.

Voltage	Total KW Input		Element Wattage	Kit Number
	Simultaneous Operation	Non-Simultaneous Operation		
120	3	1.5	1500	9003816
	4	2.0	2000	9003817
	5	2.5	2500	9003818
	*	3.0	3000	9003886
277	3	1.5	1500	9003819
	4	2.0	2000	9003820
	5	2.5	2500	9003821
	6	3.0	3000	9003822
	8	4.0	4000	9003823
	9	4.5	4500	9003824
	12	6.0	6000	9003825

* Cannot convert to Simultaneous Operation Mode.

CHECK ALL WATER AND ELECTRICAL CONNECTIONS FOR TIGHTNESS

DEN AND DEL MODELS WITH 2 ELEMENTS, 208/240/480 VOLT, 1 PHASE OR 3 PHASE, WITH SIMULTANEOUS OR NON-SIMULTANEOUS FOUR WIRE A-8 CIRCUIT

INSTRUCTIONS

1. Find the voltage and KW of the required heater.
2. On the same line, move to the right until you are in the column of kit number required.
3. Order to corresponding kit.

See pages 8 thru 11 for detailed conversion instructions.

Voltage	Total KW Input	Element Wattage	Kit Number
208	2.0	1000	9003862
	3.0	1500	9003863
	4.0	2000	9003864
	5.0	2500	9003865
	6.0	3000	9003866
	7.0	3500	9003867
	8.0	4000	9003868
	9.0	4500	9003869
	*	5000	9003870
240	3.0	1500	9003871
	4.0	2000	9003872
	5.0	2500	9003873
	6.0	3000	9003874
	7.0	3500	9003875
	8.0	4000	9003876
	9.0	4500	9003877
	10.0	5000	9003878
	11.0	5500	9003879
480	5.0	2500	9003880
	6.0	3000	9003881
	8.0	4000	9003882
	9.0	4500	9003883
	10.0	5000	9003884
	12.0	6000	9003885

* Cannot convert to simultaneous operation mode.

CHECK ALL WATER AND ELECTRICAL CONNECTIONS FOR TIGHTNESS

CONVERSION INSTRUCTIONS

REQUIRED ABILITY

CONVERSION OF ANY WATER HEATER LISTED IN THIS MANUAL REQUIRES ABILITY EQUIVALENT TO THAT OF A LICENSED ELECTRICAL TRADESMAN

I. INTRODUCTION

Satisfying a customer order for a DEN or DEL electric heater from inventory may require modification to the KW input, the voltage, or the phase. Conversions may involve revision to 1, 2, or all 3 of these electrical characteristics.

II. HEATER PREPARATION

The heater should be placed in a well lit area. Complete removal of the shipping carton is not required. Locate front of carton (opposite side of heater identification label). Cut a 3-sided flap into front of carton, cut should be on top, bottom and right side approximately 4" from carton edges. Leave the left side of the flap as a hinge. Cuts made 4" from the edge of carton will permit proper reclosure when conversion is completed.

Remove the two control panel screws on the water heater door(s).

To expose elements, fold insulation from right to left. DO NOT RIP INSULATION. Remove the personnel protector(s). Take care not to damage protector.

III. KW CONVERSION (ELEMENT REPLACEMENT)

- A. Remove wires from one element at a time.
- B. Remove element from heater using Product Service Kit no. 9004642 or 1-1/2" deep well socket and ratchet. Return the elements to appropriate bin.
- C. Open the appropriate conversion kit and remove the element(s). Check each element head to ensure correct voltage and wattage.
- D. Install the new element with a 1-1/2" socket wrench. A new "O" ring gasket should be installed on each element. Screw element into fitting until it seats. Tighten 1/2" to 3/4" turn with wrench.
- E. Rewire the element, Screw terminals must be snug, however, caution must be exercised. Overtightening may break the terminal block, requiring replacement of the element.
- F. Repeat steps A thru E for all other elements being replaced.

IV. VOLTAGE CONVERSION

- A. DEN/DEL models merely require installation of the appropriate elements to accomplish a change in voltage. See KW conversion step III.
- B. DO NOT CHANGE THE GROUND CONNECTIONS.

V. PHASE CONVERSION

- A. DEN/DEL THREE PHASE TO SINGLE PHASE
 1. Disconnect black wire from terminal L-3.
 2. Connect black wire to terminal L-2 (with blue wire).
 3. Incoming power will be connected to terminals L-1 and L-2 at job site.

VI. SIMULTANEOUS CONVERSION

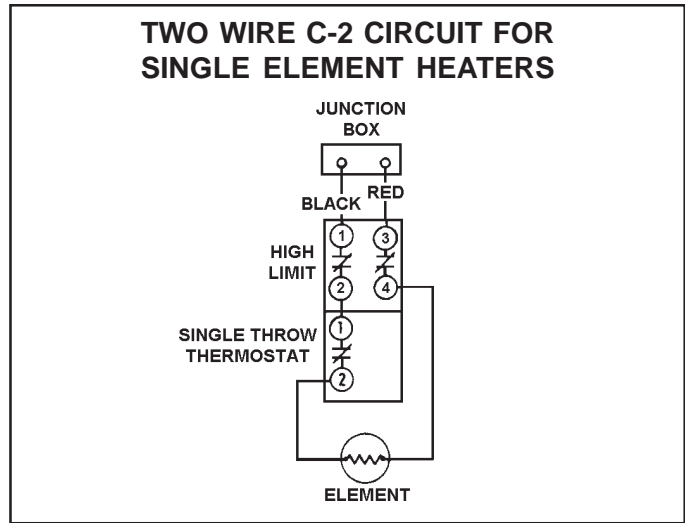
1. Disconnect red wire from power terminal "J".
2. Reconnect red wire to terminal L1, along with yellow wire on terminal block.

*See diagram below. Note: Steps V and VI pertain only to conversions on page 7 of this manual.

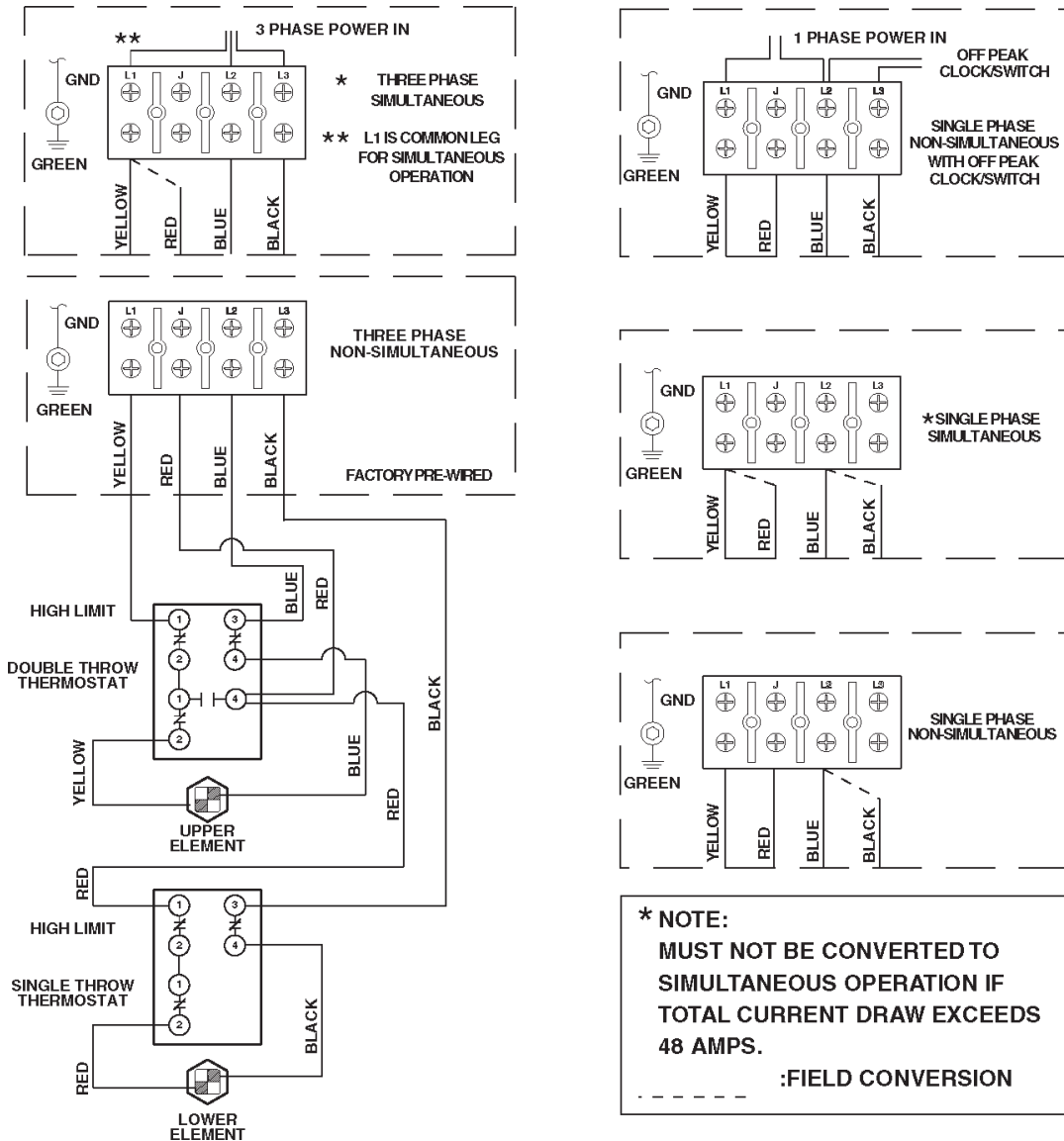
CAUTION

Recheck all terminals for tightness, proper wiring per schematic, and neatness of wiring. Heater should be no less than factory constructed quality and appearance.

V. FINAL ASSEMBLY



FOUR WIRE A-8 CIRCUIT FOR DUAL ELEMENT HEATER




A. CONTROL COVER(S)

Replace personnel protector(s). Unfold insulation blanket. Cover all elements and thermostats as originally constructed. Replace door and tighten the two screws.

B. RATING PLATE MODIFICATION OF DUAL ELEMENTS ELECTRIC WATER HEATERS.

Following is a sample of the standard rating plate supplied on the front of DEN/DEL dual elements commercial electric water heaters.

COMMERCIAL STORAGE TANK WATER HEATER						 LISTED 932N	
MODEL NUMBER		SERIAL NUMBER		ITEM ID / PART NUMBER			
VOLTS - AC	PHASE	WATTS UPPER	WATTS LOWER	CIRCUIT	CAPACITY US GALS	MAX. WORKING PRESSURE	
TOTAL WATTS CONNECTED INTERLOCK SIMULTANEOUS				CITY OF NEW YORK DEPT. OF BUILDING MEA			

VOLTS - AC	PHASE	WATTS UPPER	WATTS LOWER
X	X	X	X

TOTAL WATTS CONNECTED
INTERLOCK SIMULTANEOUS


X	X
---	---

(Part No. 195205-000)


The volts, phase, watts information of the rating plate must be modified by covering them with conversion label (Part No. 195205-000) provided in the conversion kit. Be sure the new ratings on the label match the conversion you have just completed.

Peel off the back of label and paste over the area as shown on the revised rating plate below.

C. RATING PLATE MODIFICATION OF SINGLE ELEMENT ELECTRIC WATER HEATERS

COMMERCIAL STORAGE TANK WATER HEATER						 LISTED 932N	
MODEL NUMBER		SERIAL NUMBER		ITEM ID / PART NUMBER			
VOLTS - AC	PHASE	WATTS UPPER	WATTS LOWER	CIRCUIT	CAPACITY US GALS	MAX. WORKING PRESSURE	
X	X	X	X				
TOTAL WATTS CONNECTED INTERLOCK SIMULTANEOUS				CITY OF NEW YORK DEPT. OF BUILDING MEA			

The following is a sample of the standard rating plate supplied on the front of DEL single element electric water heaters.


HOUSEHOLD STORAGE TANK WATER HEATER						
MODEL NUMBER		SERIAL NUMBER		ITEM ID / PART NUMBER		
VOLTS - AC	PHASE	WATTS UPPER	WATTS LOWER	TOTAL WATTS CONNECTED	CAPACITY US GALS	MAX. WORKING PRESSURE
CIRCUIT				CITY OF NEW YORK DEPT. OF BUILDING MEA		

VOLTS - AC					PHASE		WATTS UPPER		WATTS LOWER		TOTAL WATTS CONNECTED	
X					X		X		X		X	

(Part No. 195204-000)

The volts, phase, watts information of the rating plate must be modified by covering them with conversion label (Part No. 195204-000) provided in the conversion kit. Be sure the new ratings on the label match the conversion you have just completed.

- Peel off the back of the label and paste over the area as shown on the revised rating plate below.
- D. CAUTION LABEL

HOUSEHOLD STORAGE TANK WATER HEATER						
MODEL NUMBER		SERIAL NUMBER		ITEM ID / PART NUMBER		
VOLTS - AC	PHASE	WATTS UPPER	WATTS LOWER	TOTAL WATTS CONNECTED	CAPACITY US GALS	MAX. WORKING PRESSURE
X	X	X	X	X		
CIRCUIT				CITY OF NEW YORK DEPT. OF BUILDING MEA		

Peel off back of caution label and place as near to rating plate as possible, taking care not to cover any existing labels.

E. CARTON IDENTIFICATION

Using a black magic marker, cross out heater identification on carton as appropriate. In bold letters, write new electrical specifications on carton, matching those on the revised rating plate.

Close and tape the cardboard flap on front of carton.

F. SHIPPING CARTON

Close and tape the cardboard flap on the front of carton.



NEVER OPERATE THE HEATER WITHOUT FILLING WITH WATER PER THE FILLING INSTRUCTIONS. FAILURE TO DO SO WILL DAMAGE INTERNAL PARTS.

IX. MISCELLANEOUS INFORMATION

FULL LOAD CURRENT IN AMPERES

KW Input	Single (1) Phase					Three (3) Phase		
	120V	208V	240V	277V	480V	208V	240V	480V
1.5	12.5	7.2	6.3	5.4				
2.0	16.7	9.6	8.3	7.2		8.3/4.8		
2.5	20.8	12.0	10.4	9.0	5.2			
3.0	25.0	14.4	12.5	10.8	6.3	12.5/7.2	10.8/6.3	
3.5		16.8	14.6					
4.0		19.2	16.7	14.4	8.3	16.7/9.6	14.4/8.3	
4.5		21.6	18.8	16.2	9.4			
5.0		24.0	20.8		10.4	20.8/12.0	18.0/10.4	9.0/5.2
5.5			22.9					
6.0		28.8	25.0	21.7	12.6	25.0/14.4	21.7/12.5	10.8/6.3
7.0		33.6	29.2			29.1/16.8	25.3/14.6	
8.0		38.6	33.4		16.6	33.3/19.2	28.9/16.7	14.4/8.3
9.0		43.2	37.6		18.8	37.5/21.6	32.5/18.8	16.2/9.4
10.0		48.0	41.6		20.8	41.6/24.0	36.1/20.8	18.0/10.4
11.0			45.8			46.0/26.5	39.7/22.9	
12.0				43.3	25.2		43.5/25.0	21.7/12.5

A.O. Smith
Water Heaters

A. O. Smith Water Heater Parts Fulfillment
125 Southeast Parkway
Franklin, TN 37068
1-800-527-1953
www.hotwater.com