

FREEZE PROBE KIT INSTRUCTION SHEET

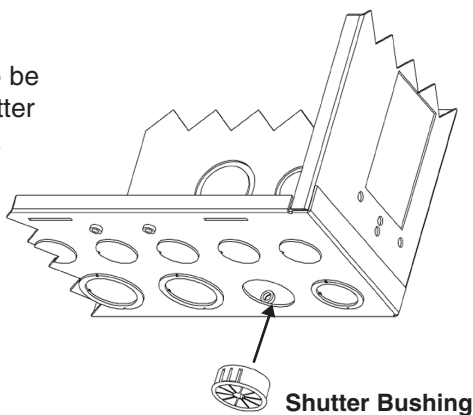
INTRODUCTION – If the Intermatic panel in which you are installing this Multipurpose control and freeze probe accessory contains no low voltage compartment raceway, you will need to install the Intermatic Class 2 Wiring Isolation kit included with your Multipurpose control mechanism. If you need to order the Class 2 Wiring Isolation Kit, the Part Number to order is 156PA12976A. NEC, UL & CSA requires a double barrier of insulation between high and low voltage wiring when both are present in the same compartment, and this Class 2 Wiring Isolation Kit satisfies the requirements for separation of circuits in the UL, CSA, and NEC standards. The corrugated tubing provides this double barrier once installed over the low voltage accessory wiring or cords. If you have the newest Intermatic Control panel with the low voltage raceway, it is not necessary to install the Class 2 Wiring Isolation kit. Please follow the below instructions carefully and remember to remove power when installing both the freeze sensor and isolation kit.

Step #1

Install the **Shutter Bushing** through one of the available 3/4" knockouts at the bottom of the enclosure. If a low voltage raceway is present, choose a knockout at the entrance of the raceway.

NOTE

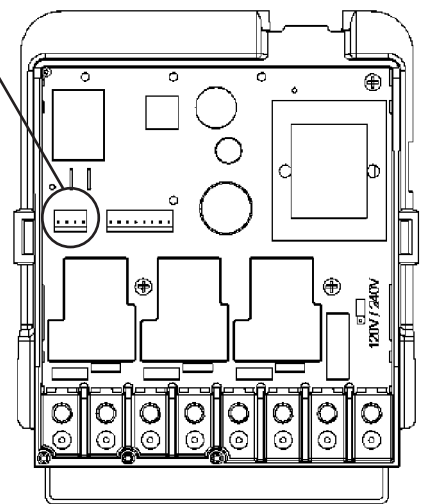
If conduit is to be used, the shutter bushing is not necessary.



Step #2

Freeze Probe Connection

Locate the freeze probe connector on the back of the Multipurpose control. The connector is polarized and can only plug in one way. Do not force the connector on the wrong way.

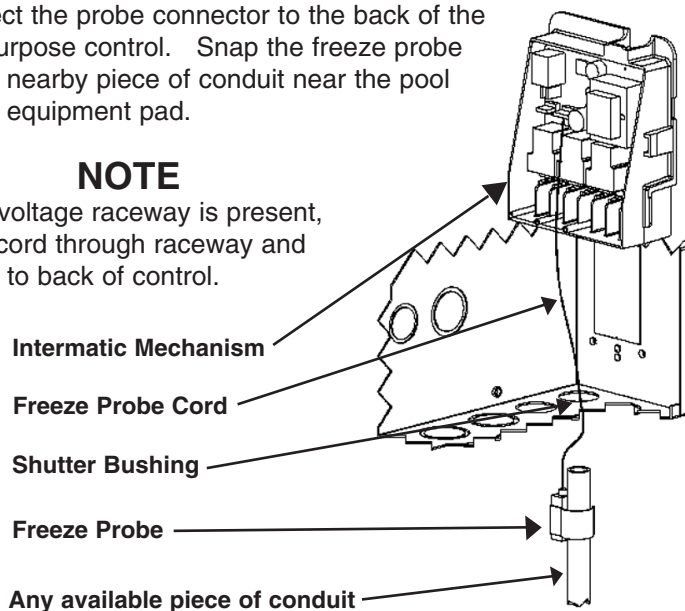


Step #3

Route the freeze probe cord from the bottom of the enclosure, into and through the **shutter bushing**. Connect the probe connector to the back of the Multipurpose control. Snap the freeze probe onto a nearby piece of conduit near the pool or spa equipment pad.

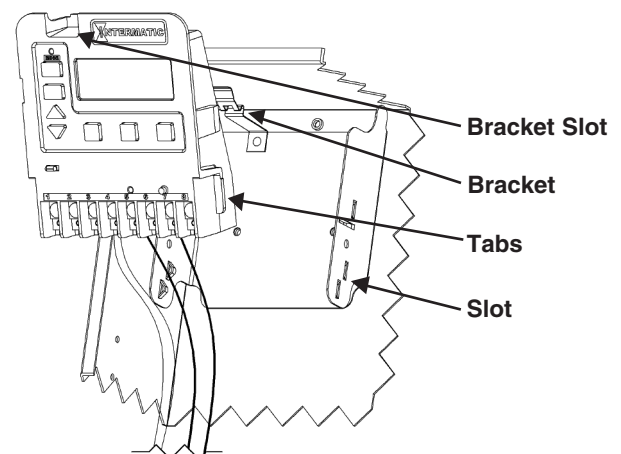
NOTE

If low voltage raceway is present, route cord through raceway and attach to back of control.



Step #4

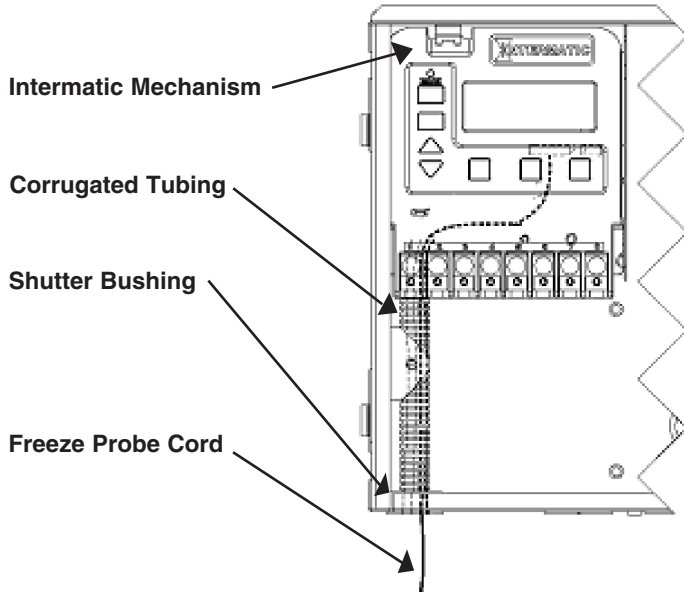
Rotate the mechanism until the **Tabs** line up with the **slots**. Slide the bottom half of the mechanism into slots, and push the top half into the **bracket slot** until the mechanism snaps into the **bracket slot**.



SKIP STEPS 5 AND 6 IF LOW VOLTAGE RACEWAY IS PRESENT IN ENCLOSURE AS THIS PROVIDES THE REQUIRED SEPARATION OF CIRCUITS

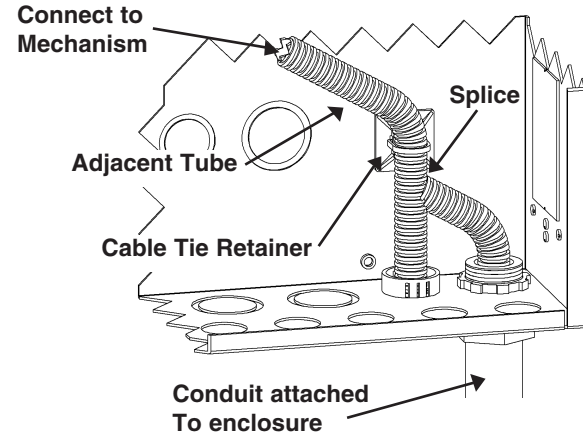
Step #5 Example #1

Cut the corrugated tubing so there is enough length to reach from the bottom of the control down to the shutter bushing. Slip the tubing over the freeze probe cord.



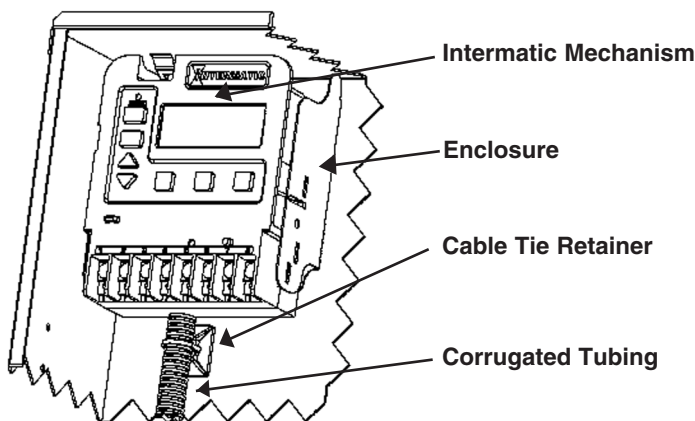
Step #5 Example #2

If there is not enough corrugated tubing available in the kit to install two separate tubes, a splice connecting one tube to the adjacent tube is acceptable.



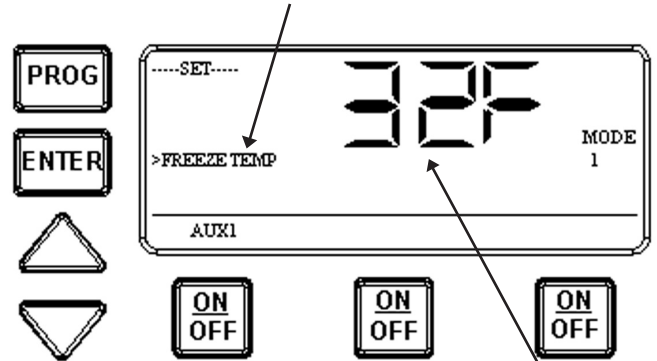
Step #6

Included in the Class 2 Wiring Isolation Kit is a Cable Tie Retainer. Use this retainer to secure the top of the corrugated tubing to the back of the Intermatic enclosure, as close to the bottom of the mechanism as possible.



Step #7

1. Use the program key to save and advance to the **Freeze Temperature** setting.



The **1st circuit** is the factory selected default, and **32°F** is the default temperature setting.

2. Use the Up and Down arrow keys to increase or decrease the desired freeze temperature trip point. The range available is 32°F thru 44°F.

3. After you have selected the proper temperature, push and release the desired ON/OFF keys to indicate which circuits should come ON when freeze condition exists.

4. When programming is complete, push and release the Enter key or Program key to end your programming session.

FOR FREEZE PROGRAMMING INSTRUCTIONS REFER TO YOUR MULTIPURPOSE CONTROL MANUAL FOR COMPLETE INSTRUCTIONS, OR STEP #7 FOR A QUICK REVIEW

INTERMATIC INCORPORATED
<http://www.intermatic.com>

Intermatic Plaza, Spring Grove, Illinois 60081-9698

158PA11041