

Mechanical Cycle & Irrigation Timer Switches

<http://waterheatertimer.org/Intermatic-timers-and-manuals.html#cycle>

C8800 Series

Short Range Cycle Timers

- Short Range Cycle Timers provide repeat cycling for ON times
- Ten combination ON/OFF trippers supplied with each switch

Applications:

- Ventilating Fans
- Spraying Equipment
- Livestock Feeders
- Poultry Fans
- Fogging Equipment
- Poultry Feeders
- Bulk Milk Coolers
- Pumps
- Process Equipment

Specifications:

Enclosure: NEMA 1 Rated Indoor steel, see page 46 for details. For optional enclosures see pages 46-47

Switch Rating: 20 Amp Resistive, 125, 208-277 VAC; ½ HP, 125 VAC; 1 HP, 250 VAC

Model #	Switch	Clock Motor Volts AC 60 Hz	Dial Cycle	Tripper Actuating Time
C8815	SPDT	125	10 Min.	5 Sec.
C8835	SPDT	125	30 Min.	15 Sec.
C8865	SPDT	125	1 Hr.	30 Sec.
C8845	SPDT	125	4 Hr.	120 Sec.
C8866	SPDT	208-277	1 Hr.	30 Sec.

Note: The life of the switch contacts is affected by the size and type of the controlled load. The expected minimum life at 20 amps (resistive) load is 100,000 cycles.

For Replacement Snap Switch order No. 133T773A.

For additional trippers (12 trippers per pack), order No. 156T1950A.

R8800 and T8800 Series

Sprinkler/Irrigation Timers with 14-Day Skipper™

- 1 to 60 ON operations every 24 hours
- Designed for water metering in increments of 12 minutes to 20 hours and 45 minutes for maximum conservation of water resources
- 14-day skipper feature permits irrigation to be omitted on selected day(s)
- 14-day skipper feature provides for "every other" day operation
- ON/OFF/AUTOMATIC switch allows shutdown during rainy days or extended watering during dry periods without disturbing the automatic cycle set on dial
- Rain sensor enabled

Applications:

- Multi-Station Hydro Indexing Valves
- Greenhouses
- Lawn Sprinkling
- Pumps
- Irrigation Control
- Feeders
- Drip Irrigation Systems

Specifications:

Enclosure: NEMA 3R Rated Plastic Indoor/Outdoor Enclosure. See pages 46-47

Switch Rating: See table below

Model #	Switch	Motor Volts AC 60 Hz	Output Volts AC 60 Hz	AMPS (per pole)	HP Rating
T8805P101C	SPST	125	120	15	½
R8806P101C	DPST	208-277	240	25	2
R8815P101C*	DPST	120	120	25	1½
R8816P101C*	DPST	208-277	240	25	3
T8845PV**	SPST	125	24	20 VA	—

* Includes rain sensor input terminals — rain sensor not supplied.

** Includes 24 volt – 20 VA transformer.

For replacement Snap Switch order No. 133T700A.

For additional trippers (12 per pack), order No. 156T1950A.

For additional skipper pins (14 per pack), order No. 156T1954A.



C8845



C8865



C22.2-177 2.75 lbs -40°F
LR3730 1.25 kg (-40°C)
UL917 to
130°F
(54°C)



R8816P101C



T8805P101C

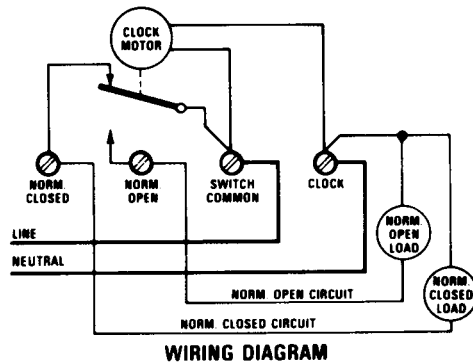
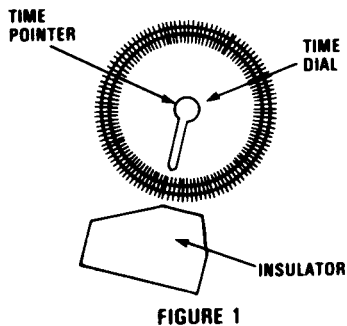


C22.2-177 3.75 lbs -40°F
LR3730 1.7 kg (-40°C)
UL917 to
130°F
(54°C)

<http://waterheatertimer.org/Intermatic-trippers-and-parts.html#sprinkler>

REPEAT CYCLE TIMER**DIAL CYCLE: 1 HOUR**
ACTUATING TIME - EACH TRIPPER: 30 SECONDS**SINGLE POLE DOUBLE THROW**

SWITCH RATING: 20 AMP. 125-480 VOLTS A.C. ½HP-125V, 1 HP-250V.

CLOCK MOTOR: 125 VOLTS - 60 HZ.**WIRING INSTRUCTIONS:**

This Time Switch can be wired to control two circuits as single pole double throw, or to control one circuit as single pole single throw, either normally closed or normally open. To wire Time Switch as desired, see wiring diagram above.

PROGRAMMING INSTRUCTIONS

- SET PROGRAM TIME:** Place tripper(s) into dial at desired time(s)
 - **ON TIME:** First tripper turns on the load for 32-40 seconds. Each additional tripper will lengthen the on time by 30 seconds.
 - **OFF TIME:** First tripper omitted turns off the load for 20-28 seconds. Each additional space will lengthen the off time by 30 seconds.
- TO SET DIAL,** Turn dial in **CLOCKWISE** direction only. The "TIME POINTER" indicates position at which switch action takes place.

TO REMOVE MECHANISM FROM CASE, Disconnect electricity and all wiring. Depress retainer spring at upper left, or unscrew mounting screws, then grasp dial and pull mechanism out.

IN CASE OF POWER FAILURE, Reset dial, See Step (2) of programming instructions.

INTERMATIC INCORPORATED
SPRING GROVE, ILLINOIS 60081