

Bradford White
INSTALLATION OF VENTING SYSTEM COMPONENTS

 **WARNING**

When installing the EVERHOT® IGI model series direct vent water heaters, use only EVERHOT vent/air intake system kits and components. Installation and service must be performed by a qualified installer, service agency or the gas supplier. Installation must meet all state and local codes regarding installation and location of vent systems for direct vent appliances. In the absence of local codes, the National Fuel Gas Code, ANSI Z223.1/NFPA 54 and/or CSA B149.1, Natural Gas and Propane Installation Code. The maximum vent length, as stated in the EVERHOT IGI model series Water Heater Installation and Operating Instruction Manual and these instructions, should never be exceeded. Follow the instructions below and all instructions located in the EVERHOT IGI model series Water Heater Installation and Operating Instruction Manual when installing a vent pipe system. Improper installation of vent piping, or failure to follow all installation instructions completely, can result in property damage, and/or death.

 **WARNING**

Refer to the Bradford White EVERHOT® IGI series Water Heater Installation and Operating Instruction Manual for details concerning vent system termination positions/clearances, allowable vent pipe lengths, and in what position dip switch #1 should be placed. If you do not understand how to configure your vent pipe system and/or which position dip switch #1 should be placed in, please contact your Bradford White supplier for assistance.

 **WARNING**

All joints in the vent/air intake piping must be taped with aluminum tape at the completion of the venting system installation to prevent any possible leakage into the room.
Make sure all the pipe connections are firmly pressed together so that the gaskets form a tight seal.

Prior to the Installation of EVERHOT® direct vent systems:

The EVERHOT® IGI water heaters have two adjustable wall mounting support brackets fitted on the top and bottom of the appliance. When installing a "Standard Vent Discharge Kit" to vent directly through the wall to the back of the water heater, these brackets should be adjusted so that the water heater is spaced its maximum distance of 2" (5.1 cm) away from the wall. Before cutting the vent terminal to the appropriate length, ensure you have taken into account just how far the heater has been spaced away from the wall.

NOTICE

When mounting the water heater on an outside wall, be sure the Vent/Air Intake Pipe will exit between the wall studs. DO NOT cut through the wall studs for the Vent/Air Intake Pipe opening.

 **WARNING**

All joints in the vent/air intake piping must be taped with aluminum tape at the completion of the venting system installation to prevent any possible leakage into the room.
Make sure all the pipe connections are firmly pressed together so that the gaskets form a tight seal.

 **WARNING**

Before installation inspect each vent component for damage and correct seal placement. Do not attempt to fix or install any damaged vent components.

Condensate

When the total vent system length is greater than 5 ft. (1,52 m), condensate will form which could damage the water heater. For vent lengths greater than 5 ft. (1,52 m), a condensate collector and trap must be installed.

Recommended vent/air intake terminal position

Terminals should be so positioned as to avoid products of combustion entering openings into buildings or other flues or vents.

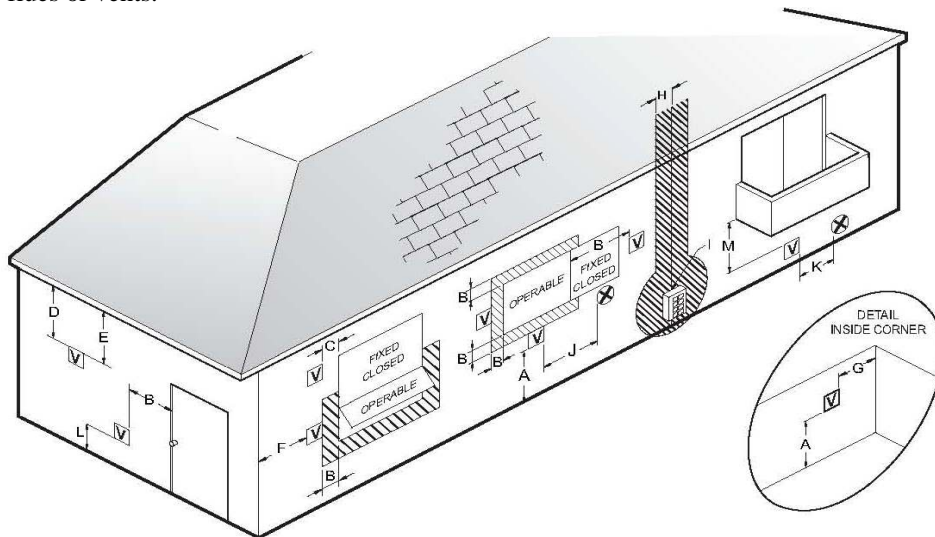



Figure 12

⚠ CAUTION
 Maintain 12" of clearance above the highest anticipated snow level or grade or whichever is greater.
 Please refer to your local codes for the snow level in your area.

V VENT TERMINAL

 AREA WHERE TERMINAL IS NOT PERMITTED

 AIR SUPPLY INLET

REF	DESCRIPTION	U.S. Installations	Canadian Installations
A	Clearance above grade, veranda, porch, deck, or balcony	1 foot	1 foot (0,30 m)
B	Clearance to window or door that may be opened	**1 foot	3 feet (0,91 m)
C	Clearance to permanently closed window	*	*
D	Vertical clearance to ventilated soffit, eaves or overhang	*	*
E	Clearance to unventilated soffit, eaves, or overhang	*	*
F	Clearance to outside corner	*	*
G	Clearance to inside corner	*	*
H	Clearance to each side of center line extended above meter/regulator assembly	*	3 ft. (0,91 m) within a height 15 ft. (4,57 m) above the meter/regulator assembly
I	Clearance to service regulator vent outlet	*	3 feet (0,91 m)
J	Clearance to nonmechanical air supply inlet to building or the combustion air inlet to any other appliance	**1 foot	3 feet (0,91 m)
K	Clearance to a forced air inlet into a building	3 feet above if within 10 feet horizontally	6 feet (1,83 m)
L	Clearance above paved sidewalk or paved driveway located on public property	*	7 feet (2,13 m)
M	Clearance under deck, veranda, porch, or balcony (open on 3 sides)	*	1 foot (0,30 m)

* For clearances not specified in ANSI Z223.1 / NFP A 54 or CGA-B149, please use clearances in accordance with local installation codes and the requirements of the gas supplier .

** For other than Direct Vent Appliance, 4 feet (1.22 m) below or to side of opening; 1 foot (300 mm) above opening.

Troubleshoot guideline: Total vent length should not exceed 50 feet

General Installation Instructions

Joint connection

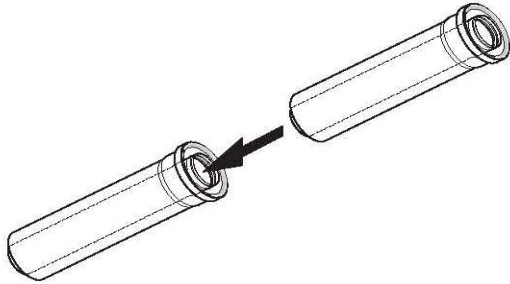


Figure 13

Vent connections others must be firmly pressed together so that the gaskets form an airtight seal.

Coping with condensation

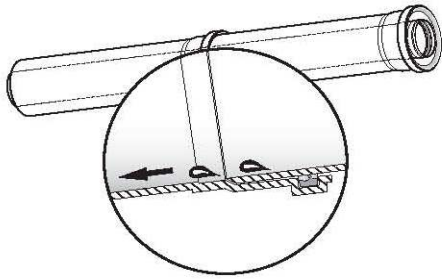


Figure 14

Make sure that the sockets are pointed 1° upwards in order to keep the gaskets dry. (Except for the (short distance) standard horizontal discharge vent system without extensions. See Figure 34.)

Appliance connection

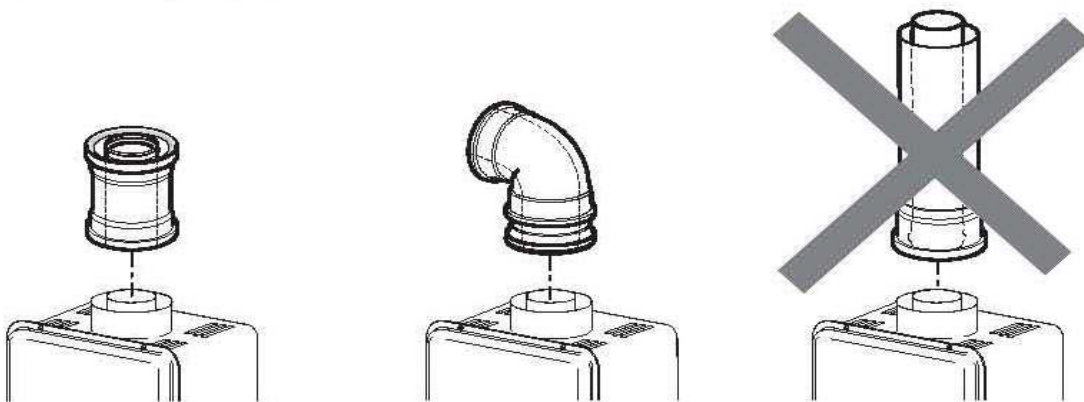


Figure 15

The first vent component to the appliance must be a vertical discharge adapter or a horizontal discharge adapter. Never use an extension as the first component, this might cause damage to the water heater and vent system. Secure vent connections with pipe clamps or perforated hanger.

Condensate drain

Every vent system should have a condensate collector unless installed with a total vent length of less than 5 ft. (1,52 m).

To prevent condensate from draining back to the appliance, a condensate collector (B) and trap (C) should be installed. Attach condensate collector to the discharge adapter (A). The trap must be inspected annually for obstructions and water content in the trap. Provisions must be made to properly drain and dispose of condensate; be aware that condensate is a highly corrosive substance that could damage metals. The hose (D) should be subject to inspection; kinks must be avoided. Dispose of condensate in accordance with local codes. Minimum water level in the condensate trap must be 3" (75 mm).

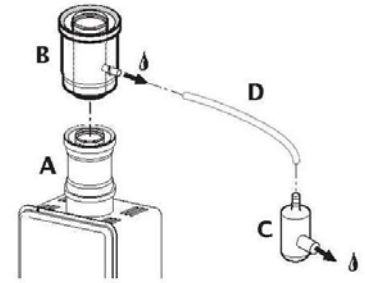


Figure 16

Shortening of vent extensions

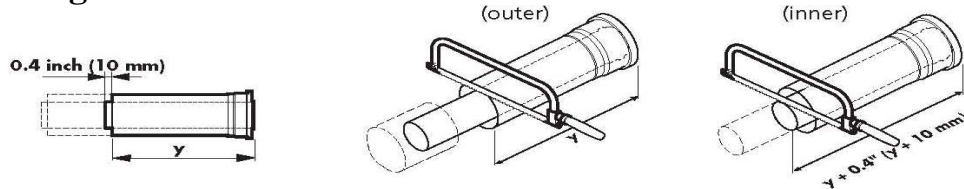


Figure 17

The aluminum inside pipe should always extend 0.4" (10 mm) beyond the white plastic outside pipe on the male end of the vent extension. Always cut the male end of the vent pipe extension. Do not attempt to cut the female end.

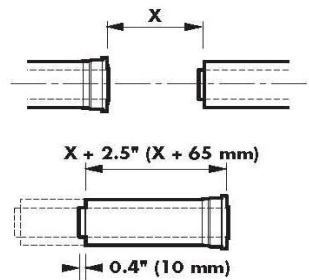


Figure 18

Pipes overlap by 2.5" (65 mm). Therefore when cutting to size, add 2.5" (65 mm) to the extension pipe length (X) needed for installation. Deburr the sharp edges, otherwise the gaskets may get damaged, which can result in the system no longer being air tight.

 **WARNING**

Improper installations of vent system and components, or failure to follow all installation instructions, can result in property damage or serious injury.

Parts & Dimensions

Components needed for direct vent applications:

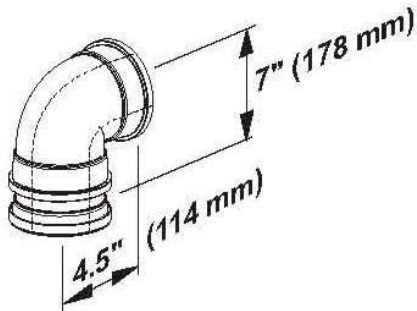


Figure 19

1) horizontal discharge adapter
BWC p/n 239-44506-00

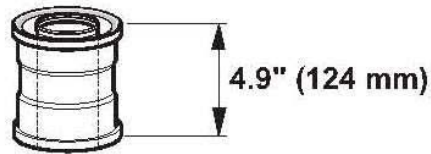


Figure 20

2) vertical discharge adapter
BWC p/n 239-44500-00

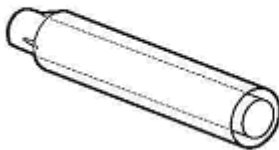


Figure 21

3) wall discharge terminal plate
Length = 12" (305mm)
BWC p/n 239-46848-00



Figure 22

4) rubber wall
Part of BWC vent kit

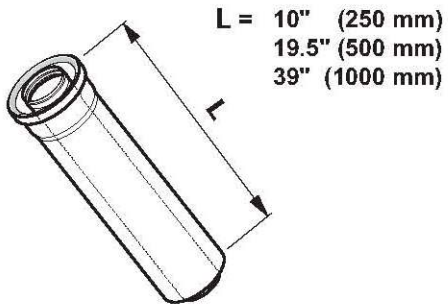


Figure 23

5) vent extension

10" BWC p/n 239-44496-00
 19.5" BWC p/n 239-44497-00
 39" BWC p/n 239-44498-00

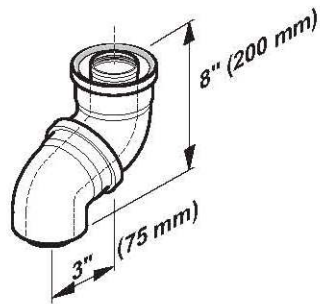


Figure 24

**6) 45° vent pipe elbow
 (sold in pairs only)**

BWC p/n 239-44495-00

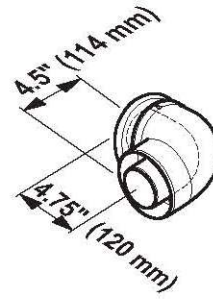


Figure 25

7) 90° vent pipe elbow

BWC p/n 239-44499-00

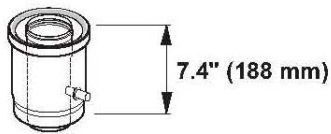


Figure 26

8) condensate collector

BWC p/n 239-44501-00

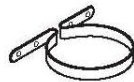


Figure 27

9) vent pipe clamp

BWC p/n 239-44493-00

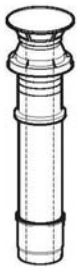


Figure 28

10) vertical discharge roof terminal

BWC p/n 239-44494-00

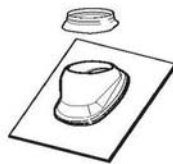


Figure 29

11) pitch roof flashing

(1/12) BWC p/n 239-44502-00
 (8/12) BWC p/n 239-44503-00
 (6/12) BWC p/n 239-44504-00



Figure 30

12) flat roof flashing
BWC p/n 239-44492-00

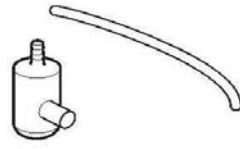


Figure 31

13) condensate trap kit

Installation Instructions

Everhot Horizontal Discharge Vent System

Identify the vent location

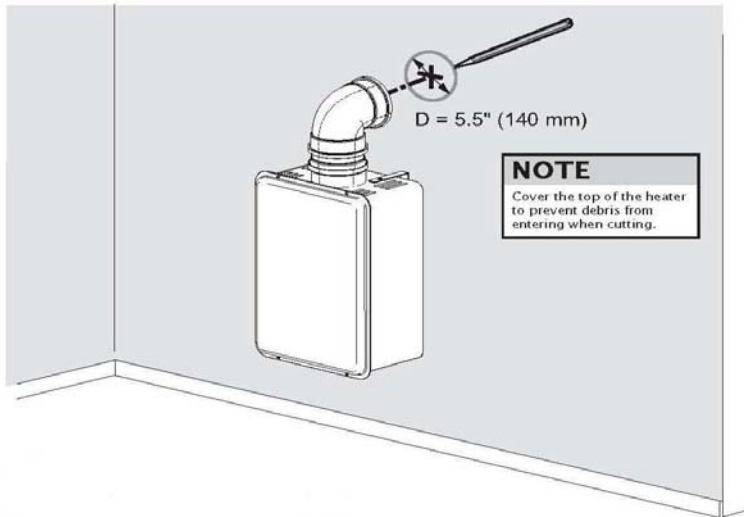


Figure 32

Steps:

- Place horizontal discharge adapter on water heater
- Mark position on wall
- Or use template provided with water heater
- Cut hole, covering the top of the water heater to prevent debris from entering

Measure dimension to fit

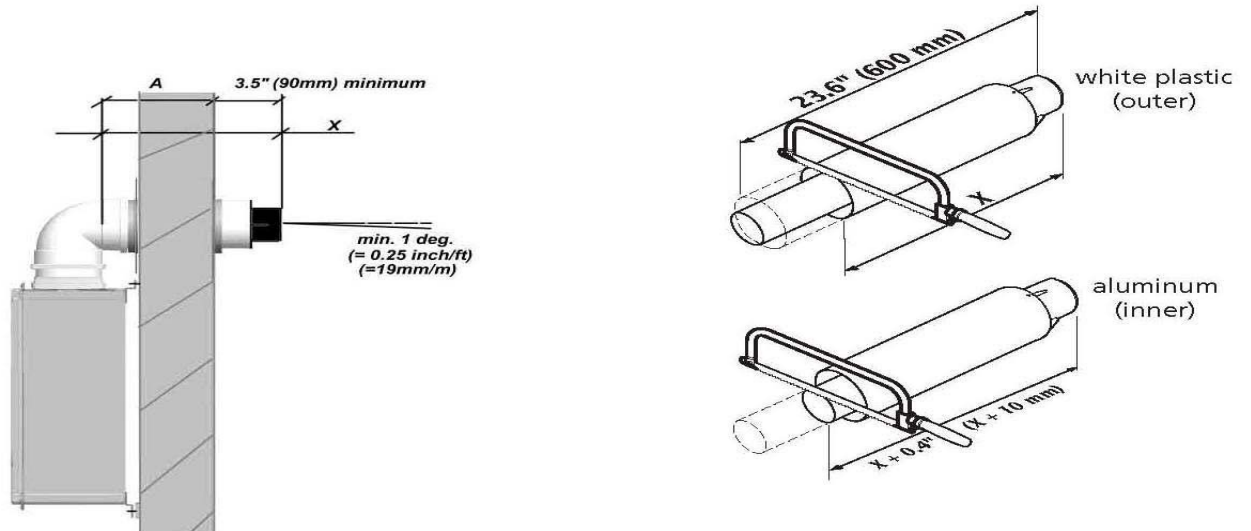


Figure 33

Figure 34

NOTICE

Note: if the vent system is shorter than 5 ft. (1,52 m) and no condensate collector is installed, be sure to install the wall terminal with a 1° angle to the outside of the building.

NOTICE

Note: 3.5" (90 mm) is the minimum outer cap length. If needed the length outside the wall may exceed this dimension.

Final installation of the venting system

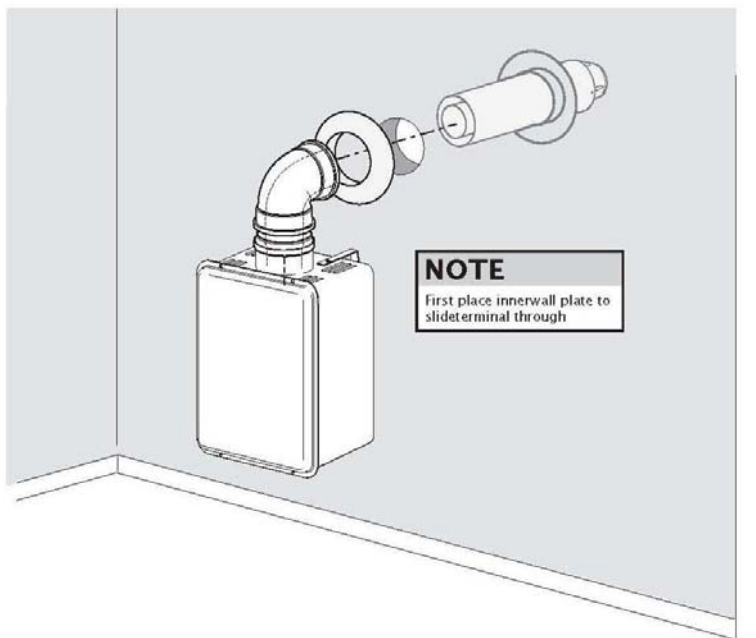


Figure 35

From the outside of the building, slide the wall discharge terminal through the vent wall passage. A supplied rubber wall plate can be installed on the exterior of the building. Slide the inner wall plate onto the terminal. If necessary apply silicon sealant to fill up spaces between vent terminal and the wall. Vent connections must be firmly pressed together so that the gaskets form an airtight seal.

NOTE

When the total vent system length is greater than 5ft. (1,52 m), condensate will form which could damage the water heater. For vent lengths greater than 5ft. (1,52 m), a condensate collector and trap must be installed.

Horizontal Vent System Installation examples

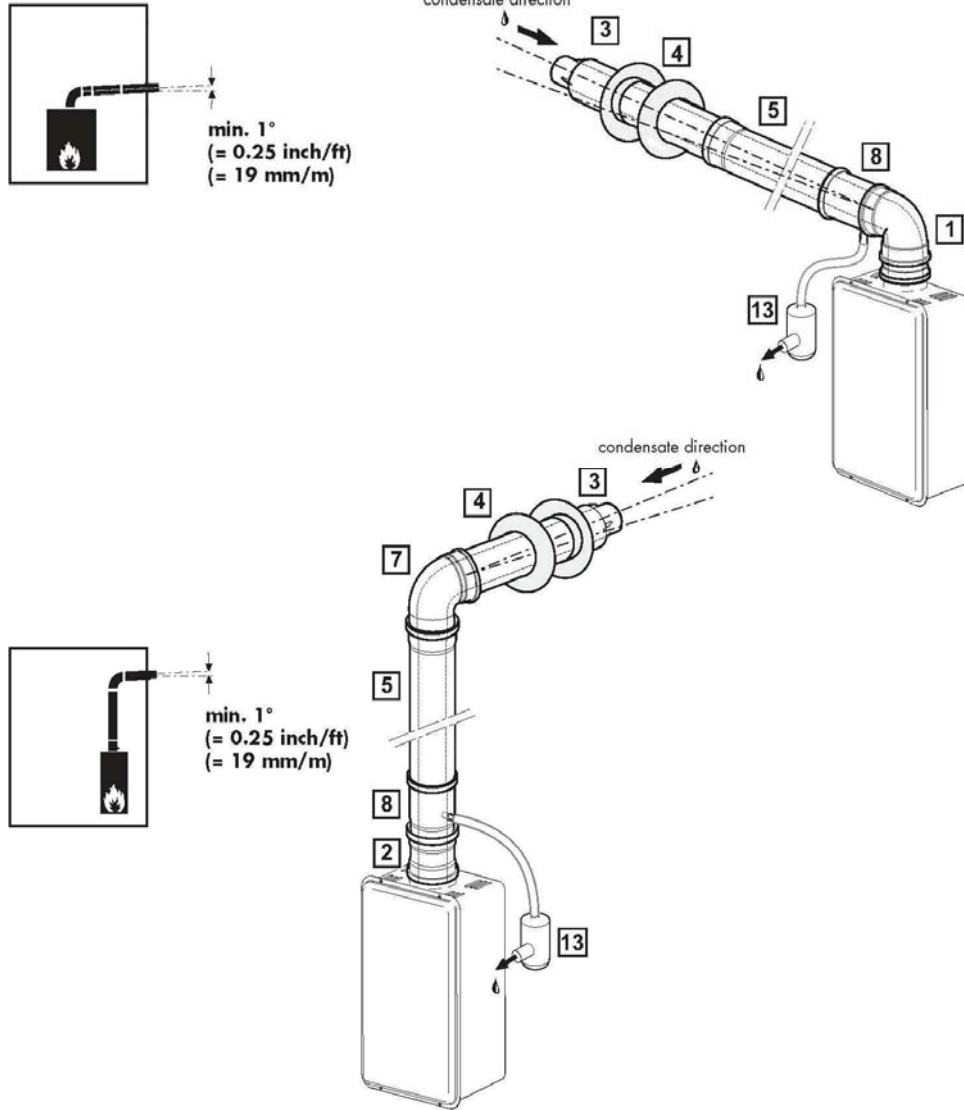


Figure 36

Installation Instructions Everhot Vertical Discharge Vent System

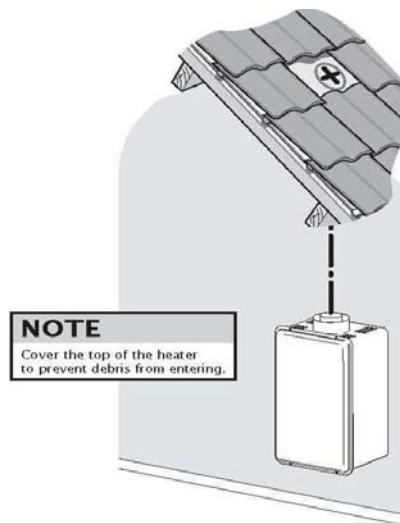
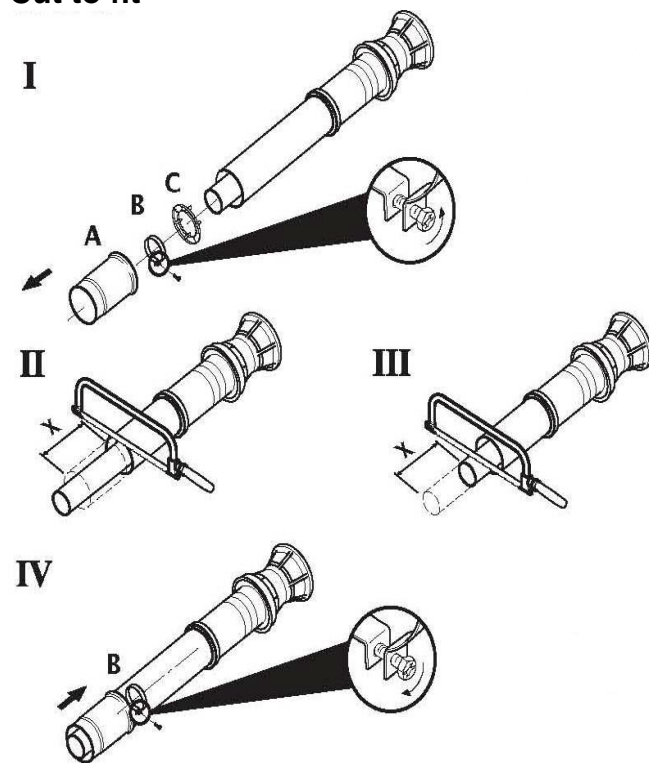


Figure 37

Identify the vent location

Determine the location where the roof discharge terminal will be installed. Taking into account the angle of the roof, cut the hole with a dimension that allows the vertical discharge roof terminal to be installed.

Cut to fit



The terminal can be shortened by removing the components A+B+C, and then shortening both the inside and outside pipes with the same length X.

Re-assemble the terminal by attaching the components A, B, and C in the correct order. Tighten component B securely.

Figure 38

Mounting the vent system

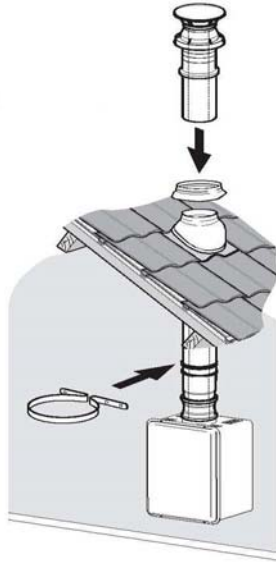


Figure 39

Vent connections must be firmly pressed together so that the gaskets form an airtight seal. Secure the system with the supplied vent pipe clamp or perforated hanger iron.

NOTE

When the total vent system length is greater than 5ft. (1,52 m), condensate will form which could damage the water heater. For vent lengths greater than 5ft. (1,52 m), a condensate collector and trap must be installed.

Vertical Vent System Installation examples

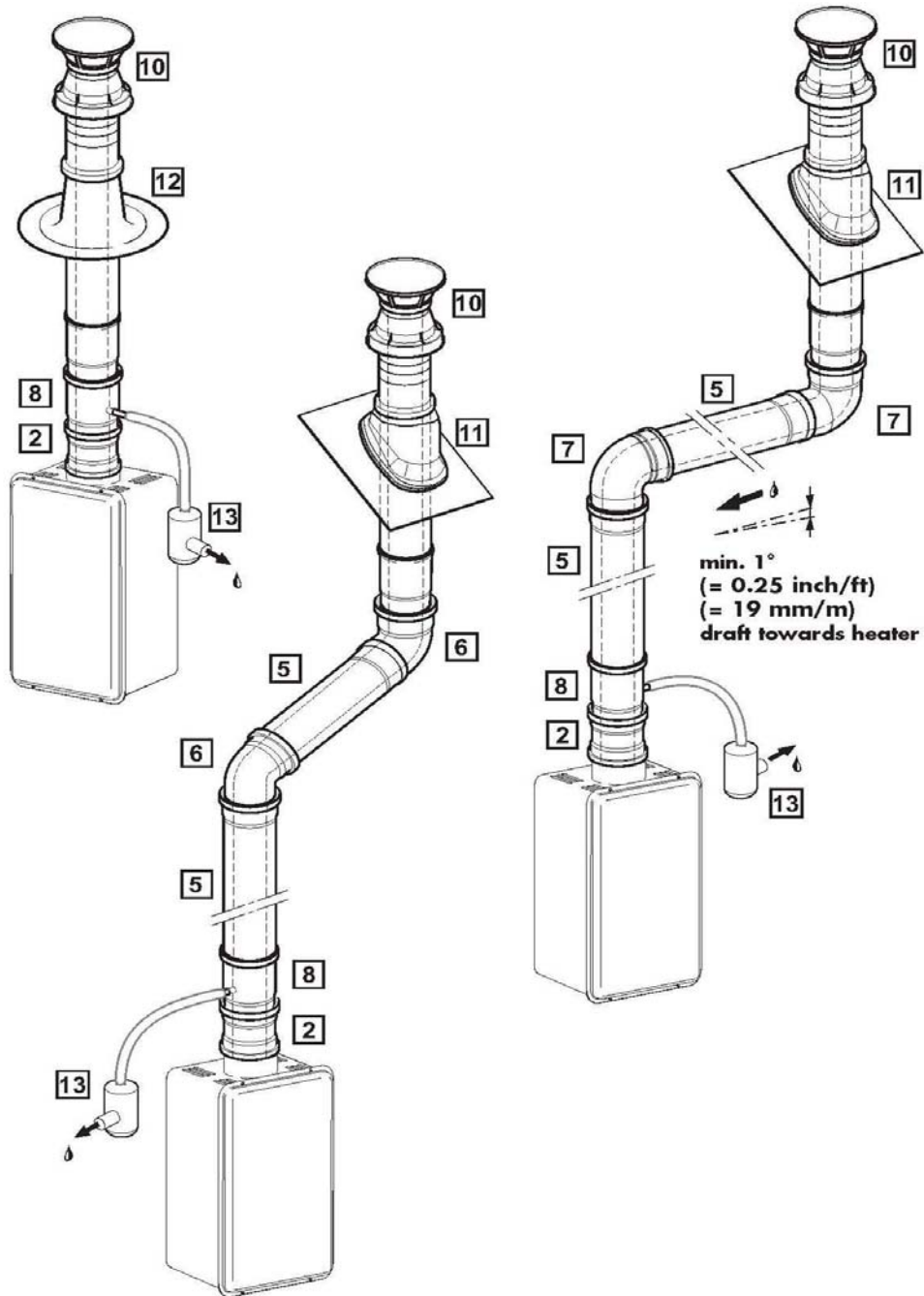


Figure 40

Cut Line Template

