

GROUP I

Units Rated 120 x 240 V Input: 12/24 V Output		
INPUT	OUTPUT	CONNECTION DIAGRAM
120	12	K
120	24	L
240	12	M
240	24	N

GROUP II

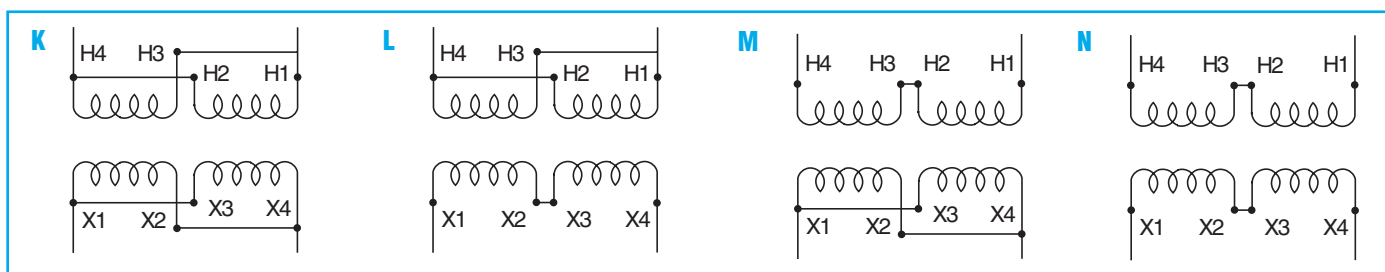
Units Rated 120 x 240 V Input: 16/32 V Output		
INPUT	OUTPUT	CONNECTION DIAGRAM
120	16	K
120	32	L
240	16	M
240	32	N

GROUP III

Units Rated 240 x 480 V Input: 24/48 V Output		
INPUT	OUTPUT	CONNECTION DIAGRAM
240	24	K
240	48	L
480	24	M
480	48	N

LOW VOLTAGE LIGHTING WIRING DIAGRAMS

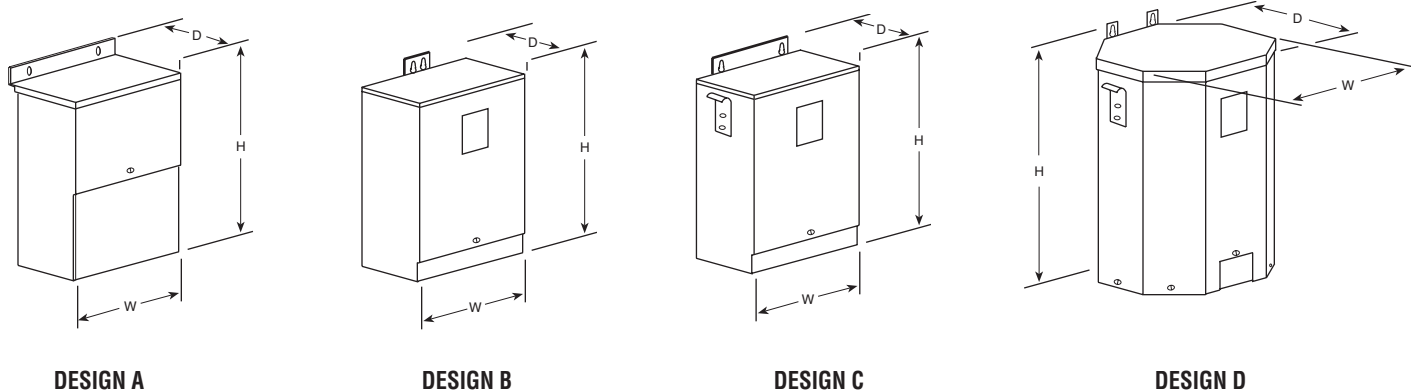
SINGLE PHASE



	Number of Leads per Termination							
	H1	H2	H3	H4	X1	X2	X3	X4
T213078	1	1	1	1	2	2	2	2
T213079	1	1	1	1	2	2	2	2
T243571	1	1	1	1	2	2	2	2
T211688	1	1	1	1	2	2	2	2
T211689	1	1	1	1	2	2	2	2

All leads with same designation (ex. X1, X1)
MUST be joined together for proper operation.

BUCK-BOOST DIMENSIONAL DRAWINGS



NOTE: All designs listed above are totally enclosed and suitable for UL 3R outdoor service.