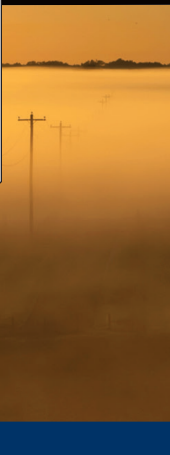
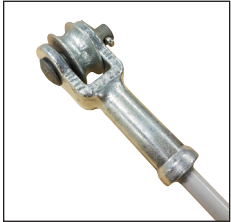




INSULIGN[®] Guy Strain Insulators Fiberglass



- COMMUNICATIONS
- ENERGY
- SPECIAL INDUSTRIES
- SOLAR



PLP® Distribution Products

INSULIGN® Guy Strain Insulators – Fiberglass

Rated Strength: (16,000 lbs, 21,000 lbs, 30,000 lbs, and 36,000 lbs)

Description

The Preformed Line Products' INSULIGN Guy Strain Insulator series is intended for use with down guys or pole-to-pole guys on overhead lines. The insulative fiberglass rod electrically isolates the guy strand and provides electrical clearance for maintenance crews and the public during normal operation.

Features

Compared to porcelain strain-type insulators, PLP's fiberglass guy strain insulators provide a greater insulative distance which minimizes the potential and severity of dry and wet flashover. Fiberglass guy strain insulators provide a more durable solution compared to conventional porcelain insulators. INSULIGN Guy Strain Insulators utilize a proprietary veiled fiberglass rod that allows for superior performance when exposed to UV conditions.

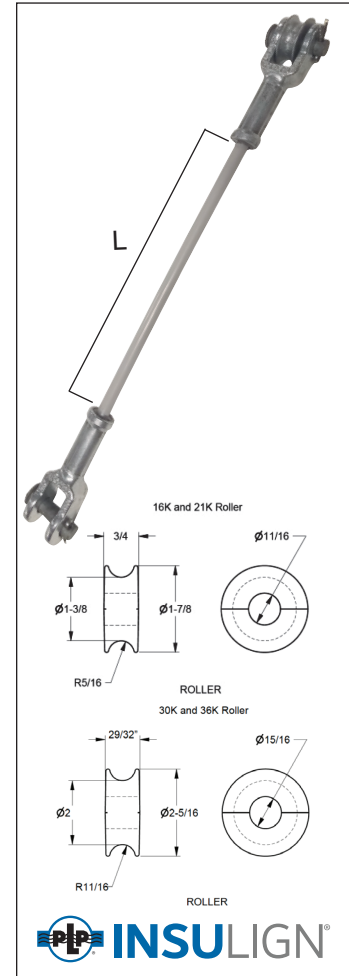
- Veiled fiberglass rod provides superior UV protection
- Crimped end fittings are designed to assure consistent, high-performance holding strength
- Manufactured, tested, and verified to meet PLP's high-quality standards.
- Hardware hot-dipped galvanized per ASTM A153 or ASTM A123



Clevis Roller application



Clevis to Thimble-Eye application



GSF 21- 54 CCR

<p>Standard designation for Guy Strains – Fiberglass</p>	<p>Load Rating:</p> <p>16 = 16K 21 = 21K 30 = 30K 36 = 36K</p>	<p>Insulative Length "L" of Fiberglass:</p> <p>12 = 12" 18 = 18" 24 = 24" 36 = 36" 42 = 42" 54 = 54" 78 = 78" 96 = 96" 120 = 120" 144 = 144"</p>	<p>Fitting Combinations:</p> <p>CC = Clevis/Clevis CCR = Clevis/Clevis with Roller RR = Clevis/Clevis with 2 Rollers CTE = Clevis/Thimble-Eye CTR = Clevis/Thimble-Eye with Roller CE = Clevis Eye</p>
--	---	---	---

Custom lengths available, contact PLP® for more information.



Global Headquarters
660 Beta Drive
Cleveland, Ohio 44143

Mailing Address:
P.O. Box 91129
Cleveland, Ohio 44101

Telephone: 440.461.5200
Fax: 440.442.8816
Website: preformed.com
Email: inquiries@preformed.com

© 2020 Preformed Line Products
Printed in U.S.A.
EN-SS-1238-3
04.20.IH