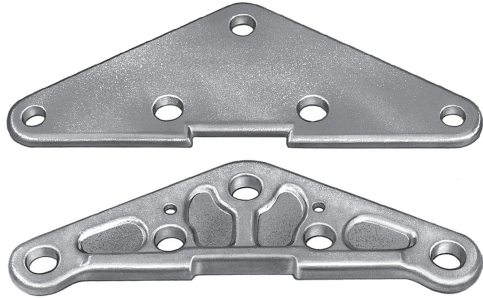


Hardware Fittings — Ductile/Steel

Yoke Plates Delta Configuration

DUCTILE/STEEL

YPD

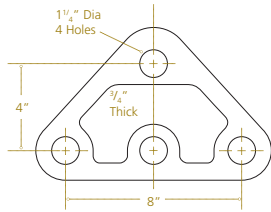


Delta Configuration

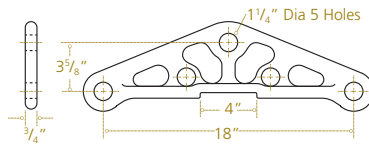
These yoke plates may be used to bundle two conductors in suspension application with a single string of insulators. They also may be used in deadend applications with two strings of insulators and one deadend clamp.

Type YPD may be furnished in a variety of sizes, hole spacings and ultimate strengths. For yokes with corona ring mounting provision, consult factory.

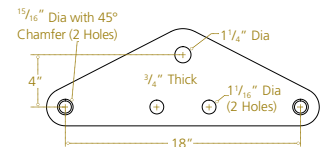
Material: Body – galvanized ductile iron or galvanized steel



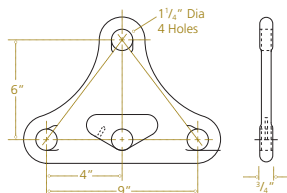
Catalog Number YPD5024685
Ultimate Strength — 50,000 lb
(Apex Hole). Ductile



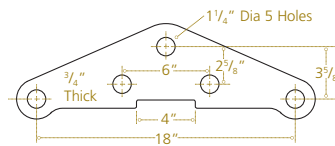
Catalog Number YPD3018437-3
Ultimate Strength — 30,000 lb
(Apex Hole). Ductile



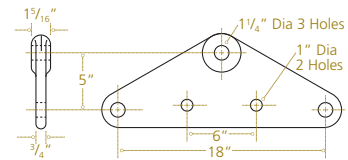
Catalog Number YPD7211574
Ultimate Strength — 72,000 lb
(Apex Hole). Steel



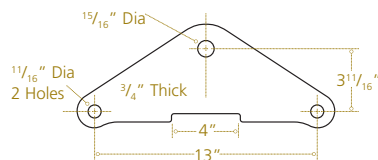
Catalog Number YPD3015238-2
Ultimate Strength — 30,000 lb
(Apex Hole). Ductile



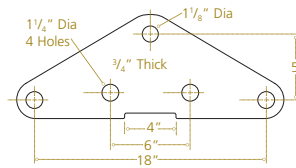
Catalog Number YPD4018342-4
Ultimate Strength — 40,000 lb
(Apex Hole). Ductile



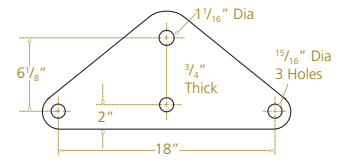
Catalog Number YPD8018475
Ultimate Strength — 80,000 lb
(Apex Hole). Ductile



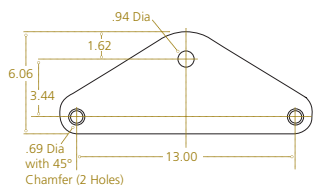
Catalog Number YPD4024465
Ultimate Strength — 40,000 lb
(Apex Hole). Ductile



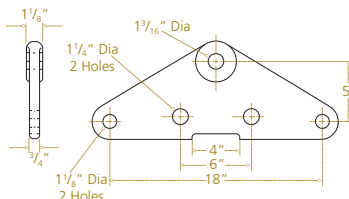
Catalog Number YPD5018549-1
Ultimate Strength — 50,000 lb
(Apex Hole). Ductile



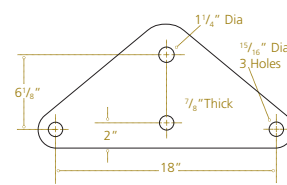
Catalog Number 947604001
Ultimate Strength — 90,000 lb
(Apex Hole). Steel



Catalog Number 796034001
Ultimate Strength — 60,000 lb
(Apex Hole). Steel



Catalog Number YPD60183771
Ultimate Strength — 60,000 lb
(Apex Hole). Ductile

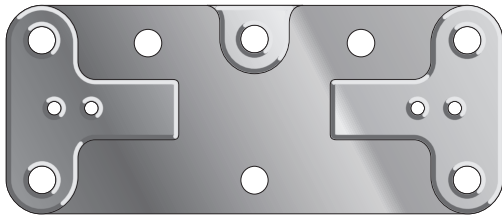


Catalog Number 951544001
Ultimate Strength — 100,000 lb
(Apex Hole). Steel

Yoke Plates Rectangular Configuration

DUCTILE/STEEL

YPR

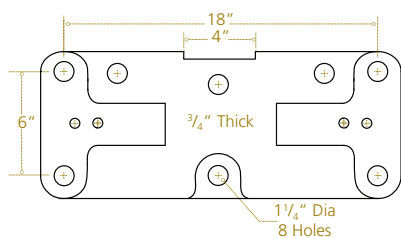


Rectangular Configuration

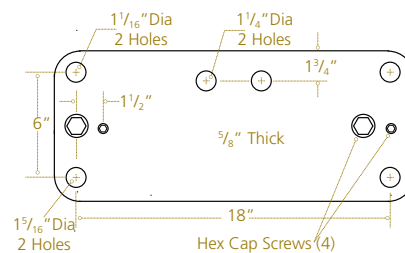
These yoke plates are used with a double string of insulators to deadend a two conductor bundle.

Type YPR yoke plates may be furnished in a variety of sizes, hole spacings, ultimate strengths and provisions for mounting corona rings.

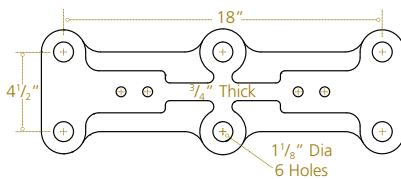
Material: *Body* – galvanized ductile iron or galvanized steel



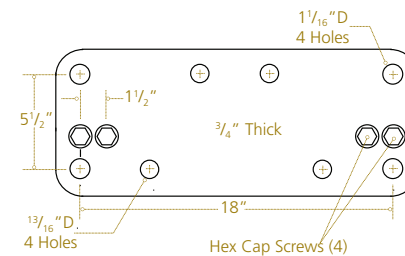
Ductile
Catalog Number YPR30187221
Ultimate Strength Per Insulator
Attachment Hole – 30,000 lb
Contact Factory for Lifting Hole Rating



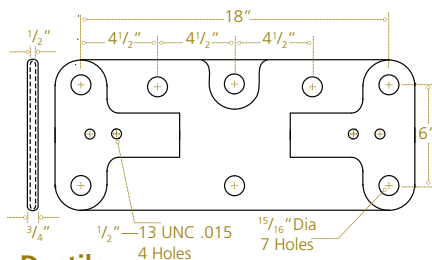
Steel
Catalog Number 976113002
Ultimate Strength Per Insulator
Attachment Hole – 30,000 lb



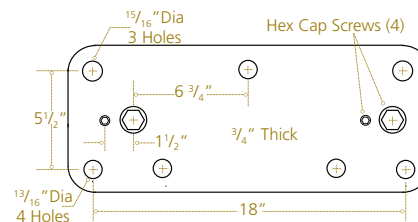
Ductile
Catalog Number YPR30173512
Ultimate Strength Per
Attachment Hole – 30,000 lb
Lifting Hole Rating – 30,000 lb



Steel
Catalog Number 950213002
Ultimate Strength Per Insulator
Attachment Hole – 50,000 lb



Ductile
Catalog Number YPR6019401
Ultimate Strength Per Insulator
Attachment Hole – 60,000 lb
Contact Factory for Lifting Hole Rating



Steel
Catalog Number 929333002
Ultimate Strength Per Insulator
Attachment Hole – 40,000 lb

Hardware Fittings — Aluminum, Ductile/Steel

Transmission Corona Rings

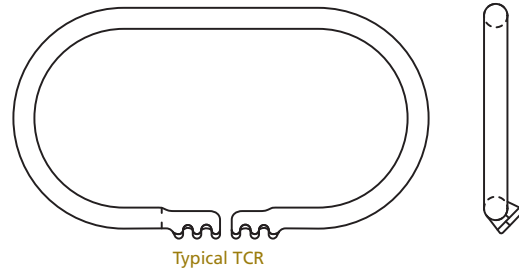
Type TCR corona rings are primarily used on deadend assemblies to grade the lower insulators on a string and shield the associated hot line hardware from corona and RIV. Type TCR corona rings are fabricated in a variety of sizes, shapes and mounting angles, depending on the system voltage and deadend assembly type.

Contact factory with deadend assembly details for assistance in specifying a specific TCR ring catalog number.

Material: Body – galvanized ductile iron or galvanized steel

ALUMINUM

TCR



Yoke Plates Vee Configuration



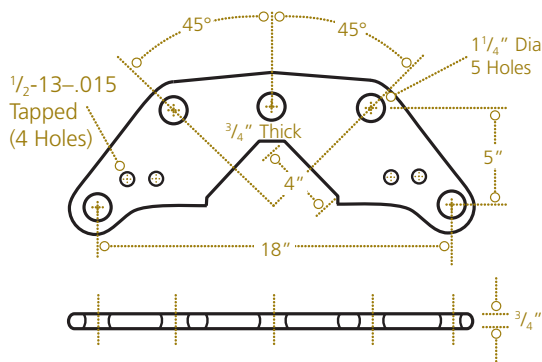
DUCTILE/STEEL

YPV

These yoke plates are used with a VEE string of insulators to attach a two conductor bundle.

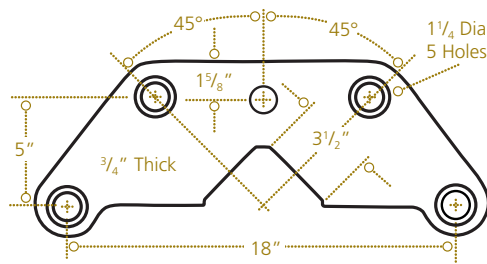
Type YPV yoke plates may be furnished in a variety of sizes, hole spacing, ultimate strengths, insulator attachment angles and provisions for mounting corona rings.

Material: Body – galvanized ductile iron or galvanized steel



Ductile
Catalog Number YPV30172591

(With (4) 1/2" - 13 Holes)
Catalog Number YPV30172592
(Without (4) 1/2" - 13 Holes)
Ultimate Strength – 30,000 lb Per Insulator Attachment Hole at Indicated Angle
Contact Factory for Lifting Hole Rating



Steel
Catalog Number 930064004

Ultimate Strength – 40,000 lb
Per Insulator Attachment Hole at Indicated Angle

Hardware Fittings — Ductile/Steel

Yoke Plates Crescent Configuration

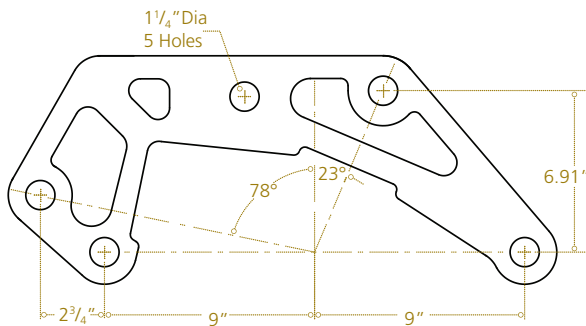
These yoke plates are used to bundle two conductors with a single and v-string, or single string, of insulators and maintain the proper running angle of the line.

Type YPC yoke plates may be furnished in a variety of sizes, hole spacing, ultimate strengths and insulator attachment angles.

Material: Body – galvanized ductile iron or galvanized steel

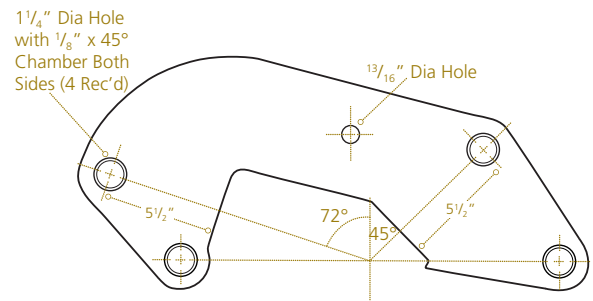
DUCTILE/STEEL

YPC



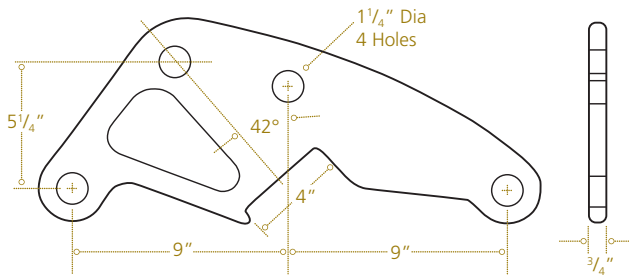
Ductile
Catalog Number – YPC30174241

Ultimate Strength – 30,000 lb Per Insulator
Attachment Hole at Indicated Angle
Contact Factory for Lifting Hole Rating



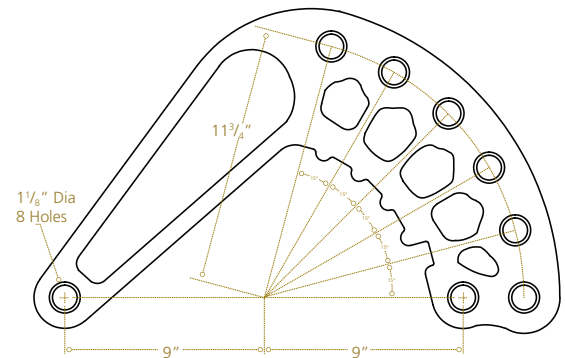
Steel
Catalog Number – 945834005

Ultimate Strength – 50,000 lb Per Insulator
Attachment Holes at Indicated Angle
Contact Factory for Lifting Hole Rating



Ductile
Catalog Number – YPC4024534

Ultimate Strength – 40,000 lb Per Insulator
Attachment Holes at Indicated Angle
Contact Factory for Lifting Hole Rating



Ductile
Catalog Number – YPC5026001

Ultimate Strength – 50,000 lb Per Insulator
Attachment Holes at Indicated Angle
Contact Factory for Lifting Hole Rating

Hardware Fittings — Ductile Iron, Steel

Yoke Plates Tee Configuration

DUCTILE IRON

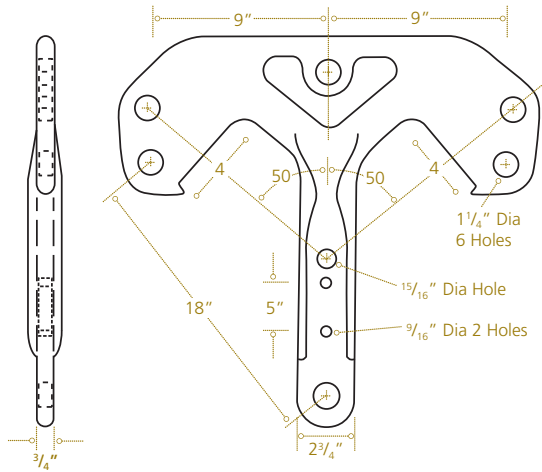
YPT



These yoke plates are used to bundle three conductors with a VEE string of insulators.

Type YPT yoke plates may be furnished in a variety of sizes, hole spacing, ultimate strengths, and insulator attachment angles.

Material: Body – *galvanized ductile iron*



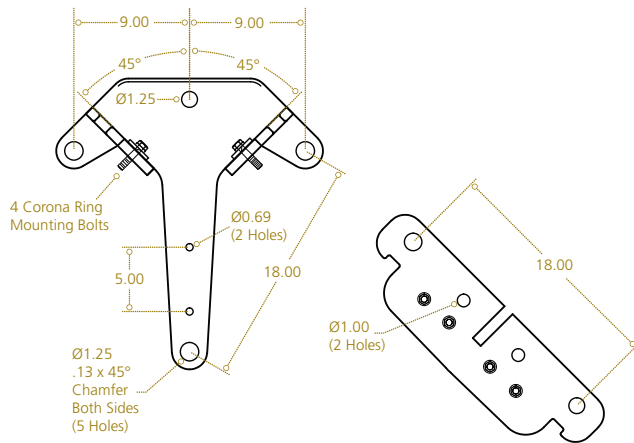
Catalog Number — YPT40236673

Ultimate Strength — 40,000 lb Per Insulator Attachment Hole at Indicated Angle
Contact Factory for Lifting Hole Rating

Yoke Plate Tee-Batwing Configuration

STEEL

YPTB



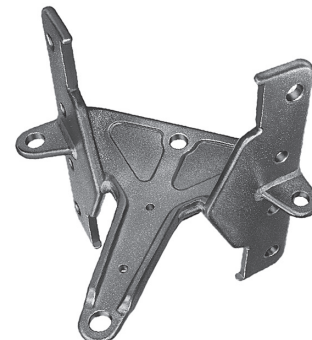
These yoke plates are used to bundle three conductors with a double VEE string of insulators.

Type YPTB yoke plates may be furnished in a variety of sizes, hole spacing, ultimate strengths, and insulator attachment angles.

Material: Body – *galvanized steel*

Catalog Number — YPTB40114894

Ultimate Strength — 40,000 lb Per Insulator Attachment Hole at Indicated Angle
Contact Factory for Lifting Hole Rating

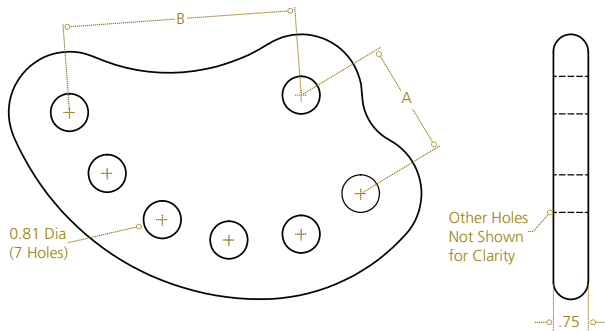


Hardware Fittings — Ductile Iron, Steel

Yoke Plate Tension-Adjustment Configuration

DUCTILE IRON

YPTA



Type YPTA tension-adjusting yoke plates are used to attach associated deadend hardware and maintain desired line tension. Adjustments are made by varying the assembly attachment point with the use of a CEEL093065 or similar part.

Material: Body – galvanized ductile iron

Product Data

Catalog Number	Ultimate Strength lb (kN)	Dimensions Inches (mm)				Approx Wt Each lb (kg)
		A	B	Total Adjustment	Step	
YPTA4025052	40,000 (178)	2½ (63.5)	5 (127)	2½ (63.5)	½ (12.7)	6.9 (3.13)

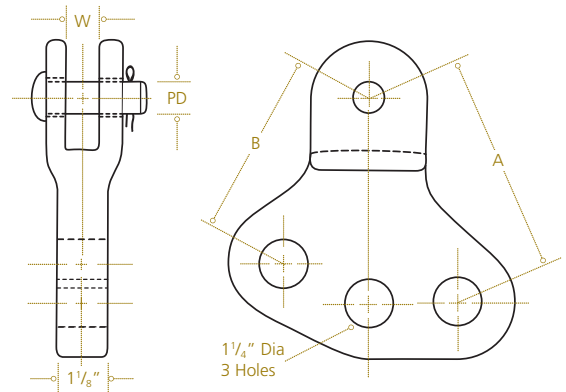
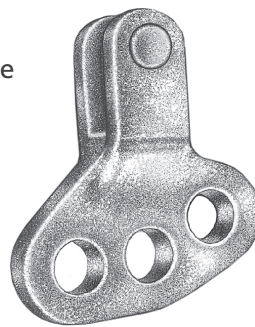
Yoke Plate (Tension-Adjustment Clevis)

DUCTILE IRON

YPTAC

Type YPTAC tension adjusting yoke plates are used to attach associated deadend hardware and maintain desired line tension. Clevis type deadend clamps attach directly to yoke and can then be attached to associated hardware.

Material: Body – galvanized ductile iron
Clevis Pin – galvanized steel
Cotter Pin – stainless steel



Product Data

Catalog Number	Ultimate Strength lb (kN)	Dimensions Inches (mm)						Total Adjustment	Step	Approx Wt Each lb (kg)
		A	B	C	W	PD Diameter				
YPTAC5024658	50,000 (222)	5½ (139.7)	4½ (114.3)	2 (50.8)	1 (25.4)	¾ (19.1)	1 (25.4)	½ (12.7)	7.5 (3.40)	
YPTAC5012927 ⁽¹⁾	50,000 (222)	10¼ (260.4)	7¾ (196.9)	3¼ (87.3)	7/8 (22.2)	¾ (19.1)	2½ (63.5)	½ (12.7)	12.5 (5.68)	

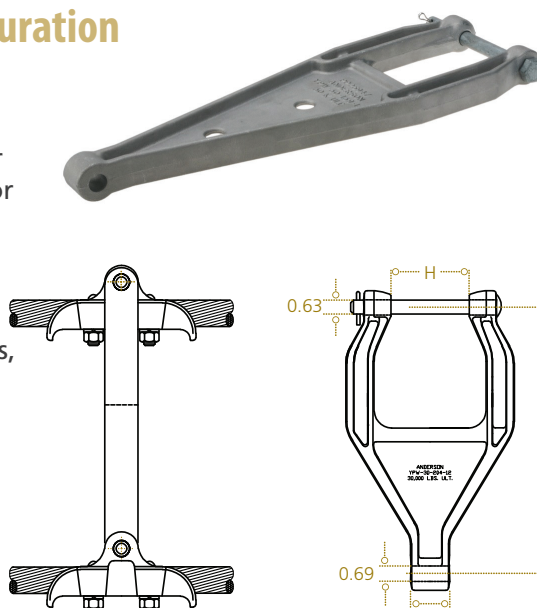
(1) Yoke has 6 adjustment holes.

Hardware Fittings — Aluminum

Bundling Yoke Wishbone Configuration

Type YPW yokes are used to vertically bundle conductors on new or rebuilt lines. Consequently, information as to conductor sizes, types of armor rod, if used, conductor spacing, ultimate strengths and existing clamp details must be given at time of ordering. YPW yokes are designed for use with Anderson™ clamps. Because YPW yokes may be furnished in a variety of sizes, conductor spacing, and ultimate strengths for both low voltage and EHV application, please contact factory for more details.

Material: Yoke Plate – aluminum alloy
Clevis Pin – galvanized steel
Cotter Pin – stainless steel



ALUMINUM

YPW

Product Data

Catalog Number	Suspension Clamp ⁽¹⁾ Catalog Number Series/Size			Ultimate Strength lb (kN)	Dimensions Inches (mm)			Approx Wt Each lb (kg)
	HAS	CFS	CFSHT		E	H	W	
YPW121189	118	—	—	12,000 (53)	9 (229)	2.56 (65.1)	1.00 (25.4)	1.9 (.86)
YPW1513912	139	139	—	15,000 (67)	12 (305)	2.63 (69.9)	1.19 (30.2)	1.8 (.82)
YPW1514712	147	—	—	15,000 (67)	12 (305)	2.63 (69.9)	1.18 (30.0)	2.5 (1.1)
YPW1516212	162	—	—	15,000 (67)	12 (305)	2.84 (72.2)	1.63 (41.3)	2.5 (1.1)
YPW1520412	204	204	—	15,000 (67)	12 (305)	3.31 (84.1)	1.75 (44.5)	2.9 (1.3)
YPW3020412	182 & 204	182 & 204	182	30,000 (133)	12 (305)	3.50 (88.9)	1.75 (44.5)	3.2 (1.4)
YPW3021312	213	213 & 227	213	30,000 (133)	12 (305)	4.06 (103)	1.75 (44.5)	3.7 (1.7)
YPW3011818	118	118	—	30,000 (133)	18 (457)	2.63 (66.8)	1.06 (27.0)	4.5 (2.0)
YPW3013912	139 & 147	139	—	30,000 (133)	12 (305)	2.87 (72.9)	1.38 (35.1)	3.5 (1.6)
YPW3013918	139 & 147	139 & 147	—	30,000 (133)	18 (457)	2.87 (72.9)	1.38 (35.1)	4.5 (2.0)
YPW3018218	182 & 204	182 & 204	182	30,000 (133)	18 (457)	3.63 (92.1)	1.75 (44.5)	4.2 (1.9)
YPW3021318	213	213 & 227	213	30,000 (133)	18 (457)	4.13 (105)	1.75 (44.5)	4.7 (2.1)
YPW3025218	252	—	—	30,000 (133)	18 (457)	4.24 (108)	2.25 (57.2)	5.0 (2.3)

NOTE: For vertical bundling yoke designs not covered above, consult factory. Add “BNK” suffix to catalog number for bolt, nut and cotter key option.

(1) Refer to Suspension Clamp section for details.

Hardware Fittings — Aluminum

Jumper Yoke Plate

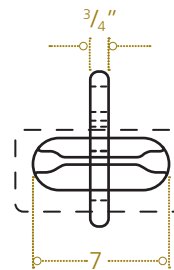
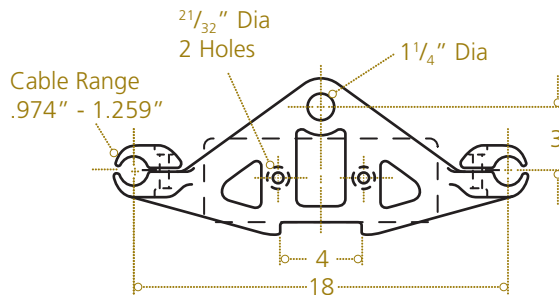
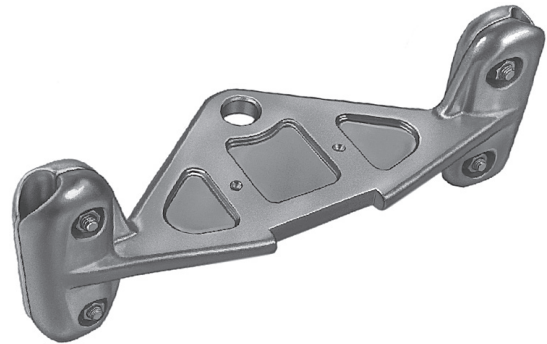
ALUMINUM

YPJ

These jumper yokes are used to bundle two, three or four conductors with a single string of insulators on a deadend tower. All jumper yokes have the provision for adding hold down weights.

Type YPJ Yoke plates may be furnished in a variety of conductor sizes and configurations.

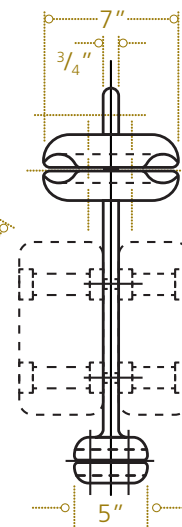
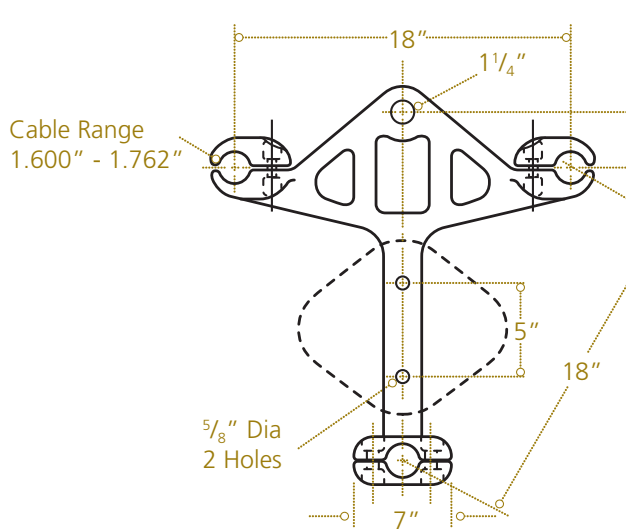
Material: Body – aluminum alloy



For Hold Down Weights, see next page.

Catalog Number - YPJ21018215

Ultimate Strength - 10,000 lbs. Per Insulator Attachment Hole



For Hold Down Weights, see next page.

Catalog Number - YPJ31024414

Ultimate Strength - 10,000 lb Per Insulator Attachment Hole