

2/20/2016

Hubbell Power Systems - Products for Electric Utilities, Telecommunications and Construction Industries



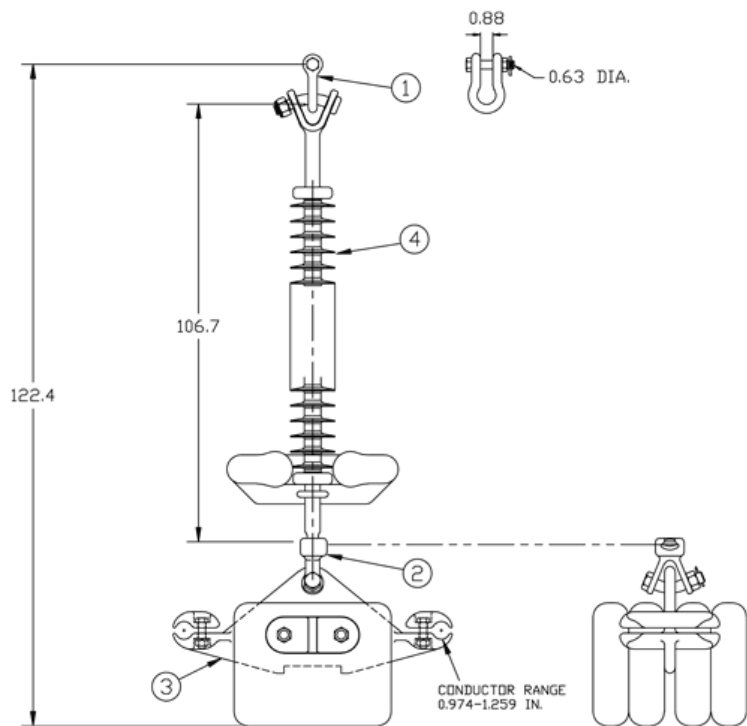
For sales and support visit:
hubbellpowersystems.com/contact/

Home > Products > Connectors > Transmission > Transmission Assemblies > 345kv > Suspension (Jumper Support)

Suspension (Jumper Support)

**EHV JUMPER SUPPORT
 DOUBLE CONDUCTOR, SINGLE INSULATOR STRING**

ASSEMBLY
TAJ21



(330-345kV)

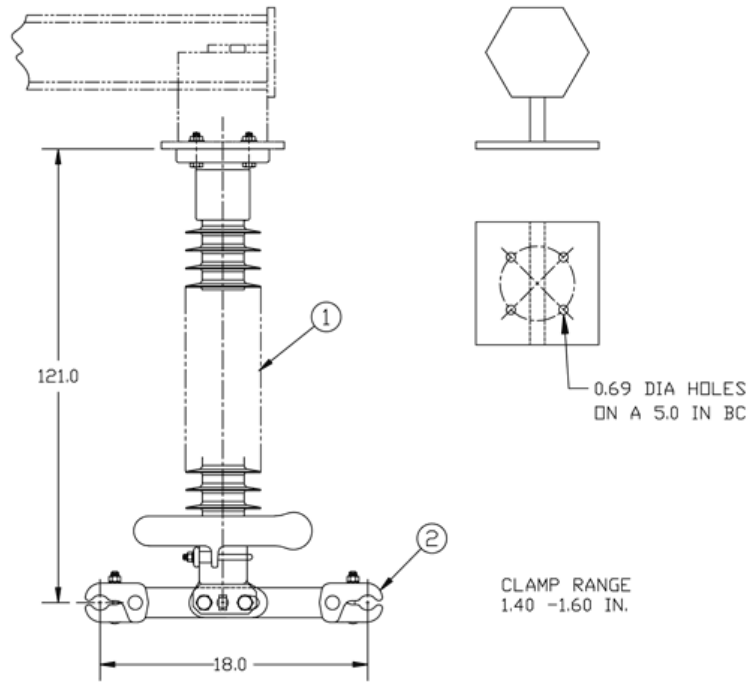
Contact HPS for assistance in selection of compatible components for specific conductor and voltage application. Ball & socket dimensions per ANSI Class 52-5.

ITEM	CATALOG TYPE	DESCRIPTION	QTY.	MATERIAL	ULTIMATE STRENGTH LBS.
1	AS25LBNK	Anchor Shackle	1	Forged Steel	30,000
2	SYC30	Socket/Y-Clevis	1	Ductile Iron	30,000
3	YPJ21018215200	JumperYoke, with 200 lb Wt.	1	Alumimum/Galv Iron	10,000
4	S030107S201B	Insulator, Susp. w/Ring	1	Polymer Composite	30,000

TOP ↑

**EHV JUMPER SUPPORT
 DOUBLE CONDUCTOR, SINGLE POST INSULATOR**

ASSEMBLY
TAJ21P



(330-345kV)

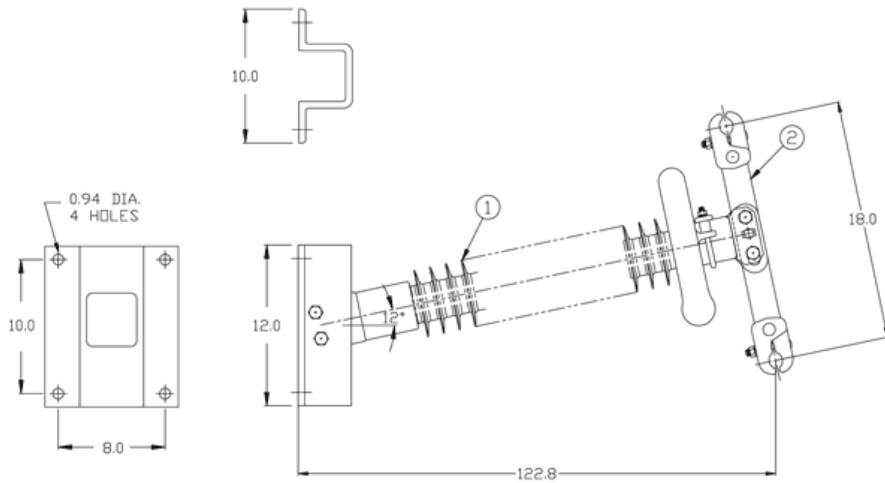
Contact HPS for assistance in selection of compatible components for specific conductor and voltage application.

ITEM	CATALOG TYPE	DESCRIPTION	QTY.	MATERIAL	ULTIMATE STRENGTH LBS.
1	P250111S015A	Insulator, Post w/Ring	1	Polymer Composite	15,000
2	2717253001	Yoke/Clamp Assy.	1	Steel/Aluminum	5,000

TOP ↑

**EHV JUMPER SUPPORT
DOUBLE CONDUCTOR, SINGLE POST INSULATOR**

**ASSEMBLY
TAJ21P**



(330-345kV)

Contact HPS for assistance in selection of compatible components for specific conductor and voltage application.

ITEM	CATALOG TYPE	DESCRIPTION	QTY.	MATERIAL	ULTIMATE STRENGTH LBS.
1	P250111S003A	Insulator, Post w/Ring	1	Polymer Composite	15,000
2	2717253001	Yoke/clamp Assy.	1	Steel/Aluminum	5,000

TOP ↑



All contents Copyright© 2001 - 2016 Hubbell Incorporated. All rights reserved. Because Hubbell has a policy of continuous product improvement, we reserve the right to change design specifications without notice.
Terms of Use | Contact Us | Site Map | Careers