

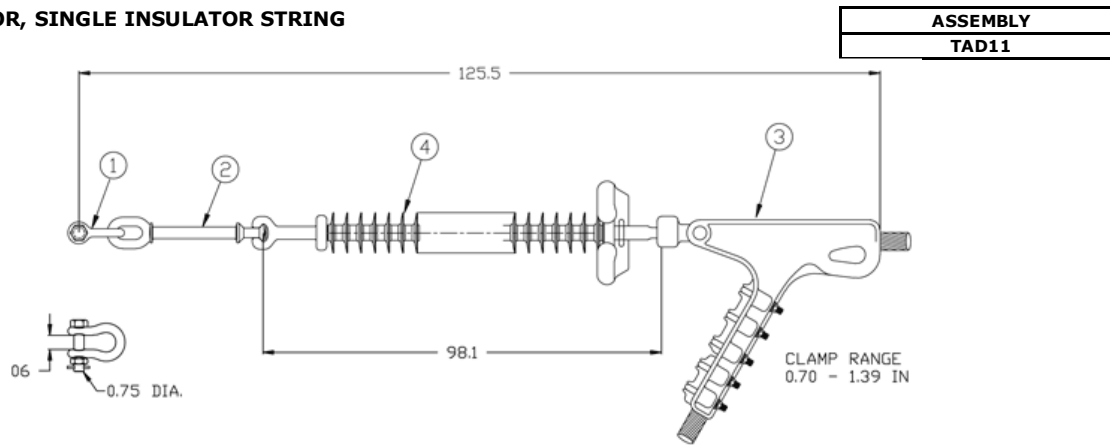


For sales and support visit:  
[hubbellpowersystems.com/contact/](http://hubbellpowersystems.com/contact/)

Home > Products > Connectors > Transmission > Transmission Assemblies > 230kV > Deadend

**Deadend**

**SINGLE CONDUCTOR, SINGLE INSULATOR STRING**

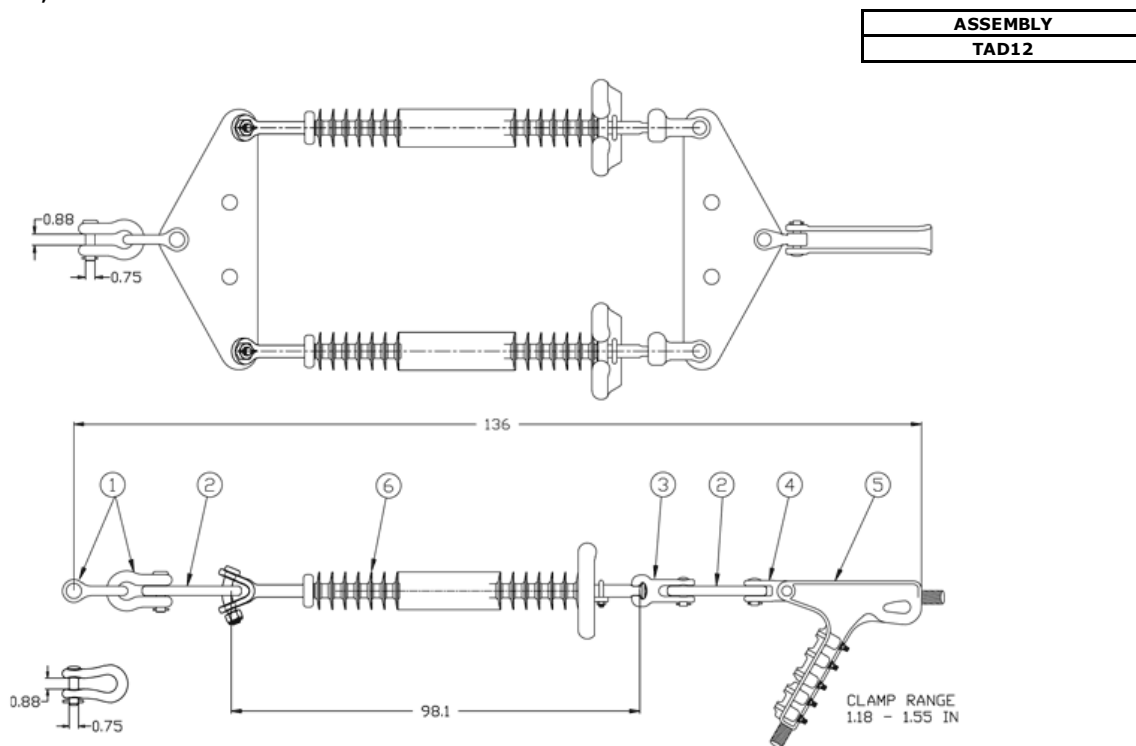


**(220-240kV)**

Contact HPS for assistance in selection of compatible components for specific conductor and voltage application. Ball & socket dimensions per ANSI Class 52-5.

ITEM	CATALOG TYPE	DESCRIPTION	QTY.	MATERIAL	ULTIMATE STRENGTH LBS.
1	AS35BNK	Anchor Shackle	1	Forged Steel	40,000
2	HOEB30	Oval Eye/Ball Link (11")	1	Forged Steel	30,000
3	SD130S	Strain Clamp w/Socket Eye	1	Ductile Iron	30,000
4	S030086S301A	Insulator, Susp. w/Ring	1	PolymerComposite	30,000

**SINGLE CONDUCTOR, DOUBLE INSULATOR STRING**



**(220-240kV)**

Contact HPS for assistance in selection of compatible components for specific conductor and voltage application. Ball & socket dimensions per ANSI Class 52-5.

ITEM	CATALOG TYPE	DESCRIPTION	QTY.	MATERIAL	ULTIMATE STRENGTH LBS.
1	AS50	Anchor Shackle	2	Forged Steel	50,000
2	YPD40183424	Yoke Plate	2	Ductile Iron	40,000
3	SC30	Socket Clevis	2	Ductile Iron	30,000

4	CE03415	Clevis Eye	1	Ductile Iron	50,000
5	SD155N	Strain Clamp	1	Aluminum	35,000
6	S030086S201A	Insulator, Susp. w/Ring	2	Polymer Composite	30,000

[TOP ↑](#)

All contents Copyright© 2001 - 2016 Hubbell Incorporated. All rights reserved. Because Hubbell has a policy of continuous product improvement, we reserve the right to change design specifications without notice.  
[Terms of Use](#) | [Contact Us](#) | [Site Map](#) | [Careers](#)