



<http://waterheatertimer.org/Review-Rheem-Marathon-water-heater.html>

The new degree of comfort.™

PERFORMANCE

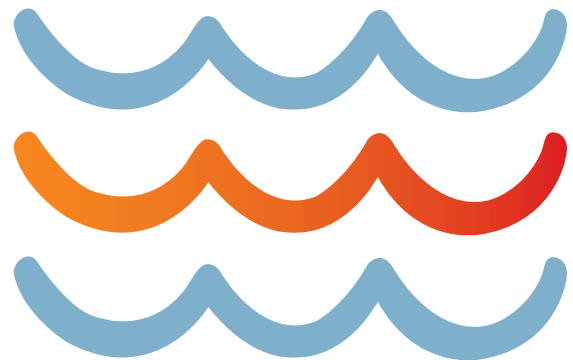
FOR LIFE



Marathon® Thermal Storage Tanks:

Designed for solar, geothermal and indirect heating

- Guaranteed not to leak for as long as you own your home
- Thermostatically controlled backup elements
- Easy installation with 2 or 3 port configurations





The new degree of comfort™



Residential Electric
Marathon Thermal Storage Tanks

Marathon thermal storage tanks are designed for solar, geothermal and indirect heating with a warranty to back it up

Designed for Alternative Energy Applications

- Specifically designed for installation as a thermal storage tank
- Backup electrical element provides 40 gallons or more of heated water
- Large water connections for lower pressure drop

Built to Last!

- Seamless, blow-molded, polybutene tank – impervious to rust and corrosion
- Titanium sheath elements for superior resistance to lime build-up
- Multiple layers of filament wound fiberglass give the tank unmatched strength
- Tough molded polyethylene outer shell resists dents and scratches

Designed for Easy Installation

- Water port fittings located at front of storage tank for convenient access
- Full port, full flow brass drain valve for fast draining
- Factory installed temperature and pressure relief valve and vacuum relief valve

Additional Features

- Thermally fused element provides protection against “dry-firing”
- Bowl shaped bottom allows for complete sediment removal
- Recessed drain valve is out of the way of brooms and scrubbers

Warranty

- Lifetime tank and 6-year parts limited warranty

See Residential Warranty Certificate for complete information

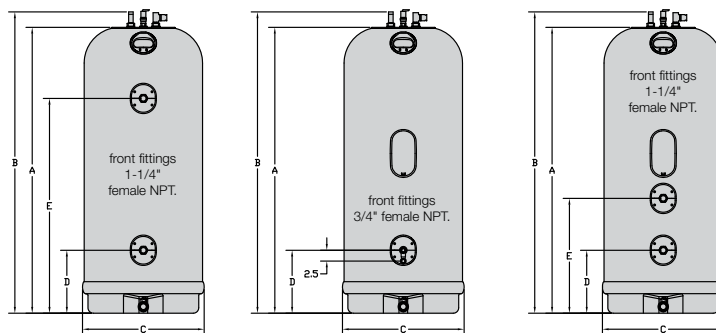
Units meet or exceed ANSI requirements and have been tested according to D.O.E. procedures. Units meet or exceed the energy efficiency requirements of NAECA, ASHRAE standard 90, ICC Code and all state energy efficiency performance criteria.



Marathon Thermal Storage Tanks

50, 85 and 105-Gallon Capacities

2 Port and 3 Port Configurations



- All top fittings 3/4\" female NPT.
- Top fittings spaced 5-3/4\" apart

TYPE	DESCRIPTION		FEATURES	ROUGHING IN DIMENSIONS (SHOWN IN INCHES)					
	GAL. CAP.	MODEL NUMBER †		ELEMENT WATTAGE	TANK HEIGHT A	HEIGHT TO WATER CONN. B	DIAMETER C	HEIGHT TO LOWER PORT D	HEIGHT TO UPPER PORT E
T A L L	50	MTS50200	N/A	62-3/4	66-3/4	23-1/2	13-1/2	46	100
	85	MTS85200	N/A	66-1/4	70-1/4	28-1/4	14-1/2	49-1/2	134
	105	MTS105200	N/A	66-3/4	70-3/4	30-1/4	15	50	152
	85	MTS85245	4500	66-1/4	70-1/4	28-1/4	14-1/2	N/A	134
	105	MTS105245	4500	66-3/4	70-3/4	30-1/4	15	N/A	152
	85	MTS85345	4500	66-1/4	70-1/4	28-1/4	14-1/2	26-1/2	134
	105	MTS105345	4500	66-3/4	70-3/4	30-1/4	15	27-1/2	152

†Canadian certified models have different model numbers than U.S. models. Add a “C” before the model number (e.g., CMTS85245) when ordering.

‡Canadian certified models are not available on thermal storage tanks without backup elements (e.g., MTS50200, MTS85200, MTS105200)

• Storage tanks furnished with elements are standard 240 volt AC.

• Maximum test pressure: 300 PSI

• Maximum working pressure: 150 PSI

• Maximum water temperature: 180° F

In keeping with its policy of continuous progress and product improvement, Rheem reserves the right to make changes without notice.

Rheem Water Heating • 101 Bell Road
Montgomery, Alabama 36117-4305 • 1.800.621.5622

Rheem Canada Ltd./Ltée • 125 Edgeware Road, Unit 1
Brampton, Ontario L6Y 0P5 • 1.800.268.6966



INTEGRATED AIR & WATER

Rheem.com

PRINTED IN U.S.A. 07/12 WP FORM NO. 104-5 Rev. 4