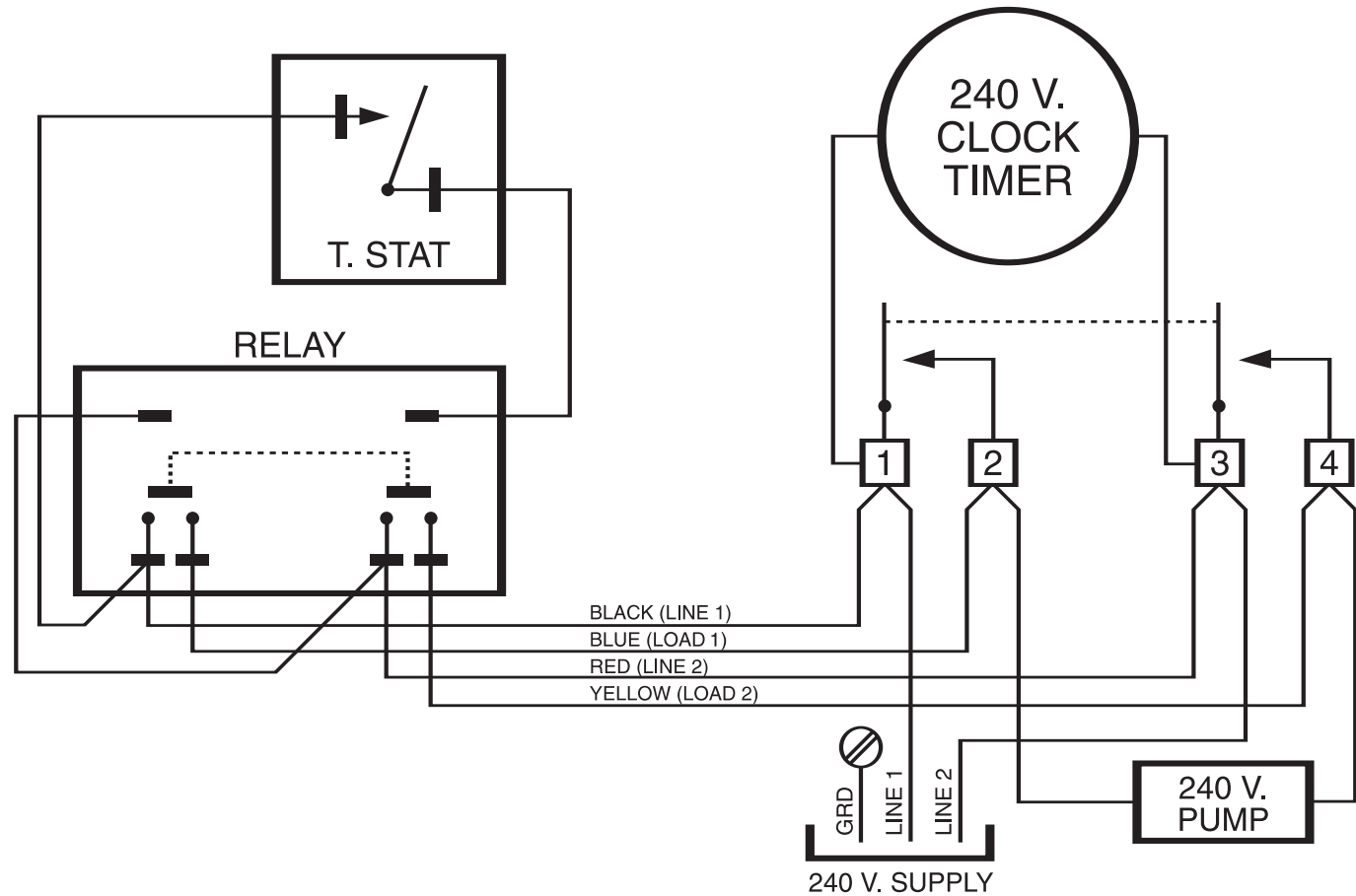


WIRING DIAGRAM



**INSTALLATION
OPERATION &
SERVICE MANUAL**

Model: PF112T Pool Equipment Control

WITH FREEZE PROTECTION IN RAINPROOF ENCLOSURE
ELECTRICAL RATING: 3 HP Max. - 240 Volt, 60 Hz.
MAXIMUM RUNNING LOAD NOT TO EXCEED 17 AMPERES

DANGER! TO AVOID RISK OF INJURY:

...do not permit children to operate the Control Unit or use the Pool/Spa unless they are closely supervised at all times.
 ...test GROUND FAULT protection regularly. If it fails to reset, DO NOT USE THE POOL or SPA! Contact a qualified service technician.
 ...always disconnect electricity before servicing this control or the equipment connected to it. THIS CONTROL IS NOT TO BE USED AS A POWER DISCONNECT.

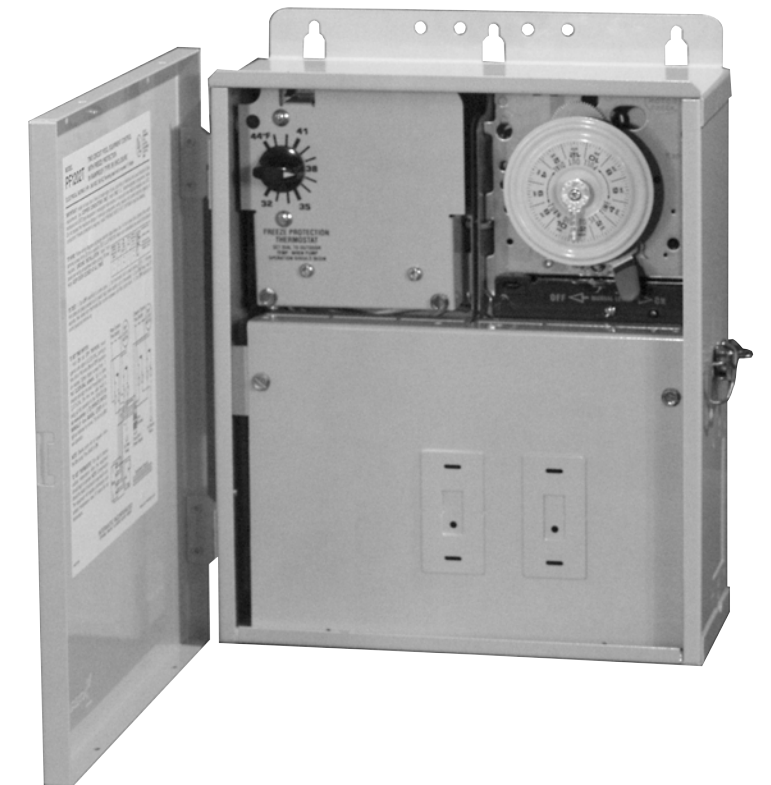
READ, FOLLOW AND SAVE THIS INSTRUCTION MANUAL

GENERAL INFORMATION

This Pool Equipment Control is designed to automatically operate the Filter Pump and also to provide freeze protection for the pool equipment. Nevertheless, this product is not intended to be a substitute for insulation, coverings, or maintenance.

The Filter Pump Time Switch is located in the upper right side of the enclosure and operates the Filter Pump, as set by the trippers on the yellow dial, on a 24 hour schedule. For setting the schedule, refer to page 3 of this manual.

The Freeze Protection Unit is located in the upper left side of the enclosure and turns ON the Filter Pump when the air temperature (where the Control Panel is located) drops below the temperature set on the dial (between 32°F and 45°F).



WARRANTY

If within one (1) year from the date of installation, this product fails due to a defect in material or workmanship, Intermatic Incorporated will repair or replace it free of charge.

The warranty does not cover labor for removal or reinstallation and does not apply to: (a) damage caused by accident, abuse, mishandling, or dropping; (b) a unit which has been subject to unauthorized repair; (c) units not used in accordance with directions; (d) damages exceeding the cost of the product. Some states do not allow a limitation of damages so the foregoing warranty may not apply to you. This warranty gives you specific legal rights and you may also have other rights which vary from state to state.

This warranty service is available, if the defective product or its defective component is returned with proof of purchase and date of installation, either (a) to the dealer from whom the unit was purchased or (b) by shipping prepaid to the Intermatic Service Center, Intermatic Incorporated, Intermatic Plaza, Spring Grove IL 60081-9698

Because of our commitment to continuing research and improvements, Intermatic Incorporated reserves the right to make changes, without notice, in the specifications and material contained herein and shall not be responsible for any damages, direct or consequential, caused by reliance on the material presented.

INTERMATIC INCORPORATED, SPRING GROVE, IL 60081-9698
<http://www.intermatic.com>

IMPORTANT SAFETY INSTRUCTIONS

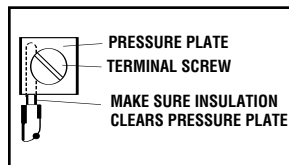
When installing and operating this Product and other associated equipment, basic safety precautions should always be followed, including the following:

1. This Control must be installed by a qualified electrician, according to the National Electrical Code (Including Article 680) and Local Electrical Codes.
2. **USE COPPER CONDUCTORS ONLY.** If applicable, install this Control not less than 5 feet from inside edge of pool or spa.
3. Do not exceed the maximum ratings of individual components, wiring devices, and current carrying capacity of conductors.
4. For grounding of the installation, refer to Article 250 and 680 of the National Electrical Code.
5. This Control should not operate any equipment which would cause bodily injury or property damage should it be activated unexpectedly.
6. Always disconnect electricity at main panel before servicing this Control or the equipment connected to it.
THIS CONTROL IS NOT TO BE USED AS A POWER DISCONNECT.

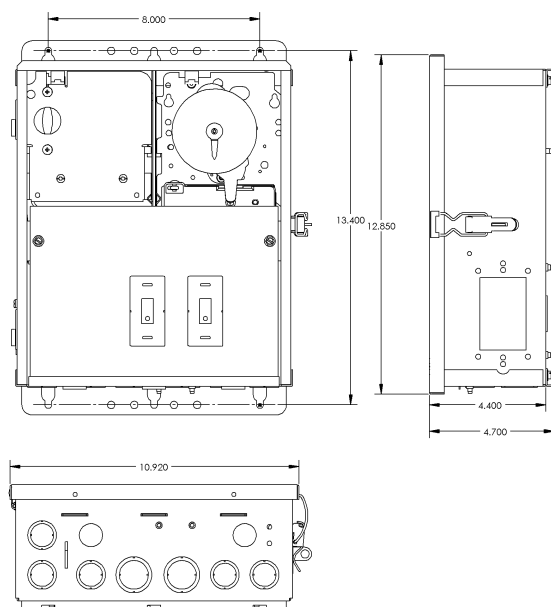
READ, FOLLOW AND SAVE THIS INSTRUCTION MANUAL

INSTALLATION

1. Select the proper location for the Control Panel and prepare the necessary conduit run(s) required by the installation layout.
2. Remove the four #10 hex head screws from the back of the enclosure and attach mounting brackets to enclosure.
3. Hang enclosure on a flat vertical surface or other support, using hardware suitable for the purpose.
4. Properly terminate conduits at both ends and pull-in the conductors as specified by the installation layout.
5. Follow wiring diagram on page 4 of this Manual. Connect LINE 1 and LINE 2 of the 240 Volt supply conductors to time switch terminals 1 and 3 (see insert above for proper connection) and the grounding conductor to the Equipment Grounding Terminal.



6. Connect Filter Pump leads to terminals 2 and 4 of Filter Pump Time Switch. Connect the grounding lead of the pump to the Equipment Grounding Terminal at the bottom of the enclosure.
7. If the Control Panel is installed in a location where it is exposed to direct sun most of the day, extend 8 inches of the copper capillary tube of the thermostat into an open ended (plastic or metal) conduit, about 10 inches long, installed at bottom of the enclosure. **Handle capillary tube with care!**

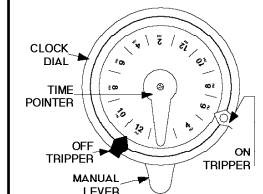


OPERATION

TO SET FILTER PUMP TIME SWITCH, follow instructions on the right. The length of the daily filtration/heating cycle depends on many variables such as size, shape, geographic location of the pool, water chemistry, type of pool equipment, usage and season of year. If not sure, contact your local pool service professional for advice.

TO SET THERMOSTAT, turn dial, pointing to desired temperature, marked on the plate, between 32°F and 45°F. Again, many variables must be considered before selecting the “turn ON” temperature of the Filter Pump and your local pool service professional is the best source of information. The Thermostat is factory set to turn OFF the Filter Pump when the ambient temperature rises 5°F above its set point.

TIME SWITCH OPERATING INSTRUCTIONS



1. TO SET "ON" AND "OFF" TIMES: Hold TRIPPERS against edge of CLOCK-DIAL, pointing to time (AM or PM) when ON and OFF operations are desired. Tighten tripper screws firmly.

- 2. TO SET TIME-OF-DAY:** Pull CLOCK-DIAL outward. Turn in either direction and align the exact time-of-day on the CLOCK-DIAL (the time now, when switch is being put into operation) to the pointer.
- **TO OPERATE SWITCH MANUALLY:** Move MANUAL LEVER below CLOCK-DIAL left or right as indicated by arrows. This will not affect the next operation.
 - **FOR MORE THAN ONE DAILY ON-OFF OPERATION:** Place additional tripper pairs on CLOCK-DIAL (order 156T1978A).
 - **IN CASE OF POWER FAILURE:** Reset CLOCK-DIAL to proper time of day. See step 2 above.

TROUBLESHOOTING

SYMPTOM	CAUSE(S)	CORRECTIVE ACTION
1. Time Switch will not keep time but dial is turning.	1a. Frequent power outages 1b. Wrong voltage/cycle 1c. Loose clock motor connections	Reset dial Change clock motor Check connections
2. Time Switch Dial stops at ON or OFF tripper.	2a. Loose tripper 2b. Bent dial 2c. Defective motor	Check/change tripper Check/change mechanism Change clock motor
3. Load is ON at all times -- dial is turning.	3a. Welded contacts 3b. Two ON-trippers on dial 3c. Defective mechanism	Change mechanism Change tripper Change mechanism
4. Dead clock motor. (Clock motor gears do not rotate.)	4a. Defective clock motor (open coil due to lightning or surge) 4b. Loose clock motor connections 4c. Wrong voltage	Change clock motor Check connections Change clock motor
5. Filter Pump will not start when temp. is below 32°F.	5a. Defective thermostat 5b. Defective relay 5c. Faulty wiring 5d. Power outage	Replace thermostat Replace relay Check wiring Install stand-by power

Freeze Controls

PF1100 & PF1200 Series Multi-Circuit Freeze Protection Control Centers & Panels

These heavy-duty Freeze Protection Controls are designed specifically for pools requiring one or two time switches and protect the pool and spa equipment and plumbing against freeze damage. They turn the pump and heater ON when the outdoor temperature drops below the temperature set by the user-adjustable thermostat. In addition, they have a provision to install switches inside or GFCI receptacle on the side of enclosure.

Applications:

- Filter Pumps
- Filter Pump Booster Pump
- Fountains
- Combinations
- Pool-Spa Combinations

Specifications:

PF1112T, PF1202T

Enclosure: 0.048 in. steel with electrostatically applied light beige finish
12 in. (30.5 cm) H x 12 in. (30.5 cm) W x 4¼ in. (10.8 cm) D

Knockouts: Five combination ½ – ¾ in. and two combination ¾ – 1 in. knockouts on the bottom. One combination ½ – ¾ in. on the left side and one combination ¾ – 1 in. on the back. One knockout 1¾ x 2¾ in. on the right side for mounting switches or GFCI

Center Rating: 92 Amp per leg, 168 Amp Max. 120, 240 VAC or 120, 240 VAC single phase, 60 Hz.

Electrical Rating: See table

Thermostat Range: 44°F – 32°F with 5 degrees differential

Shipping Weight: See table

PF1222TB

Enclosure: 0.048 in. steel with electrostatically applied beige finish
16½ in. (41.9 cm) H x 10⅜ in. (27.6 cm) W x 4¼ in. (10.8 cm) D,

Knockouts: Two ½ in., three combination ½ – ¾ in., and two combination ¾ – 1 in. knockouts on the bottom. Four ½ in., three combination ½ – ¾ in. on the back. One combination ¾ – 1 in. on the left side. One 1¾ x 2¾ in. knockout on the right side for mounting switches and GFCI

Panel Rating: 85 Amp max., 120, 240 VAC or 120, 208 VAC single phase, 60 Hz

Electrical Rating: See table

Thermostat Range: 44°F – 32°F with 5 degrees differential

Shipping Weight: See table

Agency Approval: CSA/C-US

Model #	Description	Electrical Input	Rating HP	Shipping Weight
PF1112T	For pools requiring one time switch	240 VAC	3	8.0 lbs (3.6 kg)
PF1202T	For pools with cleaner, requiring two time switches	240 VAC	3	10.0 lbs (4.5 kg)
PF1222TB	Same as a PF1202T with 4/8 breaker base and heater protection	240 VAC	3	17.0 lbs (7.7 kg)

For additional trippers (1 ON 1 OFF per pack), Order No. 156T1978A.

For additional OFF trippers (25 OFF per pack), Order No. PA115.

For stand-offs for décor knockouts (4 stand-offs per pack), order No. 21T156A.

Note: See page 130 for a detailed list of T100M replacement mechanisms and page 140 for freeze switch mechanisms.

See pages 122-124 for digital freeze protection devices.



PF1112T



PF1202T



PF1222TB

